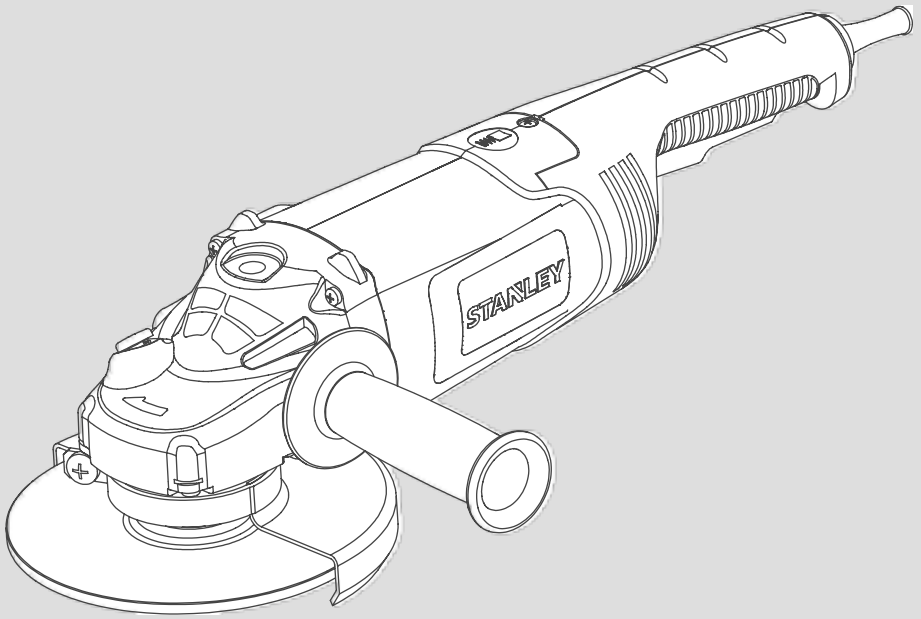


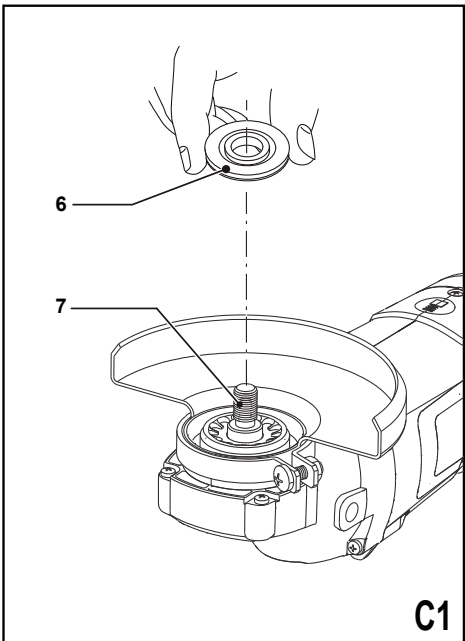
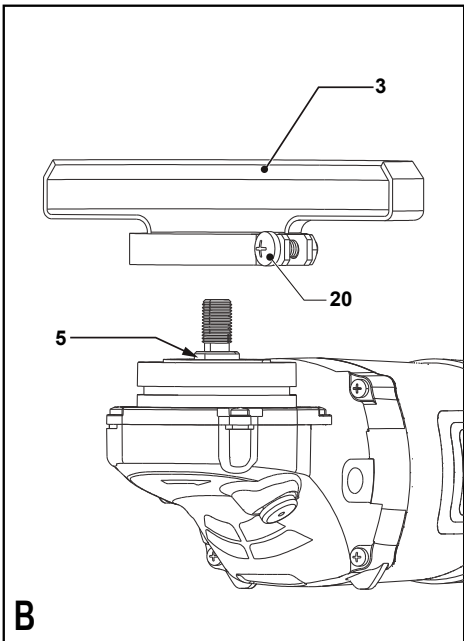
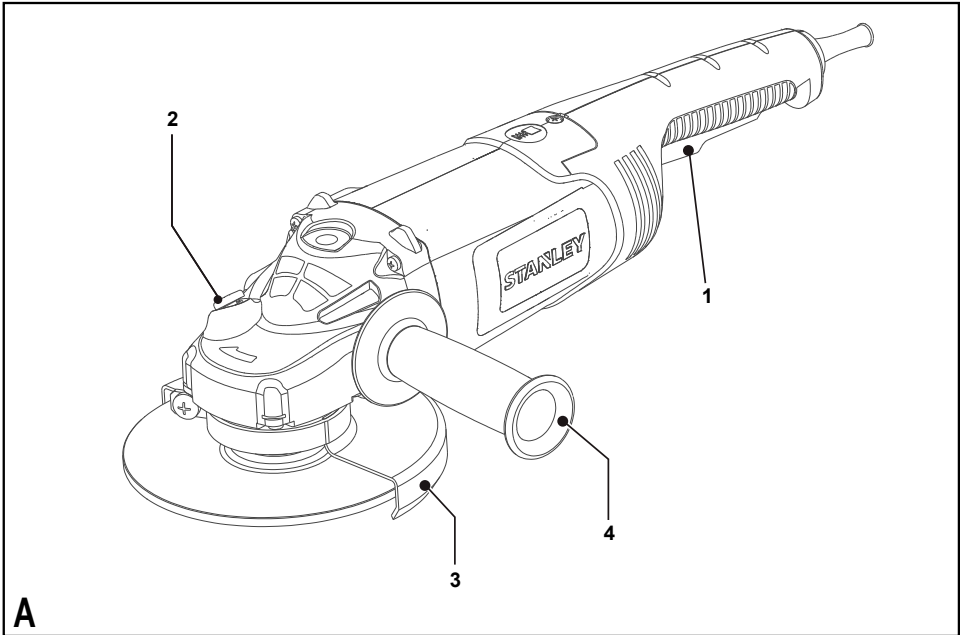
STANLEY

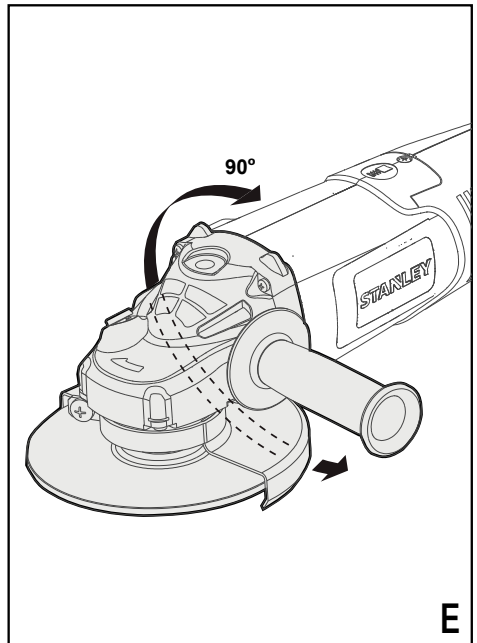
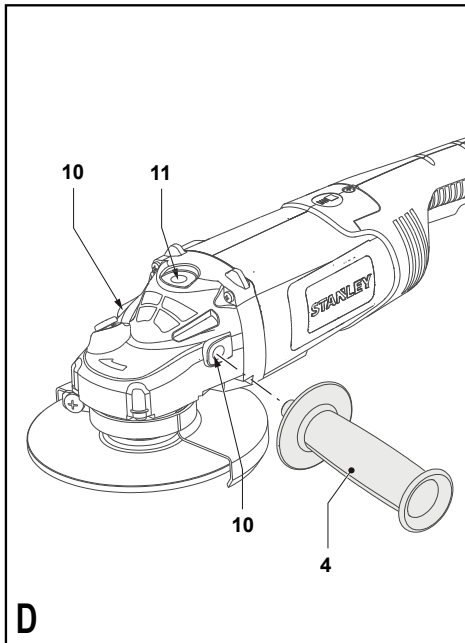
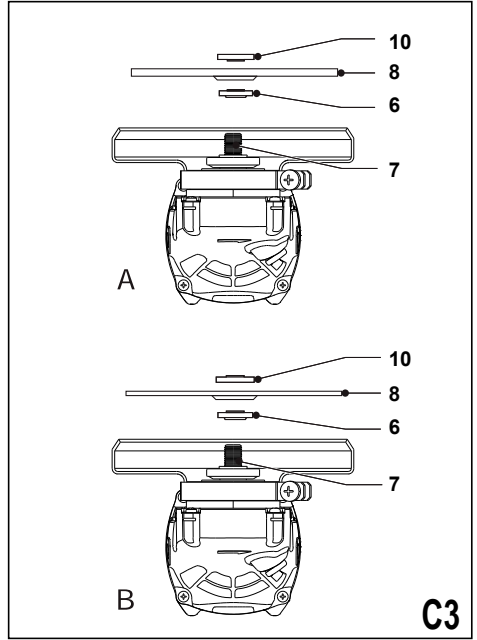
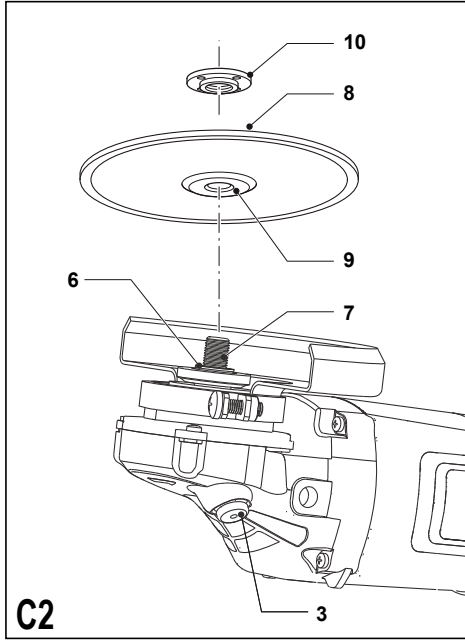


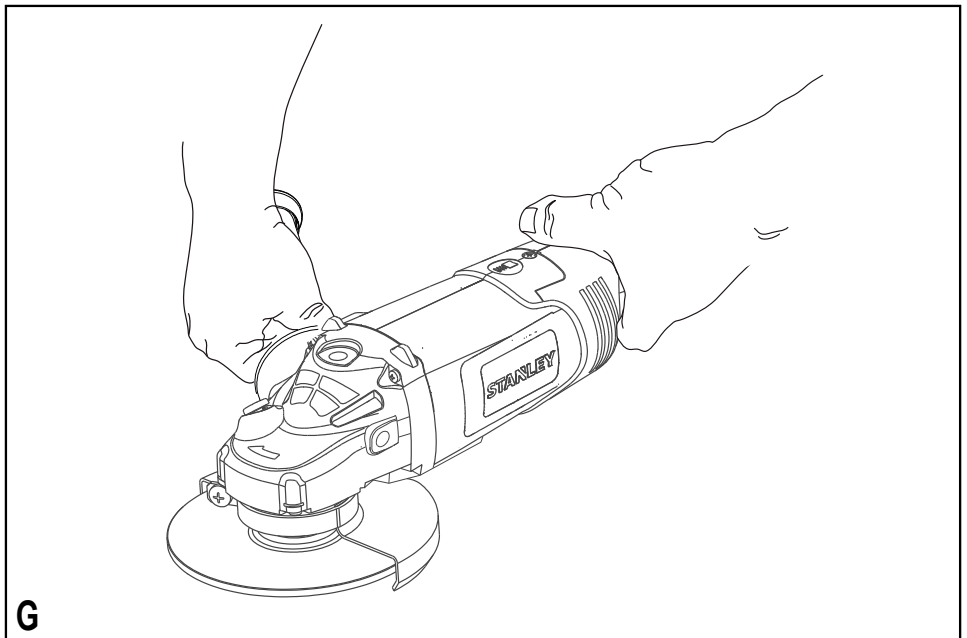
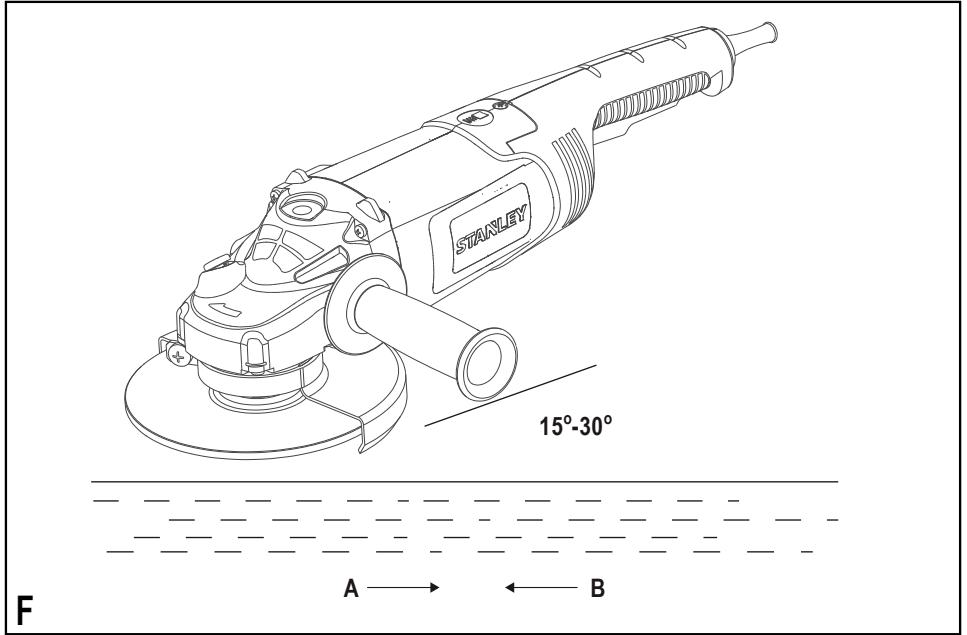
STGL2018
STGL2218

English
Turkish

Page 5
Page 14







Specifications

		STGL2018	STGL2218
Input voltage	V _{AC}	220-240	220-240
Power input	W	2000	2200
Frequency	Hz	50/60	50/60
No-load speed	min ⁻¹	8500	8500
Wheel diameter	mm	180	180
Spindle size		M14	M14
Max disc thickness			
Grinding discs	mm	6.6	6.6
Weight	kg	4.9	5.9

Definitions: Safety Guidelines

The definitions below describe the level of severity for each signal word. Please read the manual and pay attention to these symbols.



Danger: Indicates an imminently hazardous situation which, if not avoided, will result in death or serious injury.



Warning: Indicates a potentially hazardous situation which, if not avoided, could result in death or serious injury.



Caution: Indicates a potentially hazardous situation which, if not avoided, may result in minor or moderate injury.

Notice: Indicates a practice not related to personal injury which, if not avoided, may result in property damage.



Denotes risk of electric shock.



Denotes risk of fire.



Warning: To reduce the risk of injury, read the instruction manual.

General power tool safety warnings



Warning! Read all safety warnings and all instructions. Failure to follow the warnings and instructions may result in electric shock, fire and/or serious injury.

Save all warnings and instructions for future reference

The term "power tool" in the warnings refers to your mains-operated (corded) power tool or battery-operated (cordless) power tool.

1) Work area safety

- Keep work area clean and well lit.** Cluttered or dark areas invite accidents.
- Do not operate power tools in explosive atmospheres, such as in the presence of flammable liquids, gases or dust.** Power tools create sparks which may ignite the dust or fumes.
- Keep children and bystanders away while operating a power tool.** Distractions can cause you to lose control.

2) Electrical safety

- Power tool plugs must match the outlet. Never modify the plug in any way. Do not use any adapter plugs with earthed (grounded) power tools.** Unmodified plugs and matching outlets will reduce risk of electric shock.
- Avoid body contact with earthed or grounded surfaces such as pipes, radiators, ranges and refrigerators.** There is an increased risk of electric shock if your body is earthed or grounded.
- Do not expose power tools to rain or wet conditions.** Water entering a power tool will increase the risk of electric shock.
- Do not abuse the cord. Never use the cord for carrying, pulling or unplugging the power tool. Keep cord away from heat, oil, sharp edges or moving parts.** Damaged or entangled cords increase the risk of electric shock.
- When operating a power tool outdoors, use an extension cord suitable for outdoor use.** Use of a cord suitable for outdoor use reduces the risk of electric shock.
- If operating a power tool in a damp location is unavoidable, use a residual current device (RCD) protected supply.** Use of an RCD reduces the risk of electric shock.

3) Personal safety

- Stay alert, watch what you are doing and use common sense when operating a power tool. Do not use a power tool while you are tired or under the influence of drugs, alcohol or medication.** A moment of inattention while operating power tools may result in serious personal injury.

- b) **Use personal protective equipment. Always wear eye protection.** Protective equipment such as dust mask, non-skid safety shoes, hard hat, or hearing protection used for appropriate conditions will reduce personal injuries.
- c) **Prevent unintentional starting. Ensure the switch is in the off position before connecting to power source and/or battery pack, picking up or carrying the tool.** Carrying power tools with your finger on the switch or energising power tools that have the switch on invites accidents.
- d) **Remove any adjusting key or wrench before turning the power tool on.** A wrench or a key left attached to a rotating part of the power tool may result in personal injury.
- e) **Do not overreach. Keep proper footing and balance at all times.** This enables better control of the power tool in unexpected situations.
- f) **Dress properly. Do not wear loose clothing or jewellery. Keep your hair, clothing and gloves away from moving parts.** Loose clothes, jewellery or long hair can be caught in moving parts.
- g) **If devices are provided for the connection of dust extraction and collection facilities, ensure these are connected and properly used.** Use of dust collection can reduce dust-related hazards.
- #### 4) Power tool use and care
- a) **Do not force the power tool. Use the correct power tool for your application.** The correct power tool will do the job better and safer at the rate for which it was designed.
- b) **Do not use the power tool if the switch does not turn it on and off.** Any power tool that cannot be controlled with the switch is dangerous and must be repaired.
- c) **Disconnect the plug from the power source and/or the battery pack from the power tool before making any adjustments, changing accessories, or storing power tools.** Such preventive safety measures reduce the risk of starting the power tool accidentally.
- d) **Store idle power tools out of the reach of children and do not allow persons unfamiliar with the power tool or these instructions to operate the power tool.** Power tools are dangerous in the hands of untrained users.
- e) **Maintain power tools. Check for misalignment or binding of moving parts, breakage of parts and any other condition that may affect the power tool's operation. If damaged, have the power tool repaired before use.** Many accidents are caused by poorly maintained power tools.
- f) **Keep cutting tools sharp and clean.** Properly maintained cutting tools with sharp cutting edges are less likely to bind and are easier to control.
- g) **Use the power tool, accessories and tool bits etc., in accordance with these instructions taking into account the working conditions and the work to be performed.** Use of the power tool for operations different from those intended could result in a hazardous situation.
- #### 5) Service
- a) **Have your power tool serviced by a qualified repair person using only identical replacement parts.** This will ensure that the safety of the power tool is maintained.

Additional specific safety rules

Safety instructions for all operations

Safety warnings common for grinding

- a) **This power tool is intended to function as a grinder. Read all safety warnings, instructions, illustrations and specifications provided with this power tool.** Failure to follow all instructions listed below may result in electric shock, fire and/or serious injury.
- b) **Operations such as cutting-off, sander, wire brush or polisher are not recommended to be performed with this power tool.** Operations for which the power tool was not designed may create a hazard and cause personal injury.
- c) **Do not use accessories which are not specifically designed and recommended by the tool manufacturer.** Just because the accessory can be attached to your power tool, it does not assure safe operation.
- d) **The rated speed of the accessory must be at least equal to the maximum speed marked on the power tool.** Accessories running faster than their rated speed can break and fly apart.
- e) **The outside diameter and the thickness of your accessory must be within the capacity rating of your power tool.** Incorrectly sized accessories cannot be adequately guarded or controlled.

- f) **The arbour size of wheels, flanges, backing pads or any other accessory must properly fit the spindle of the power tool.** Accessories with arbour holes that do not match the mounting hardware of the power tool will run out of balance, vibrate excessively and may cause loss of control.
- g) **Do not use a damaged accessory. Before each use inspect the accessory such as abrasive wheel for chips and cracks, backing pad for cracks, tear or excess wear, wire brush for loose or cracked wires. If power tool or accessory is dropped, inspect for damage or install an undamaged accessory. After inspecting and installing an accessory, position yourself and bystanders away from the plane of the rotating accessory and run the power tool at maximum no-load speed for one minute.** Damaged accessories will normally break apart during this test time.
- h) **Wear personal protective equipment. Depending on application, use face shield, safety goggles or safety glasses. As appropriate, wear dust mask, hearing protectors, gloves and workshop apron capable of stopping small abrasive or workpiece fragments.** The eye protection must be capable of stopping flying debris generated by various operations. The dust mask or respirator must be capable of filtering particles generated by your operation. Prolonged exposure to high intensity noise may cause hearing loss.
- i) **Keep bystanders a safe distance away from work area. Anyone entering the work area must wear personal protective equipment.** Fragments of workpiece or of a broken accessory may fly away and cause injury beyond immediate area of operation.
- j) **Hold the power tool by insulated gripping surfaces only, when performing an operation where the cutting accessory may contact hidden wiring or its own cord.** Cutting accessory contacting a "live" wire may make exposed metal parts of the power tool "live" and could give the operator an electric shock.
- k) **Position the cord clear of the spinning accessory.** If you lose control, the cord may be cut or snagged and your hand or arm may be pulled into the spinning accessory.
- l) **Never lay the power tool down until the accessory has come to a complete stop.** The spinning accessory may grab the surface and pull the power tool out of your control.
- m) **Do not run the power tool while carrying it at your side.** Accidental contact with the spinning accessory could snag your clothing, pulling the accessory into your body.
- n) **Regularly clean the power tool's air vents.** The motor's fan will draw the dust inside the housing and excessive accumulation of powdered metal may cause electrical hazards.
- o) **Do not operate the power tool near flammable materials.** Sparks could ignite these materials.
- p) **Do not use accessories that require liquid coolants.** Using water or other liquid coolants may result in electrocution or shock.

Further safety instructions for all operations

Kickback and Related Warnings

Kickback is a sudden reaction to a pinched or snagged rotating wheel, backing pad, brush or any other accessory. Pinching or snagging causes rapid stalling of the rotating accessory which in turn causes the uncontrolled power tool to be forced in the direction opposite of the accessory's rotation at the point of the binding.

For example, if an abrasive wheel is snagged or pinched by the workpiece, the edge of the wheel that is entering into the pinch point can dig into the surface of the material causing the wheel to climb out or kick out. The wheel may either jump toward or away from the operator, depending on direction of the wheel's movement at the point of pinching. Abrasive wheels may also break under these conditions. Kickback is the result of tool misuse and/or incorrect operating procedures or conditions and can be avoided by taking proper precautions as given below:

- a) **Maintain a firm grip on the power tool and position your body and arm to allow you to resist kickback forces. Always use auxiliary handle, if provided, for maximum control over kickback or torque reaction during start up.** The operator can control torque reaction or kickback forces, if proper precautions are taken.
- b) **Never place your hand near the rotating accessory.** Accessory may kickback over your hand.
- c) **Do not position your body in the area where power tool will move if kickback occurs.** Kickback will propel the tool in direction opposite to the wheel's movement at the point of snagging.
- d) **Use special care when working corners, sharp edges etc. Avoid bouncing and snagging the accessory.** Corners, sharp edges or bouncing have a tendency to snag the rotating accessory and cause loss of control or kickback.

- e) Do not attach a saw chain woodcarving blade or toothed saw blade. Such blades create frequent kickback and loss of control.

Safety Warnings Specific for Grinding Operations

- a) Use only wheel types that are recommended for your power tool and the specific guard designed for the selected wheel. Wheels for which the power tool was not designed cannot be adequately guarded and are unsafe.
- b) The guard must be securely attached to the power tool and positioned for maximum safety, so the least amount of wheel is exposed towards the operator. The guard helps to protect operator from broken wheel fragments and accidental contact with wheel and sparks that could ignite clothing.
- c) Wheels must be used only for recommended applications. For example: do not grind with the side of cut-off wheel. Abrasive cut-off wheels are intended for peripheral grinding, side forces applied to these wheels may cause them to shatter.
- d) Always use undamaged wheel flanges that are of correct size and shape for your selected wheel. Proper wheel flanges support the wheel thus reducing the possibility of wheel breakage. Flanges for cut-off wheels may be different from grinding wheel flanges.
- e) Do not use worn down wheels from larger power tools. Wheel intended for larger power tool is not suitable for the higher speed of a smaller tool and may burst.

Residual Risks

In spite of the application of the relevant safety regulations and the implementation of safety devices, certain residual risks cannot be avoided. These are:

- Impairment of hearing
- Risk of personal injury due flying particles.
- Risk of burns due to accessories becoming hot during operation.
- Risk of personal injury due to prolonged use.
- Risk of dust from hazardous substances.

Vibration

The declared vibration emission values stated in the










technical data and the declaration of conformity have been measured in accordance with a standard test method provided by EN 60745 and may be used for comparing one tool with another. The declared vibration emission value may also be used in a preliminary assessment of exposure.

Warning! The vibration emission value during actual use of the power tool can differ from the declared value depending on the ways in which the tool is used. The vibration level may increase above the level stated.

When assessing vibration exposure to determine safety measures required by 2002/44/EC to protect persons regularly using power tools in employment, an estimation of vibration exposure should consider, the actual conditions of use and the way the tool is used, including taking account of all parts of the operating cycle such as the times when the tool is switched off and when it is running idle in addition to the trigger time.

Labels on tool

The label on your tool may include the following symbols:

	Read Instructions Manual	Hz Hertz		Class II Construction
	Use Eye Protection	W Watts		Earthing Terminal
	Use Ear Protection	min minutes		Safety Alert Symbol
		 Alternating Current		Revolutions or Reciprocation per minute
		 Direct Current		
V Volts		n ₀ No-Load Speed		
A Amperes				

Position of date barcode

The Date Code, which also includes the year of manufacture, is printed into the housing.

Example:

2014 XX JN
Year of manufacturing

Package Content

This product package includes:

- 1 Angle grinder
 - 1 Guard
 - 1 Flange set
 - 1 Spanner
 - 1 Handle
 - 1 Instruction manual
- Check the tool, parts, and accessories to see if they are damaged during transportation.
 - Take a few moments to read and understand this manual before using the tool.

Description (Fig. 1)



Warning: Never modify the power tool or any part of the tool, otherwise it may cause damage to the tool or result in personal injury.

- a. ON/OFF switch
- b. Spindle lock
- c. Guard

Purpose of design

This angle grinder is designed especially for grinding. Do not use sandpaper discs and grinding wheels other than those with depressed center.

Do not use the tool in wet conditions or environments in the presence of flammable liquids or gases.

This heavy-duty angle grinder is a professional power tool.

Do not allow children to come in contact with this tool.

Inexperienced operators are required to use this tool under supervision.

Electrical Equipment Safety



Only one voltage is applicable to this tool. Be sure to check that the power supply corresponds to the voltage on the rating plate. Your STANLEY tool is equipped with double insulation, hence, it does not require to be earthed.

When the power cord is damaged, have it sent to a STANLEY service center for replacement to specially prepared cables.

Using Extension Cords

If an extension cord is required, please select a 3-phase extension cord that has been inspected and matches the input power (see Technical Data) of this tool. The minimum conductor size is 1.5mm², maximum length is 30 meters. When using a cable reel, be sure to pull out all the cables.

Assembly and Adjustment



Warning: To minimize the danger of serious personal injury, please switch off the tool power and disconnect all plugs before adjusting or removing/installing any accessory. Before reassembling the tool, press and release the trigger switch to make sure the tool is already switched off.

Attaching and Removing the Wheel Guard (Fig. B)



Warning To minimize the danger of serious

personal injury, please switch off the tool power and disconnect all plugs before adjusting or removing/installing any accessory. Before reassembling the tool, press and release the trigger switch to make sure the tool is already switched off.

Attaching the guard

1. Place the angle grinder on a work bench, groove facing up.
2. Bring the flange of the guard (3) collar over the groove (11) of the gear housing.
3. Turn the guard (4) counterclockwise by 150 degrees.
4. Make sure that the screws (20) are tightened.

Removing the guard

1. Loosen the screws (20) on the guard collar.
2. Pull up the guard (3).



Warning: Do not operate the tool when the safety guard is not in place.

Fitting and removing a grinding (Fig. C1, C2, C3)



Warning: Do not use damaged grinding wheels.

1. Place the tool on a work bench, guard up.
2. Fit the inner flange (6) correctly onto the spindle (7) (Fig. C1).
3. Place the disc (8) on the flange (6) (Fig. C2). When fitting a disc with a raised center, make sure that the raised centre (9) is facing the flange (6).
4. Screw the out flange (10) onto the spindle (7) (Fig. C3)
 - the ring on the flange (10) must face towards the disc when fitting a grinding disc (A)
 - the ring on the flange (10) must face away from the disc when fitting a cutting disc (B)
5. Press the spindle lock (2) and rotate the spindle (7) until it locks in position (Fig. C2).
6. Tighten the flange (10) with the two-pin spanner supplied.
7. Release the spindle lock.
8. To remove the disc, loosen the flange (10) with the two-pin spanner.



Warning: Do not use a damaged disc.

Mounting the side handle (Fig.D)

- For grinding, screw the side handle (4) tightly into one of the holes (11) or (12) on either side of the gear case.

Preparation Before Use

- Attach the safety guard and appropriate abrasive or grinding wheels. Do not use abrasive or grinding wheels that are overly worn.
- Make sure that the inner and outer flanges are attached correctly.
- Make sure that the abrasive or grinding wheels are rotating in the direction of the arrows on the accessories and tool.

Operation (Fig. F)

Instructions



Warning: Always observe the safety instructions and applicable regulations.



Warning: To minimize the danger of serious personal injury, please switch off the tool power and disconnect all plugs before adjusting or removing/installing any accessory. Before reassembling the tool, press and release the trigger switch to make sure the tool is already switched off.



Warning:

- Make sure all materials to be grinded are secured in position.

Use clamps or a vice to hold and support the workpiece to a stable platform. It is important to clamp and support the workpiece securely to prevent the movement of the workpiece and loss of control. Movement of the workpiece or loss of control may create a hazard and cause personal injury

- Secure the workpiece. A workpiece clamped with clamping devices or in a vice is held more secure than by hand.
 - Support panels or any oversized workpiece to minimize the risk of wheel pinching and kickback. Large workpieces tend to sag under their own weight. Supports must be placed under the workpiece near the line of cut and near the edge of the workpiece on both sides of the wheel.
 - Apply slight pressure to the tool. Do not apply side pressure to the abrasive disc.
 - Avoid overloading. If the tool becomes hot, let it spin for a few minutes with no load.
1. Be sure to hold the tool tightly with both hands (one hand on housing, the other on side handle). Start the tool and bring the grinding wheel on the workpiece.

2. Keep the edge of the wheel tilted at angle from 15 to 30 degrees against the surface of the workpiece.
3. When using a new grinding wheel, do not operate the wheel in the B direction, otherwise, it will cut into the workpiece. When the edge of wheel has been rounded off, you are free to operate the grinder in either the A or B direction.

Starting and Stopping (Fig. A)



Warning: Before using the tool, check whether the handle is tightened securely. Check whether the ON/OFF switch is working normally.

Before plugging in the tool to the power supply, check whether the switch is in the OFF position when pressing the rear end of the switch.

To start the tool, press the rear end of the switch and slide it forward. Press the rear end of the switch to stop the tool.



Warning: Do not switch the tool on or off while under load conditions.

Proper Hand Position (Fig. G)



Warning: To reduce the risk of serious personal injury, ALWAYS use proper hand position as shown.



Warning: To reduce the risk of serious personal injury, ALWAYS hold securely in anticipation of a sudden reaction.

Proper hand position requires one hand on the side handle (figure A), with the other hand on the body of the tool, as shown in figure G.

Switches



Caution: Hold the body of the tool firmly to maintain control of the tool at start up and during use and until the wheel or accessory stops rotating. Make sure the wheel has come to a complete stop before laying the tool down.

Note: To reduce unexpected tool movement, do not switch the tool on or off while under load conditions. Allow the grinder to run up to full speed before touching the work surface. Lift the tool from the surface before turning the tool off. Allow the tool to stop rotating before putting it down.

ON/OFF switch (1) Fig. A)



Warning: Before connecting the tool to a power supply, be sure the slider switch is in the off position by pressing the front part of the switch and releasing. Ensure the slider switch is in the off position as described above after any interruption in power supply to the tool, such as the activation of a ground fault interrupter, throwing of a circuit breaker, accidental unplugging, or power failure.

To start the tool, slide the slider switch 1 toward the front of the tool and press, the tool will keep running. Release pressure from the switch and the tool will stop.

Feature of the ON/OFF switch

Slide slider switch 1 to the front of the tool and press, and the tool will start. When releasing the switch, keep the switch pressed down and push it to the front of the tool, and the tool will keep running. To turn off the tool, press the front portion of the switch to release it. The switch will spring up, which means that the tool is in the off-state.

Explanation: Before coming into contact with the object you are working on, make sure the abrasive wheel is turning at maximum speed. Before turning off the tool, lift the tool up from the object you are working on.



Caution: Make sure the abrasive wheel is completely stopped before putting down the tool.

Rotating the Gear Case (fig. E)

The gear case is mounted onto the tool casing, and it can be rotated to give the user a more comfortable experience while cutting.

The rotating gear case can be turned 90 degrees, 180 degrees, and 270 degrees to the left or to the right.

- Loosen the four screws on the gear case.
- Rotate the gear case till it reaches its ideal location.
- Tighten the four screws on the gear case.
- Ensure that the rotating mechanism is locked.



Warning: Do NOT use the tool when the gear case is unlocked.

Application on Metals

When applying the tool on metals, make sure that a residual-current device (RCD) is inserted to prevent danger from metal chips.

If the RCD causes power disconnection, have the tool sent to an authorized STANLEY dealer for repair.



Warning: Under extreme working conditions, conductive dust and grit may accumulate on the housing interior when handling metal workpieces. This could create an electric shock hazard as it weakens the protective insulation in the grinder.

To avoid accumulation of metal chips in the interior of the grinder, we recommend cleaning the ventilation ducts daily. Refer to Maintenance.

Using Grinding Wheels



Warning: Metal powder accumulates. Excessive use of the grinding wheel on metals may increase

the risk of electric shock. To reduce the risk, insert the RCD before use and clean the ventilation ducts daily. Follow the maintenance instructions below to blow dry compressed air into the ventilation ducts.

Maintenance

STANLEY power tools have been designed to operate over a long period of time with minimal maintenance. Continuous satisfactory operation depends upon proper tool care and regular cleaning.



Warning: To minimize the danger of serious personal injury, please switch off the tool power and disconnect all plugs before adjusting or removing/installing any accessory. Before reassembling the tool, press and release the trigger switch to make sure the tool is already switched off.



Lubrication

This power tool does not require separate lubrication.



Cleaning



Warning: Once visible dust accumulates on the ventilation ducts and the surrounding, immediately use dry air to blow away dust and grit out of the interior of the housing. You need to wear approved eye and facial protective gear when performing this process.



Warning: Never use solvents or harsh chemicals to clean non-metal parts of the tool. These chemicals may weaken the material of the parts. Use only mild soap and damp cloth to clean the tool. Never let any liquid get inside the tool; never immerse any part of the tool into liquid.

Accessories



Warning: Excluding accessories provided by STANLEY, all other accessories have not been tested for product compatibility. Using such accessories together with this tool may cause safety hazards. To minimize the risk of personal injury, we recommend you to use only STANLEY accessories with this product. Please inquire at your dealer for more information regarding suitable accessories.

Remarks

- STANLEY's policy is one of continuous improvement to our products and as such, we reserve the right to modify product specifications without prior notice.
- Standard equipment and accessories may vary by country.
- Product specifications may differ by country.
- Complete product range may not be available in all countries. Contact your local STANLEY dealers for range availability.

Protecting the environment



Separate collection. This product must not be disposed of with normal household waste.

Should you find one day that your STANLEY product needs replacement, or if it is of no further use to you, do not dispose of it with household waste. Make this product available for separate collection.



Separate collection of used products and packaging allows materials to be recycled and used again.

Re-use of recycled materials helps prevent environmental pollution and reduces the demand for raw materials.

Local regulations may provide for separate collection of electrical products from the household, at municipal waste sites or by the retailer when you purchase a new product. STANLEY provides a facility for the collection and recycling of STANLEY products once they have reached the end of their working life. To take advantage of this service please return your product to any authorised repair agent who will collect them on our behalf.

You can check the location of your nearest authorised repair agent by contacting your local Stanley office at the address indicated in this manual. Alternatively, a list of authorised STANLEY repair agents and full details of our after-sales service and contacts are available on the Internet at: www.2helpU.com

STGL2018

L_{pA} (sound pressure)	dB(A)	92.5
K_{pA} (sound pressure uncertainty)	dB(A)	3
L_{WA} (sound power)	dB(A)	103.5
K_{WA} (sound power uncertainty)	dB(A)	3
Vibration emission value ah (surface grinding)		
$a_{h.AG=}$	m/s ²	8
Uncertainty K =	m/s ²	1.5

STGL2218

L_{pA} (sound pressure)	dB(A)	92
K_{pA} (sound pressure uncertainty)	dB(A)	3
L_{WA} (sound power)	dB(A)	103
K_{WA} (sound power uncertainty)	dB(A)	3
Vibration emission value ah (surface grinding)		
$a_{h.AG=}$	m/s ²	6.9
Uncertainty K =	m/s ²	1.5

EC declaration of conformity
MACHINERY DIRECTIVE



STGL2018/STGL2218

STANLEY declares that these products described under "technical data" are in compliance with:
2006/42/EC, EN 60745-1, EN 60745-2-3

These products also comply with Directive 2014/30/EU and 2011/65/EU. For more information, please contact STANLEY at the following address or refer to the back of the manual.

The undersigned is responsible for compilation of the technical file and makes this declaration on behalf of STANLEY.

A handwritten signature in black ink, appearing to read 'R. Laverick', written over a light blue horizontal line.

R.Laverick
Engineering Manager
STANLEY, Europe, Egide Walschaertsstraat14-18,
2800 Mechelen, Belgium

Service Information

STANLEY offers a full network of authorized service locations. All STANLEY Service Centers are staffed with trained personnel to provide customers with efficient and reliable power tool service. For more information about our authorized service centers and if you need technical advice, repair, or genuine factory replacement parts, contact the STANLEY location nearest you.

Two years warranty

If your STANLEY product becomes defective due to faulty materials or workmanship within 24 months from the date of purchase, STANLEY guarantees to replace all defective parts free of charge or – at our discretion – replace the unit free of charge provided that:

- The product has not been misused and has been used in accordance with the instruction manual.
- The product has been subject to fair wear and tear;
- Repairs have not been attempted by unauthorised persons;
- Proof of purchase is produced.
- The STANLEY product is returned complete with all original components

If you wish to make a claim, contact your seller or check the location of your nearest authorised STANLEY repair agent in the STANLEY catalogue or contact your local STANLEY office at the address indicated in this manual. A list of authorised STANLEY repair agents and full details of our after sales service is available on the internet at:www.stanleytools.com

Teknik özellikler

	STGL2018	STGL2218
Voltaj	V _{AC} 220-240	220-240
Giriş gücü	W 2000	2200
Frekans	Hz 50/60	50/60
Yüksüz hızı	dev/dak 8500	8500
Disk çapı	mm 180	180
Mil çapı	M14	M14
Taşıma diski kalınlığı		
Taşıma diskleri	mm 6.6	6.6
Ağırlık	kg 4.9	5.9

Tanımlar: Güvenlik talimatları

Aşağıdaki tanımlar her işaret sözcüğü ciddiyet derecesini gösterir. Lütfen kılavuzu okuyunuz ve bu simgelere dikkat ediniz.



Tehlike: Engellenmemesi halinde ölüm veya ciddi yaralanma ile sonuçlanabilecek çok yakın bir tehlikeli durumu gösterir.



Uyarı: Engellenmemesi halinde ölüm veya ciddi yaralanma ile sonuçlanabilecek potansiyel bir tehlikeli durumu gösterir.



Uyarı: Engellenmemesi halinde önemsiz veya orta dereceli yaralanma ile sonuçlanabilecek potansiyel bir tehlikeli durumu gösterir.

İkaz: Engellenmemesi halinde maddi hasara neden olabilecek, yaralanma ile ilişkisi olmayan durumları gösterir.



Elektrik çarpması riskine işaret eder.



Yangın riskini belirtir.



Uyarı: Yaralanma riskini azaltmak için, kullanım kılavuzunu okuyun.

Genel elektrikli alet güvenlik uyarıları



Uyarı! Bütün güvenlik uyarılarını ve talimatlarını mutlaka okuyun. Bu uyarılar ve talimatların herhangi birisine uyulmaması elektrik çarpması, yangın ve/veya ciddi yaralanma riskine neden olabilir.

Bütün uyarı ve güvenlik talimatlarını ilerde bakmak üzere saklayın

Uyarılarda yer alan «elektrikli alet» terimi şebeke elektriğiyle (kablolu) veya akü/pille (şarjlı) çalışan elektrikli aletinizi ifade etmektedir.

1) Çalışma alanının güvenliği

- Çalışma alanını temiz ve aydınlık tutun.** Karışık veya karanlık alanlar kazaya davetiye çıkarır.
- Elektrikli aletleri, yanıcı sıvılar, gazlar ve tozların bulunduğu yerler gibi yanıcı ortamlarda çalıştırmayın.** Elektrikli aletler, toz veya dumanları ateşleyebilecek kıvılcımlar çıkarır.
- Bir elektrikli aleti çalıştırırken çocuklardan ve etraftaki kişilerden uzak tutun.** Dikkatinizi dağıtıcı şeyler kontrolü kaybetmenize neden olabilir.

2) Elektrik güvenliği

- Elektrikli aletlerin fişleri prizlere uygun olmalıdır. Fiş üzerinde kesinlikle hiçbir değişiklik yapmayın. Topraklı elektrikli aletlerde hiçbir adaptör fişi kullanmayın.** Değiştirilmemiş fişler ve uygun prizler elektrik çarpması riskini azaltacaktır.
- Borular, radyatörler, ocaklar ve buzdolapları gibi topraklanmamış yüzeylerle vücut temasından kaçının.** Vücudunuzun topraklanması halinde yüksek bir elektrik çarpması riski vardır.
- Elektrikli aletleri yağmura maruz bırakmayın veya ıslatmayın.** Elektrikli alete su girmesi elektrik çarpması riskini arttıracaktır.
- Elektrik kablosunu uygun olmayan amaçlarla kullanmayın. Elektrikli aleti kesinlikle kablosundan tutarak taşımayın, çekmeyin veya prizden çıkartmayın. Kabloyu sıcaktan, yağdan, keskin kenarlardan veya hareketli parçalardan uzak tutun.** Hasarlı veya dolaşmış kablolar elektrik çarpması riskini artırır.

e) **Elektrikli bir aleti açık havada çalıştırıyorsanız, açık havada kullanıma uygun bir uzatma kablosu kullanın.** Açık havada kullanıma uygun bir kablunun kullanılması elektrik çarpması riskini azaltır.

f) **Eğer bir elektrikli aletin nemli bir bölgede çalıştırılması zorunluysa, bir artık akım aygıtı (RCD) korumalı bir kaynak kullanın.** Bir RCD kullanılması elektrik şoku riskini azaltır.

3) Kişisel güvenlik

a) **Elektrikli bir aleti kullanırken her zaman dikkatli olun, yaptığınız işe yoğunlaşın ve sağduyulu davranın. Elektrikli bir aleti yorgunken veya ilaç ya da alkolün etkisi altındayken kullanmayın.** Elektrikli aletleri kullanırken bir anlık dikkatsizlik ciddi kişisel yaralanmayla sonuçlanabilir.

b) **Kişisel koruyucu ekipmanları mutlaka kullanın. Daima koruyucu gözlük takın.** Koşullara uygun toz maskesi, kaymayan güvenlik ayakkabıları, baret veya kulaklık gibi koruyucu donanımların kullanılması kişisel yaralanmaları azaltacaktır.

c) **İstem dışı çalıştırılmasını önleyin. Aleti güç kaynağına ve/veya aküye bağlamadan, yerden kaldırmadan veya taşımadan önce düğmenin kapalı konumda olduğundan emin olun.** Aleti, parmağınız düğme üzerinde bulunacak şekilde taşımak veya açık konumdaki elektrikli aletleri elektrik şebekesine bağlamak kazaya davetiye çıkarır.

d) **Elektrikli aleti açmadan önce tüm ayarlamaları anahtarlarını çıkartın.** Elektrikli aletin hareketli bir parçasına takılı kalmış bir anahtar kişisel yaralanmaya neden olabilir.

e) **Ulaşmakta zorlandığınız yerlerde kullanmayın. Daima sağlam ve dengeli basın.** Bu, beklenmedik durumlarda elektrikli aletin daha iyi kontrol edilmesine olanak tanır.

f) **Uygun şekilde giyinin. Bol elbiseler giymeyin ve takı takmayın. Saçınızı, elbiselerinizi ve eldivenlerinizi hareketli parçalardan uzak tutun.** Bol elbiseler ve

takılar veya uzun saç hareketli parçalara takılabilir.

g) **Eğer kullandığınız üründe toz emme ve toplama özellikleri olan ataşmanlar varsa bunların bağlı olduğundan ve doğru şekilde kullanıldığından emin olun.** Bu toz toplama ataşmanların kullanılması tozla ilgili tehlikeleri azaltabilir.

4) Elektrikli aletlerin kullanımı ve bakımı

a) **Elektrikli aleti zorlamayın. Uygulamanız için doğru elektrikli aleti kullanın.** Doğru elektrikli alet, belirlendiği kapasite ayarında kullanıldığında daha iyi ve güvenli çalışacaktır.

b) **Düğme açmıyor ve kapatmıyorsa elektrikli aleti kullanmayın.** Düğmeyle kontrol edilemeyen tüm elektrikli aletler tehlikelidir ve tamir edilmesi gerekmektedir.

c) **Herhangi bir ayarlama, aksesuar değişimi veya elektrikli aletlerin saklanması öncesinde fişi güç kaynağından çekin ve/veya aküyü elektrikli aletten ayırın.** Bu tür önleyici güvenlik tedbirleri aletin istem dışı olarak çalıştırılması riskini azaltacaktır.

d) **Elektrikli aleti, çocukların ulaşamayacağı yerlerde saklayın ve elektrikli aleti tanımayan veya bu talimatları bilmeyen kişilerin elektrikli aleti kullanmasına izin vermeyin.** Elektrikli aletler, eğitimsiz kullanıcıların elinde tehlikelidir.

e) **Elektrikli aletleri iyi durumda muhafaza edin. Hareketli parçalardaki hizalama hatalarını ve tutuklukları, parçalardaki kırılmalar ve elektrikli aletin çalışmasını etkileyebilecek tüm diğer koşulları kontrol edin. Hasarlı ise, elektrikli aleti kullanmadan önce tamir ettirin.** Kazaların çoğu, elektrikli aletlerin bakımının yeterli şekilde yapılmamasından kaynaklanır.

f) **Kesim aletlerini keskin ve temiz tutun.** Bakımı uygun şekilde yapılmış keskin kesim uçlu kesim aletlerinin sıkışma ihtimali daha düşüktür ve kontrol edilmesi daha kolaydır.

g) Elektrikli aleti, aksesuarlarını ve aletin diğer parçalarını kullanırken bu talimatlara mutlaka uyun ve çalışma ortamının koşullarını ve yapılacak işin ne olduğunu göz önünde bulundurun. Elektrikli aletin öngörülen işlemler dışındaki işlemler için kullanılması tehlikeli durumlara neden olabilir.

5) Servis

a) Elektrikli aletinizi, sadece orijinal yedek parçaların kullanıldığı yetkili servise tamir ettirin. Bu, elektrikli aletin güvenliğini muhafaza edilmesini sağlayacaktır.

Özel ek güvenlik talimatları

Bütün uygulamalar için güvenlik talimatları

Taşlama uygulamaları için güvenlik talimatları

a) Bu elektrikli alet bir taşlama makinesi olarak kullanılmak üzere tasarlanmıştır. Bu elektrikli alet ile verilen tüm güvenlik uyarıları, talimatlar, resimli açıklamalar ve teknik özellikler okuyun. Aşağıda belirtilen tüm talimatların herhangi birisine uyulmaması elektrik çarpması, yangın ve/veya ciddi yaralanma riskine neden olabilir.

b) Zımparalama, fırçalama, polisaj veya kesme işleri bu elektrikli alet ile yapılması tavsiye edilmez. Elektrikli aletin tasarlanma amacı dışındaki işlemler tehlike ve kişisel yaralanmalara neden olabilir.

c) Üretici firma tarafından özel olarak tasarlanmamış ve tavsiye edilmemiş aksesuarları kullanmayın. Aksesuarın elektrikli aletinize takılabilir olması güvenli bir çalışma temin edeceği anlamına gelmemektedir.

d) Aksesuarın nominal hızı en az elektrikli alet üzerinde yazan maksimum hıza eşit olmalıdır. Nominal hızından daha hızlı çalışan aksesuarlar kırılabilir ve etrafa saçılabilir.

e) Aksesuarınızın dış çapı ve kalınlığı elektrikli aletinizin kapasite oranı içinde olmalıdır. Yanlış ebatlı aksesuarlar yeterli kadar korunamaz ve kontrol edilemez.

f) Disk, flanş, taban ya da diğer aksesuarların mil çapı elektrikli aletin miline tam olarak uymalıdır. Elektrikli aletin

montaj donanımına uymayan mil çapına sahip aksesuarlar dengesiz çalışır, aşırı titreşim yapar ve kontrolü kaybetmeye neden olabilir.

g) Hasar görmüş olan bir aksesuarı kullanmayın. Her kullanımdan önce aksesuarları inceleyin, örneğin diski talaş ve çatlaklara karşı, tabanı çatlak, kopma ya da aşırı kullanıma karşı, tel fırçayı gevşek ya da kırık tellere karşı kontrol edin. Elektrikli alet ya da aksesuar düşürülürse, hasar olup olmadığını kontrol edin ya da sağlam aksesuar takın. Aksesuarın incelenmesi ve monte edilmesinden sonra kendinizi ve etraftaki kişileri dönen aksesuarın düzleminden uzakta yerleştirin ve bir dakika boyunca elektrikli aleti boşta ve maksimum hızda çalıştırın. Bu test süresince hasarlı aksesuarlar normal olarak kırılarak dağılacaktır.

h) Kişisel koruyucu ekipmanları mutlaka kullanın. Uygulamaya bağlı olarak yüz kalkanı, koruyucu gözlük ya da güvenlik gözlükleri kullanın. Yeri geldiğinde küçük aşındırıcı maddeleri ya da işleme tabi tutulan parçaları durdurabilen toz maskesi, kulaklık, eldiven ve iş önlüğü giyin. Göz koruması, çeşitli işlemler sonucu açığa çıkan uçan parçacıkları durdurabilmelidir. Toz maskesi ya da gaz maskesi yaptığınız işlem sonucu açığa çıkan parçacıkları filtreleyebilmelidir. Uzun süreli yüksek şiddetli gürültüye maruz kalınması işitme kaybına neden olabilir.

i) Çevrede bulunan şahısları çalışma alanından uzakta güvenli bir mesafede tutun. Çalışma alanına giren şahıslar kişisel koruyucu ekipman giymelidir. İşleme tabi tutulan parçanın ya da kırık bir aksesuarın parçacıkları fırlayabilir ve çalışma alanının yakın çevresinde yaralanmalara neden olabilir.

j) Kesme aksesuarının gizli kablolarına veya kendi kablosuna temas edebileceği yerlerde çalışma yaparken elektrikli aleti yalıtımlı kavrama yüzeylerinden tutun. Kesme aksesuarının «akım taşıyan» bir kabloya temas etmesi durumunda elektrikli aletin metal kısımları da «akım taşıyıcı» hale gelecek ve kullanıcının elektrik çarpmasına neden olabilir.

- k) **Kabloyu dönen aksesuardan uzak tutun.** Kontrolü kaybederseniz kablo kesilebilir ya da kopabilir ve eliniz ya da kolunuz dönen aksesuar içine çekilebilir.
- l) **Aksesuar tamamen durmadıkça elektrikli aleti asla yere koymayın.** Döner aksesuar yüzeyi yakalayabilir ve elektrikli aleti kontrolünüzden çıkarabilir.
- m) **Elektrikli aleti yanınızda taşırken çalıştırmayın.** Kaza ile temas halinde, döner aksesuar giysinize takılabilir, aksesuarı vücudunuza doğru çekebilir.
- n) **Elektrikli aletin hava çıkışlarını düzenli olarak temizleyin.** Motor fanı, tozu muhafaza içine çeker ve aşırı metal toplanması elektriksel tehlike yaratabilir.
- o) **Elektrikli aleti yanıcı malzemelerin yakınında çalıştırmayın.** Kıvılcım bu malzemeleri tutuşturabilir.
- p) **Sıvı soğutucu gerektiren aksesuarlar kullanmayın.** Su ya da diğer sıvı soğutucuların kullanılması elektrik çarpması ya da şok ile sonuçlanabilir.

Bütün uygulamalar için güvenlik talimatları

Geri tepme ve ilgili uyarılar

Geri tepme, sıkışmış veya takılmış bir disk, taban, fırça veya diğer aksesuarlara verilen ani tepkidir. Sıkışma veya takılma döner aksesuarın aniden durmasına neden olur, bu daha sonra temas noktasında elektrikli aletin kontrolsüzce, aksesuarın dönme yönünün tersine doğru zorlanmasına yol açar.

Örneğin, bir aşındırıcı disk, işleme tabi tutulan parçaya takılır ya da sıkışır; sıkışma noktasına giren disk kenarı malzemenin yüzeyine saplanarak, diskin geri tepmesine ya da fırlamasına neden olabilir. Disk, sıkışma noktasındaki hareket yönüne bağlı olarak ya kullanıcıya doğru ya da kullanıcıdan uzağa fırlayabilir. Aşındırıcı diskler bu koşullar altında kırılabilir.

Geri tepme, aletin yanlış kullanılmasından ve/veya yanlış çalışma işlemleri veya

koşullarından kaynaklanır ve aşağıda da belirtilen uygun tedbirler alınarak önenebilir:

- a) **Elektrikli aleti sıkıca tutun, vücudunuzu ve kolunuzu geri tepme gücüne karşı koyacak şekilde konumlandırın. Geri tepmeye ya da çalıştırma sırasındaki döndürme momenti tepkisine karşı maksimum kontrol sağlamak için eğer varsa yan tutma kolunu kullanın.** Doğru önlemler alınırsa döndürme momenti tepkileri ya da geri tepmeler kullanıcı tarafından kontrol edilebilir.
- b) **Döner aksesuar civarına asla elinizi sokmayın.** Aksesuar elinizde geri tepme etkisi yapabilir.
- c) **Geri tepmenin meydana gelmesi durumunda vücudunuzu elektrikli aletin hareket edeceği alanda bulundurmayın.** Geri tepme hareketi aleti takılma noktasında disk hareketine ters yönde itecektir.
- d) **Köşe, keskin kenarlar vb. yerlerle çalışırken özellikle dikkatli olun. Aksesuarın sekmesinden ve takılmasından kaçının.** Köşeler, keskin kenarlar ya da sektirme hareketi döner aksesuarı engelleme eğilimindedir ve kontrolün kaybedilmesine ya da geri tepmeye neden olabilir
- e) **Zincirli testere zinciri, ahşap oyma bıçağı ya da dişli daire/gönye testere bıçağı takmayın.** Bu tür bıçaklar sık sık geri tepme ve kontrol kaybı oluşturur.

Taşlama uygulamalarına özel ilave güvenlik uyarıları

- a) **Sadece elektrikli aletiniz için tavsiye edilen disk türlerini ve seçilen disk için tasarlanmış özel muhafazayı kullanın.** Elektrikli aletin birlikte kullanılmak için tasarlanmadığı diskler yeteri kadar korunamazlar ve güvenli değildir.
- b) **Muhafazanın elektrikli alete güvenli bir şekilde bağlanması ve maksimum güvenlik için konumlandırılması gerekir, böylece diskin çok az bir kısmı kullanıcıya açık olacaktır.** Muhafaza, kullanıcının kırılan disk parçacıklarından ve disk ile istenmeyen temaslardan ve giysileri yakabilecek kıvılcımlardan korunmasına yardımcı olur.

- c) **Diskler sadece önerilen uygulamalar için kullanılmalıdır. Örneğin: kesme diskinin kenarı ile taşlama yapmayın.** Aşındırıcı kesici diskler çevresel aşındırma için tasarlanmıştır, bu disklere uygulanan yan kuvvetler diskleri parçalayabilir.
- d) **Her zaman seçilen disk için doğru ebat ve şekilde, hasarsız flanşları kullanın.** Uygun flanşlar, diski destekler ve disk kırılması olasılığını azaltır. Kesme diski flanşları taşlama diski flanşlarından farklı olabilir.
- e) **Daha büyük çaplı taşlamaların yıpranmış disklerini kullanmayın.** Daha büyük elektrikli aletler için tasarlanmış disk daha küçük bir aletin yüksek hızları için uygun değildir ve parçalanabilir.







Diğer tehlikeler

Emniyet tedbirlerini düzenleyen yönetmeliğin uygulanmasına ve emniyet sağlayıcı aygıtların kullanılmasına rağmen, başka belirli risklerden kaçınılamaz. Bunlar:

- Duyma bozukluğu
- Sıçrayan parçacıklardan kaynaklanan yaranama riski.
- Çalışma sırasında ısınan aksesuarlardan kaynaklanan yanık tehlikesi.
- Uzun süreli kullanımdan kaynaklanan yaranama riski.
- Tehlikeli maddeler içeren tozun oluşması riski.

Alet üzerindeki etiketler

Aletin etiketinde aşağıdaki semboller bulunabilir:

	Kullanım Kılavuzunu Okuyun	Hz Hertz		Sınıf II İnşaat
	Koruyucu Gözlük kullanın	W Vat		Topraklama Terminal Güvenlik uyarısı Sembölü
	Kulaklık Kullanın	dak dakika		Dakikada devir veya gel git sayısı
V Volt	boş Yüksüz	~ Alternatif Akım/min..	
A Amper	Hız	==== Direkt Akım		

Tarih kodu konumu

İmalat yılını da içeren Tarih Kodu gövdeye basılıdır.

Örnek:

2014 XX JN
İmalat Yılı


İçindekiler

Ambalaj, aşağıdaki parçaları içermektedir:

- 1 Avuç taşlama makinesi
- 1 Muhafaza
- 1 Flanş seti
- 1 Anahtar
- 1 Yan kol
- 1 Kullanım kılavuzu

Alette, parçalarda veya aksesuarlarda nakliye sırasında meydana gelmiş olabilecek hasarı kontrol edin. Aleti çalıştırmadan önce, bu kullanım kılavuzunu baştan sonra okuyup anlamak için gerekli zamanı ayırın.

Açıklama (Şekil 1)


 **Uyarı:** Hiçbir zaman elektrikli aleti veya herhangi bir parçasını değiştirmeyin. Bu, kişisel yaralanmalara ya da alet hasarına yol açabilir.

- a. Açma/kapama düğmesi
- b. Mil kilidi düğmesi
- c. Muhafaza

Kullanım amacı

Bu avuç taşlama makinesi özellikle taşlama uygulamaları için tasarlanmıştır. Basık merkezli taşlama disklerinin dışında taşlama ve zımpara disklerini kullanmayın. Islak koşullarda veya yanıcı sıvı ya da gazların mevcut olduğu ortamlarda kullanmayın. Bu ağır hizmet tipi avuç taşlama makinesi profesyonel bir elektrikli alettir. Çocukların aleti ellemesine izin vermeyin. Bu alet deneyimsiz kullanıcılar tarafından kullanılırken nezaret edilmelidir.

Elektrik güvenliği

 Bu alet, sadece tek bir gerilim ile çalışacak şekilde ayarlanmıştır. Her zaman şebeke geriliminin aletin üretim etiketinde belirlenmiş değerlere uyup uymadığını kontrol edin. STANLEY aletiniz çift yalıtımlıdır; bu yüzden hiçbir topraklama kablosuna gerek yoktur.

Güç kablosu hasarlıysa, STANLEY yetkili servisinden temin edilebilen özel olarak hazırlanmış bir kabloyla değiştirilmelidir.

Uzatma kablolarının kullanımı

Bir uzatma kablosu gerekli ise, bu aletin elektrik girişine uygun (Teknik Özelliklere bakın), onaylı bir 3 telli uzatma kablo kullanın. Minimum iletken boyutu 1,5 mm²'dir; maksimum uzunluk 30 m'dir. Bir kablo makarası kullanırken, kabloyu daima sonuna kadar açın.

Montaj ve ayarlama



Uyarı: Ciddi yaralanma riskini azaltmak için herhangi bir ayar yapmadan ya da parça veya aksesuarları söküp takmadan önce aleti kapatın ve güç kaynağından ayırın. Aleti yeniden bağlamadan önce aletin kapalı olduğundan emin olmak için tetik düğmesine basıp bırakın.

Muhafazanın takılması ve çıkartılması (Şekil B)



Uyarı: Ciddi yaralanma riskini azaltmak için herhangi bir ayar yapmadan ya da parça veya aksesuarları söküp takmadan önce aleti kapatın ve güç kaynağından ayırın. Aleti yeniden bağlamadan önce aletin kapalı olduğundan emin olmak için tetik düğmesine basıp bırakın.

Muhafazanın takılması

1. Taşlama makinesini, oluğu yukarı gelecek şekilde bir çalışma tezgahına yatırın.
2. Muhafaza (3) desteğinin flanşını vites muhafazasının oluşunun (11) üzerine takın.
3. Muhafazayı (4) 150 derece saatin ters yönünde çevirin.
4. Vidaların (20) sıkıldığından emin olun.

Muhafazanın çıkartılması

1. Muhafaza desteğindeki vidayı (20) gevşetin.
2. Muhafazayı (3) aletten çıkartın.



Uyarı: Muhafaza yerinde değilse aleti kesinlikle kullanmayın.

Taşlama diskinin takılması ve çıkartılması (Şekil C1, C2, C3)



Uyarı: Hasar görmüş olan taşlama disklerini kullanmayın.

1. Muhafaza yukarı gelecek şekilde aleti bir çalışma tezgahına yatırın.
2. İç flanş (6) mil (7) üzerine düzgünce takın (Şekil C1).
3. Diski (8) iç flanş (6) üzerine yerleştirin (Şekil C2). Yüksek merkezli bir disk takarken yüksek merkezin (9) iç flanşa (6) baktığından emin olun.
4. Dişli dış flanş (10) mil (7) üzerine döndürerek sabitleyin (Şekil C3).
 - Taşlama diskini takarken dış flanştaki (10) yüksek merkez diske bakmalıdır (A)
 - Kesme diskini takarken dış flanştaki (10) yüksek merkez diskin aksi yöne bakmalıdır (B)
5. Mil kilidi düğmesini (2) basılı tutun ve mili (7) yerinde kilitlemeye kadar döndürün (Şekil C2).
6. Verilen çift pimli anahtar kullanarak flanş (10) sıkın.
7. Mil kilidi düğmesini bırakın.
8. Diski çıkartmak için, flanş (10) verilen iki pimli anahtar ile gevşetin.



Uyarı: Hasarlı diski kullanmayın.

Yan kolun takılması (Şekil D)

- Taşlama için ikinci tutma kolunu (4) gövdenin her iki tarafındaki deliklerden birine (11) veya (12) iyice vidalayın.

Aleti kullanmadan önce

- Muhafazayı ve uygun bir aşındırıcı veya taşlama diskini takın. Çok yıpranmış aşındırıcı veya taşlama disklerini kullanmayın.
- İç ve dış flanşın düzgün takıldığından emin olun.
- Aşındırıcı veya taşlama diskinin, aksesuar ve aletin üzerindeki oklar yönünde dönmesine dikkat edin.

Kullanımı (Şekil F)

Kullanım talimatları



Uyarı: Güvenlik talimatlarına ve geçerli yönetmeliklere daima uyun.



Uyarı: Ciddi yaralanma riskini azaltmak için herhangi bir ayar yapmadan ya da parça veya aksesuarları söküp takmadan önce aleti kapatın ve güç kaynağından ayırın. Aleti yeniden bağlamadan önce aletin kapalı olduğundan emin olmak için tetik düğmesine basıp bırakın.



Uyarı:

- Taşlanacak tüm malzemelerin yerlerine sıkıca sabitlendiklerinden emin olun.

Çalışma malzemesini sabit bir platforma sabitlemek ve desteklemek için kelepçe veya mengene kullanın. Parçanın hareket etmesini ve kontrol kaybını önlemek için çalışma parçasını sıkı tutun ve sabitlemek çok önemlidir. Parçanın hareket etmesi veya kontrol kaybı zarara ve kişisel yaralanmaya yol açabilir.

- çalışma parçasını sabitleyin. Kelepçe veya mengene ile sıkıştırılmış bir çalışma parçası el ile tutulmaktan daha güvenli bir şekilde tutulur.
- Kırılma ve geri tepmeyi en aza indirmek için panel ve büyük boyutlu iş parçalarını destekleyin. Geniş çalışma parçaları kendi ağırlıkları ile bükülebilirler. Destekler çalışma parçasında, kesme hattı yanına ve diskin her iki tarafında parçanın kenarının yakınında konumlandırılmalıdır.
- Alete yalnızca hafif bir baskı uygulayın. Aşındırıcı diske yanal basınç uygulamayın.
- Aşırı yüklemekten kaçının. Alet çok fazla ısındığında yüksüz durumdayken birkaç dakika çalıştırın.

1. Aleti iki elinizle sıkıca tutun (bir el alet gövdesinin, diğer el yan kolun üzerinde olacak şekildedir). Aleti çalıştırın ve taşlama diskini iş parçasının üzerine getirin.
2. İş parçasının yüzeyine karşı 15 ila 30 derece arasında açı ile disk kenarını eğimli tutun.
3. Yeni bir taşlama diskini kullanırken B yönünde çalışmayın, aksi takdirde disk iş parçasını kesebilir. Diskin kenarı yuvarlanmış olduktan sonra her yönünde, A ya da B, serbestçe çalışabilirsiniz.

Açılması ve kapatılması (Şekil A)



Uyarı: Aleti kullanmadan önce yan kolun iyice sıkıldığından emin olun. Açma/kapama düğmesinin düzgün çalıştığını kontrol edin.

Elektrik prizine takmadan önce açma/kapama düğmesinin arka kısmına basarak aletin kapalı olduğundan mutlaka emin olun.

Aleti çalıştırmak için, açma/kapama düğmesinin arka kısmına basın ve öne doğru kaydırın. Aleti kapatmak için açma/kapama düğmesinin arka kısmına basın.



Uyarı: Aleti yük altındayken açıp kapamayın.

Uygun el pozisyonu (Şekil G)



Uyarı: Ciddi yaralanma riskini azaltmak için, DAİMA şekilde gösterilen uygun el pozisyonunu kullanın.



Uyarı: Ciddi yaralanma riskini azaltmak için, ani tepki ihtimaline karşı aleti DAİMA sıkıca tutun.

Uygun el pozisyonu Şekil G'de gösterildiği gibi bir elin yan kolunda (Şekil A) ve diğer elin aletin gövdesinde olmasını gerektirir.

Anahtarlar



Uyarı: Daya iyi kontrol sağlamak için aleti çalıştırırken, kullanımı sırasında ve diskin veya aksesuarın dönmesi durana kadar aletin gövdesini sıkı bir şekilde tutun. Disk tamamen durmadıkça elektrikli aleti asla yere koymayın.

Not: Beklenmeyen alet hareketini önlemek için aleti yük altındayken açıp kapamayın. Taşlama makinesi iş yüzeyine dokunmadan önce tam hıza kadar çalıştırın. Kapatmadan önce aleti iş yüzeyinden kaldırın. Aleti elinizden bırakırken mutlaka diskin durmasını bekleyin.

Açma/kapama düğmesi (1) (Şekil A)




Uyarı: Elektrik prizine takmadan önce açma/kapama sürgülü düğmesinin ön kısmını basıp bırakarak elektrikli aletin kapalı olduğundan mutlaka emin olun. Kaçak akım koruma cihazının ve devre kesicinin çalışması, yanlışlıkla prizden çıkartma veya güç kesintisi gibi herhangi bir elektrik kesintisi sonrasında yukarıda açıklandığı gibi açma/kapama sürgülü düğmesinin kapalı olduğundan emin olun.

Aleti çalıştırmak için, açma/kapama sürgülü düğmesinin (1) aletin önüne doğru kaydırın ve basın, alet çalışmaya başlayacaktır. Düşmeye uygulanan baskı bırakıldığında alet duracaktır.

Açma/kapama düğmesinin özelliği

Aleti çalıştırmak için, açma/kapama sürgülü düğmesinin (1) aletin önüne doğru kaydırın ve basın, alet çalışmaya başlayacaktır. Açma/kapama düğmesini bırakırken, düşmeye basın ve aletin önüne doğru kaydırın, alet kesintisiz çalışacaktır. Aleti kapatmak için açma/kapama sürgülü düğmesinin ön tarafına basın. Alet derhal tepki verir, bunun anlamı alet kapalı konuma geçmiştir.

Açıklama: Üzerinde çalıştığınız malzeme ile temas etmeden önce, aşındırıcı diskin maksimum hızda döndüğünden emin olun. Kapatmadan önce aleti üzerinde çalıştığınız malzemeden kaldırın.


 **Uyarı:** Aleti yere bırakmadan önce aşındırıcı diskin dönüşünün durduğundan emin olun.

Döner vites kutusu (Şekil E)

Vites kutusu aletin gövdesi üzerine monte edilir ve kesim esnasında kullanıcıya rahat bir deneyim sunmak için döndürülebilir.

Döner vites kutusu sağa veya sola 90, 180 ve 270 derece dönebilir.


- Vites kutusu üzerindeki dört vidayı gevşetin.
- En uygun konuma ulaşına kadar vites kutusunu döndürün.
- Vites kutusu üzerindeki dört vidayı sıkın.
- Dönme mekanizmasının kilitli olduğundan emin olun.

 **Uyarı:** Vites kutusu kilitli olmadığında aleti **KULLANMAYIN**.

Metal uygulamalar


Aleti metal uygulamalarda kullanırken metal talaşının neden olduğu kalıcı riskleri engellemek için bir artık akım aygıtının (RCD) takılı olduğundan emin olun.

Artık akım aygıtı güç kesilmesine neden olunca aleti yetkili STANLEY servis merkezine tamir için getirin.


 **Uyarı:** Uç çalışma koşullarında, metalle çalışırken makine gövdesinde iletken toz birikebilir. Bu ise makinenin içindeki koruyucu izolasyonun bozulmasına ve olası elektrik çarpması risklerine neden olabilir.

Aletin içinde metal toplanmasını önlemek için havalandırma deliklerinin her gün temizlemesi tavsiye edilir. «Bakım» kısmına bakın.

Taşlama disklerinin kullanılması

 **Uyarı: Metal tozu toplanma riski.** Taşlama diskinin metalde yoğun kullanılması elektrik çarpması riskini arttıracaktır. Bu riski azaltmak için aleti kullanmadan önce artık akım aygıtını (RCD) takın ve her gün havalandırma deliklerini temizleyin. Havalandırma deliklerinin basınçlı hava ile temizlemesi için aşağıdaki bakım talimatlarını izleyin.

Bakım


 STANLEY elektrikli aletiniz minimum bakımla uzun bir süre çalışacak şekilde tasarlanmıştır. Kesintisiz olarak memnuniyet verici bir şekilde çalışması gerekli özenin gösterilmesine ve düzenli temizliğe bağlıdır.


Uyarı: Ciddi yaralanma riskini azaltmak için herhangi bir ayar yapmadan ya da parça veya aksesuarları söküp takmadan önce aleti kapatın ve güç kaynağından ayırın. Aleti yeniden bağlamadan önce aletin kapalı olduğundan emin olmak için tetik düğmesine basıp bırakın.

 **Yağlama**

Elektrikli aletiniz ek bir yağlama gerektirmemektedir.

 **Temizleme**

 **Uyarı:** Havalandırma deliklerinin içinde ve çevresinde görünür toz toplanırken hemen basınçlı hava ile aletin gövdesinde birikmiş tozu temizleyin. Bu işlemi yaparken onaylanmış koruyucu gözlük ve yüz maskesi takmalısınız.

 **Uyarı:** Aletin metalik olmayan parçalarını temizlemek için asla çözücü veya başka sert kimyasal kullanmayın. Bu kimyasallar bu parçalarda kullanılan malzemeleri güçsüzleştirir. Aleti temizlemek için, sadece yumuşak sabun ve nemli bir bez kullanın. Aletin içine sıvı kaçmasına kesinlikle izin vermeyin; aletin herhangi bir parçasını bir sıvı içine daldırmayın.

Aksesuarlar



Uyarı: STANLEY tarafından sunulan aksesuarlar hariç, bütün başka aksesuarlar ürün uyumluluğu için test edilmemiştir. Bu alet ile birlikte bu tür aksesuarların kullanılması güvenlik sorunlarına neden olabilir. Yaralanma riskini en aza indirmek için bu alet ile sadece STANLEY aksesuarların kullanılması tavsiye edilir.

Uygun aksesuarlarla ilgili daha fazla bilgi için bayiinize danışın.

Notlar

- STANLEY politikası gibi, ürünlerimizi sürekli iyileştirme amacıyla önceden haber vermeden ürün özelliklerini değiştirme hakkını saklı tutarız.
- Standart ekipman ve aksesuarlar ülkeye göre değişebilir.
- Ürün özellikleri ülkelere göre farklı olabilir.
- Komple ürün çeşidi tüm ülkelerde geçerli olmayabilir. Ürün çeşidi durumu hakkında lütfen en yakın STANLEY yetkili servisiyle temas kurun.

Çevrenin korunması



Ayrı olarak atın. Bu ürün, normal evsel atıklarla birlikte atılmamalıdır.

Stanley ürününüzün değiştirilmesi gerektiğini düşünmeniz veya artık kullanılamaz durumda olması halinde onu, evsel atıklarla birlikte atmayın. Bu ürünü, ayrı olarak toplanacak şekilde atın.



Kullanılmış ürünlerin ve ambalajların ayrı olarak toplanması bu maddelerin geri dönüşüme sokularak yeniden kullanılmasına olanak tanır. Geri dönüşümlü maddelerin tekrar kullanılması çevre kirliliğinin önlenmesine yardımcı olur ve ham madde ihtiyacını azaltır.

Yerel yönetmelikler, elektrikli ürünlerin evlerden toplanıp belediye atık tesislerine aktarılması veya yeni bir ürün satın alırken perakende satıcı tarafından toplanması yönünde hükümler içerebilir.

Stanley, hizmet ömrünün sonuna ulaşan Stanley ürünlerinin toplanması ve geri dönüşüme sokulması için bir imkân sunmaktadır. Bu hizmetin avantajlarından faydalanmak için, lütfen, ürününüzü bizim adımıza teslim alacak herhangi bir yetkili servise iade edin.

Bu kılavuzda belirtilen listeden size en yakın Stanley etkili tamir servisinin yerini öğrenebilirsiniz. Ya da, alternatif olarak internet'ten Stanley yetkili tamir servislerinin listesini ve satış sonrası hizmetlerimizle ilgili tüm bilgiler ve temas bilgilerine aşağıdaki siteden ulaşabilirsiniz. www.2helpU.com

STGL2018

L_{pA} (ses basıncı)	dB(A)	92,5
K_{pA} (ses basıncı belirsizli_i)	dB(A)	3
L_{WA} (ses gücü)	dB(A)	103,5
K_{WA} (ses gücü belirsizli_i)	dB(A)	3
Titre_im emisyon de_eri ah (yüzey ta_lama)		
a_{h-AG}	m/s ²	8
Belirsizlik K	m/s ²	1,5

STGL2218

L_{pA} (ses basıncı)	dB(A)	92
K_{pA} (ses basıncı belirsizli_i)	dB(A)	3
L_{WA} (ses gücü)	dB(A)	103
K_{WA} (ses gücü belirsizli_i)	dB(A)	3
Titre_im emisyon de_eri ah (yüzey ta_lama)		
a_{h-AG}	m/s ²	6,9
Belirsizlik K	m/s ²	1,5

AT Uygunluk Beyanati
MAKİNE DİREKTİFİ



STGL2018/STGL2218

STANLEY, «teknik özellikleri» bölümünde açıklanan bu ürünlerin aşağıda belirtilen yönergelere uygun olduğunu beyan eder: 2006/42/EC, EN 60745-1, EN 60745-2-3

Bu ürünler ayrıca 2014/30/EU ve 2011/65/EU Direktiflerine de uygundur. Daha fazla bilgi için, lütfen aşağıdaki adresten STANLEY ile irtibata geçin veya kılavuzun arkasına bakın.

Bu belge altında imzası bulunan yetkili, teknik dosyanın derlenmesinden sorumludur ve bu beyanı STANLEY adına vermiştir.

R.Laverick
Mühendislik Bölümü Müdürü
STANLEY , Europe, Egide Walschaertsstraat14-18,
2800 Mechelen, Belgium

Servis bilgileri

STANLEY, yetkili servisler ile tam bir servis ağı sunmaktadır. Tüm STANLEY Servis Merkezleri müşterilere etkili ve güvenilir elektrikli el aleti hizmeti sunmak için eğitimli personel ile donatılmıştır. Yetkili servis merkezlerimiz hakkında daha fazla bilgi almak istiyorsanız veya teknik danışmanlık, onarım ya da orijinal fabrika yedek parçası ihtiyacınız varsa, size en yakın STANLEY satış noktasına başvurun.

İki yıl garanti

Sahip olduğunuz STANLEY ürünü satın alma tarihinden itibaren 24 ay içinde hatalı malzeme veya işçilik nedeniyle bozulursa, STANLEY aşağıdaki şartlara uyulması koşuluyla ücretsiz olarak tüm kusurlu parçaların yenilenmesini veya -kendi inisiyatifine bağlı olarak- satın alınan ürünün değiştirilmesini garanti eder:

- Ürün, hatalı kullanılmamış kullanım kılavuzuna uygun kullanılmıştır.
- Ürün yıpranmamış, hırpalanmamış ve aşınmamıştır;
- Yetkili olmayan kişilerce tamire çalışılmamıştır.
- Satın alma belgesi (fatura) ibraz edilmiştir.
- STANLEY ürünü, tüm orijinal parçaları ile birlikte iade edilmiştir

Garanti talebinde bulunmak için, lütfen satıcıyla irtibata geçin veya STANLEY katalogunda belirtilen size en yakın STANLEY yetkili satıcı adresini kontrol edin veya ürünün kılavuzunda belirtilen adresteki yerel STANLEY yetkili tamir servisi ile temas kurun. İnternet'ten STANLEY yetkili tamir servislerinin listesine ve satış sonrası hizmetlerimizle ilgili tüm bilgilerine aşağıdaki siteden ulaşabilirsiniz:

www.stanleytools.com

Sanayi ve Ticaret Bakanlığı tebliğince kullanım ömrü 7 yıldır.

Türkiye Distribütörü

STANLEY BLACK&DECKER TURKEY ALET ÜRETİM SAN. TIC. LTD.STI.

Kozyatağı Mh Değirmen Sk. Nida Kule No:18 Kat:6, 34742 Kadıköy İstanbul

Tel : (0216) 665 29 00, Faks : (0216) 665 29 01, E-posta: info-tr@sbdinc.com

