

*If you have questions or comments, contact us.
Pour toute question ou tout commentaire, nous contacter.
Si tiene dudas o comentarios, contáctenos.*

1-800-4-DEWALT • www.dewalt.com

**INSTRUCTION MANUAL
GUIDE D'UTILISATION
MANUAL DE INSTRUCCIONES**

INSTRUCTIVO DE OPERACIÓN, CENTROS DE SERVICIO Y PÓLIZA DE GARANTÍA. **ADVERTENCIA:** LÉASE ESTE INSTRUCTIVO ANTES DE USAR EL PRODUCTO.

DEWALT®

**DW625
Electronic Plunge Cut Router
Toupie électronique à course plongeante
Rebajadora electrónica de columnas**



Definitions: Safety Guidelines

The definitions below describe the level of severity for each signal word. Please read the manual and pay attention to these symbols.

⚠ DANGER: Indicates an imminently hazardous situation which, if not avoided, **will** result in **death or serious injury**.

⚠ WARNING: Indicates a potentially hazardous situation which, if not avoided, **could** result in **death or serious injury**.

⚠ CAUTION: Indicates a potentially hazardous situation which, if not avoided, **may** result in **minor or moderate injury**.

NOTICE: Indicates a practice **not related to personal injury** which, if not avoided, **may** result in **property damage**.

IF YOU HAVE ANY QUESTIONS OR COMMENTS ABOUT THIS OR ANY DEWALT TOOL, CALL US TOLL FREE AT: **1-800-4-DEWALT (1-800-433-9258)**.



WARNING: To reduce the risk of injury, read the instruction manual.

General Power Tool Safety Warnings



WARNING! Read all safety warnings and all instructions.

Failure to follow the warnings and instructions may result in electric shock, fire and/or serious injury.

SAVE ALL WARNINGS AND INSTRUCTIONS FOR FUTURE REFERENCE

The term "power tool" in the warnings refers to your mains-operated (corded) power tool or battery-operated (cordless) power tool.

1) WORK AREA SAFETY

- a) **Keep work area clean and well lit.** Cluttered or dark areas invite accidents.
- b) **Do not operate power tools in explosive atmospheres, such as in the presence of flammable liquids, gases or dust.** Power tools create sparks which may ignite the dust or fumes.
- c) **Keep children and bystanders away while operating a power tool.** Distractions can cause you to lose control.

2) ELECTRICAL SAFETY

- a) **Power tool plugs must match the outlet. Never modify the plug in any way. Do not use any adapter plugs with earthed (grounded) power tools.** Unmodified plugs and matching outlets will reduce risk of electric shock.
- b) **Avoid body contact with earthed or grounded surfaces such as pipes, radiators, ranges and refrigerators.** There is an increased risk of electric shock if your body is earthed or grounded.
- c) **Do not expose power tools to rain or wet conditions.** Water entering a power tool will increase the risk of electric shock.
- d) **Do not abuse the cord. Never use the cord for carrying, pulling or unplugging the power tool. Keep cord away from heat, oil, sharp edges or moving parts.** Damaged or entangled cords increase the risk of electric shock.
- e) **When operating a power tool outdoors, use an extension cord suitable for outdoor use.** Use of a cord suitable for outdoor use reduces the risk of electric shock.
- f) **If operating a power tool in a damp location is unavoidable, use a ground fault circuit interrupter (GFCI) protected supply.** Use of a GFCI reduces the risk of electric shock.

3) PERSONAL SAFETY

- a) **Stay alert, watch what you are doing and use common sense when operating a power tool. Do not use a**

power tool while you are tired or under the influence of drugs, alcohol or medication. A moment of inattention while operating power tools may result in serious personal injury.

- b) **Use personal protective equipment. Always wear eye protection.** Protective equipment such as dust mask, non-skid safety shoes, hard hat, or hearing protection used for appropriate conditions will reduce personal injuries.
- c) **Prevent unintentional starting. Ensure the switch is in the off position before connecting to power source and/or battery pack, picking up or carrying the tool.** Carrying power tools with your finger on the switch or energizing power tools that have the switch on invites accidents.
- d) **Remove any adjusting key or wrench before turning the power tool on.** A wrench or a key left attached to a rotating part of the power tool may result in personal injury.
- e) **Do not overreach. Keep proper footing and balance at all times.** This enables better control of the power tool in unexpected situations.
- f) **Dress properly. Do not wear loose clothing or jewelry. Keep your hair, clothing and gloves away from moving parts.** Loose clothes, jewelry or long hair can be caught in moving parts.
- g) **If devices are provided for the connection of dust extraction and collection facilities, ensure these are connected and properly used.** Use of dust collection can reduce dust-related hazards.

4) POWER TOOL USE AND CARE

- a) **Do not force the power tool. Use the correct power tool for your application.** The correct power tool will do the job better and safer at the rate for which it was designed.
- b) **Do not use the power tool if the switch does not turn it on and off.** Any power tool that cannot be controlled with the switch is dangerous and must be repaired.

- c) **Disconnect the plug from the power source and/or the battery pack from the power tool before making any adjustments, changing accessories, or storing power tools.** Such preventive safety measures reduce the risk of starting the power tool accidentally.
- d) **Store idle power tools out of the reach of children and do not allow persons unfamiliar with the power tool or these instructions to operate the power tool.** Power tools are dangerous in the hands of untrained users.
- e) **Maintain power tools. Check for misalignment or binding of moving parts, breakage of parts and any other condition that may affect the power tool's operation. If damaged, have the power tool repaired before use.** Many accidents are caused by poorly maintained power tools.
- f) **Keep cutting tools sharp and clean.** Properly maintained cutting tools with sharp cutting edges are less likely to bind and are easier to control.
- g) **Use the power tool, accessories and tool bits, etc. in accordance with these instructions, taking into account the working conditions and the work to be performed.** Use of the power tool for operations different from those intended could result in a hazardous situation.

5) SERVICE

- a) **Have your power tool serviced by a qualified repair person using only identical replacement parts.** This will ensure that the safety of the power tool is maintained.

SAVE THESE INSTRUCTIONS FOR FUTURE USE

Double Insulation

Double insulated tools are constructed throughout with two separate "layers" of electrical insulation between you and the tool's electrical system.

Tools built with this insulation system are not intended to be grounded. As a result, your tool is equipped with a two-prong plug which permits you to use extension cords without concern for maintaining a ground connection.

NOTE: Double insulation does not take the place of normal safety precautions when operating this tool. The insulation system is for added protection against injury resulting from a possible electrical insulation failure within the tool.

▲CAUTION: When servicing all tools, USE ONLY IDENTICAL REPLACEMENT PARTS.

Polarized Plugs

Polarized plugs (one blade is wider than the other) are used on equipment to reduce the risk of electric shock. When provided, this plug will fit into a polarized outlet only one way. If the plug does not fit fully into the outlet, reverse the plug. If it still does not fit, contact a qualified electrician to install the proper outlet. Do not change the plug in any way. Repair or replace damaged cords.

Additional Specific Instructions for Routers

- **Hold power tools by insulated gripping surfaces, because the cutter may contact its own cord.** Cutting a “live” wire may make exposed metal parts of the tool “live” and shock the operator.
- **Use clamps or another practical way to secure and support the workpiece to a stable platform.** Holding the work by your hand or against the body leaves it unstable and may lead to loss of control.
- **Metal cutting with router: If using router for metal cutting, clean out tool often.** Metal dust and chips often accumulate on interior surfaces and could create a risk of serious injury, electrical shock or death.
- **Never run the motor unit separate from the base.** The motor is not designed to be handheld.

- **Keep handles dry, clean and free from oil and grease.** This will enable better control of the tool.
- **Maintain a firm grip with both hands on the tool to resist starting torque.** Maintain a firm grip on the tool at all times while operating.
- **Use sharp cutters.** Dull cutters may cause the router to swerve or stall under pressure.
- **Keep hands away from cutting area above and below the base. Never reach under the workpiece for any reason.** Keep the router base firmly in contact with the workpiece when cutting.
- **Never touch the bit immediately after use.** It may be extremely hot.
- **Do not use router bits with a diameter in excess of 2-3/8" (60 mm) in this tool.**
- **Always follow the bit manufacturer's speed recommendations as some bit designs require specific speeds for safety or performance.** If you are unsure of the proper speed or are experiencing any type of problem, contact the bit manufacturer.
- **Do not hand-hold the router in an upside-down or horizontal position.** The motor can separate from the base if not properly attached according to the instructions.
- **Before starting the motor, check to see that the cord will not snag or impede the routing operation.**
- **Before starting the motor, clear the work area of all foreign objects.**
- **Keep cutting pressure constant. Do not overload motor.**
- **Provide clearance under workpiece for bit when through-cutting.**
- **Do not press spindle lock button while the motor is running.** Doing so can damage the spindle lock.
- **Always make sure the work surface is free from nails and other foreign objects.** Cutting into a nail can cause the bit and the tool to jump.

- **Be sure that the motor has stopped completely before you lay the router down.** If the cutter head is still spinning when the tool is layed down, it could cause injury or damage.
- **Be sure that the router bit is clear of the workpiece before starting motor.** If the bit is in contact with the workpiece when the motor starts it could make the router jump, causing damage or injury.
- **Air vents often cover moving parts and should be avoided.** Loose clothes, jewelry or long hair can be caught in moving parts.
- **An extension cord must have adequate wire size (AWG or American Wire Gauge) for safety.** The smaller the gauge number of the wire, the greater the capacity of the cable, that is 16 gauge has more capacity than 18 gauge. An undersized cord will cause a drop in line voltage resulting in loss of power and overheating. When using more than one extension to make up the total length, be sure each individual extension contains at least the minimum wire size. The following table shows the correct size to use depending on cord length and nameplate ampere rating. If in doubt, use the next heavier gauge. The smaller the gauge number, the heavier the cord.

Minimum Gauge for Cord Sets						
Ampere Rating		Volts	Total Length of Cord in Feet (meters)			
		120 V	25 (7.6)	50 (15.2)	100 (30.5)	150 (45.7)
		240 V	50 (15.2)	100 (30.5)	200 (61.0)	300 (91.4)
More Than	Not More Than	AWG				
0	6		18	16	16	14
6	10		18	16	14	12
10	12		16	16	14	12
12	16		14	12	Not Recommended	

⚠ WARNING: ALWAYS use safety glasses. Everyday eyeglasses are NOT safety glasses. Also use face or dust mask if cutting operation is dusty. ALWAYS WEAR CERTIFIED SAFETY EQUIPMENT:

- ANSI Z87.1 eye protection (CAN/CSA Z94.3),
- ANSI S12.6 (S3.19) hearing protection,
- NIOSH/OSHA/MSHA respiratory protection.

⚠ WARNING: Some dust created by power sanding, sawing, grinding, drilling, and other construction activities contains chemicals known to the State of California to cause cancer, birth defects or other reproductive harm. Some examples of these chemicals are:

- lead from lead-based paints,
- crystalline silica from bricks and cement and other masonry products, and
- arsenic and chromium from chemically-treated lumber.

Your risk from these exposures varies, depending on how often you do this type of work. To reduce your exposure to these chemicals: work in a well ventilated area, and work with approved safety equipment, such as those dust masks that are specially designed to filter out microscopic particles.

- **Avoid prolonged contact with dust from power sanding, sawing, grinding, drilling, and other construction activities. Wear protective clothing and wash exposed areas with soap and water.** Allowing dust to get into your mouth, eyes, or lay on the skin may promote absorption of harmful chemicals.

⚠ WARNING: Use of this tool can generate and/or disperse dust, which may cause serious and permanent respiratory or other injury. Always use NIOSH/OSHA approved respiratory protection appropriate for the dust exposure. Direct particles away from face and body.

⚠ WARNING: Always wear proper personal hearing protection that conforms to ANSI S12.6 (S3.19) during use. Under some conditions and duration of use, noise from this product may contribute to hearing loss.

- The label on your tool may include the following symbols. The symbols and their definitions are as follows:

- The label on your tool may include the following symbols. The symbols and their definitions are as follows:

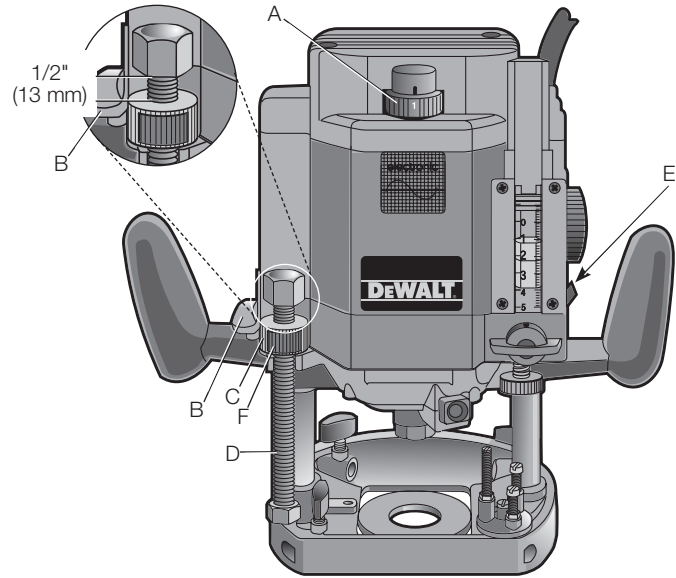
<p>V..... volts</p> <p>Hz..... hertz</p> <p>min minutes</p> <p>== or DC... direct current</p> <p>⚡..... Class I Construction (grounded)</p> <p>□..... Class II Construction (double insulated)</p> <p>.../min per minute</p> <p>BPM..... beats per minute</p> <p>IPM..... impacts per minute</p> <p>RPM..... revolutions per minute</p> <p>sfpm surface feet per minute</p> <p>SPM..... strokes per minute</p>	<p>A..... amperes</p> <p>W..... watts</p> <p>~ or AC..... alternating current</p> <p>⚡ or AC/DC... alternating or direct current</p> <p>n₀..... no load speed</p> <p>n rated speed</p> <p>⊕..... earthing terminal</p> <p>⚠..... safety alert symbol</p> <p>☢..... visible radiation</p>
--	---

SAVE THESE INSTRUCTIONS FOR FUTURE USE

Motor

Be sure your power supply agrees with the nameplate marking. Voltage decrease of more than 10% will cause loss of power and overheating. DEWALT tools are factory tested; if this tool does not operate, check power supply.

FIG. 1



COMPONENTS (Fig. 1)

⚠ WARNING: Never modify the power tool or any part of it. Damage or personal injury could result.

- | | |
|------------------------|-------------------------|
| A. Speed control wheel | D. Height stop rod |
| B. Switch | E. Plunge lock lever |
| C. Thumb wheel | F. Quick release button |

INTENDED USE

This heavy-duty router is designed for professional routing applications.

DO NOT use under wet conditions or in presence of flammable liquids or gases.

This is a professional power tool. **DO NOT** let children come into contact with the tool. Supervision is required when inexperienced operators use this tool.

The electronic motor control system has two basic features.

A. Soft start - When you turn on the router, you will notice that it does not have the jerk from the rapid acceleration of the motor. This router has a starting circuit which accelerates the motor up to speed smoothly, without jerking, and allows you to maintain easier control of the router during the start up period.

B. Constant speed cutting - As you load the router, the selected cutting speed does not slow down during normal use. The electronic control governs the motor and gives you a consistent finish to your work. Only under very heavy loading will the speed of the unit fall below the governed speed.

To set the router speed (from 8,000 rpm to 20,000 rpm) rotate the speed control wheel (A) shown in Figure 1. The higher the number the higher the speed. Consult TABLE 1 below to help select the proper speed for your application.

TABLE 1: SPEED SELECTION CHART

DIAL SETTING	APPROX. RPM
1	8,000
2	12,000
3	16,000
4	18,000
5	20,000

The speeds in this chart are approximate and are for reference only. Your router may not exactly produce the speed listed for the dial setting.

⚠ WARNING: Always follow the bit manufacturer's speed recommendations as some bit designs require specific speeds for

safety or performance. If you are unsure of the proper speed or are experiencing any type of problem, contact the bit manufacturer.

⚠ WARNING: Do not operate tools rated "AC only" on a DC supply. Loss of speed control may result, causing tool damage and possible hazard to the operator.

⚠ WARNING: If the speed control ceases to operate, or is intermittent, stop using the tool immediately. Take it to a DEWALT factory or authorized service facility for repair.

NOTICE: The router is equipped with electronics to monitor and maintain the speed of the tool while cutting. In low and medium speed operation, the speed control prevents the motor speed from decreasing. If you expect to hear a speed change and continue to load the motor, you could damage the motor by overheating. Reduce the depth of cut and/or slow the feed rate to prevent tool damage.

PREPARATION FOR USE

The motor in this router is high-powered (750 Watts, max.). Despite this, it is advisable to cut deep grooves or remove large amounts of material in two or more passes.

Switch (Fig. 1)

TO SWITCH ON THE MACHINE

⚠ WARNING: Always pull the plug on the cord set out of its receptacle when changing a cutter or fitting the accessories in order to avoid any chance of an accident.

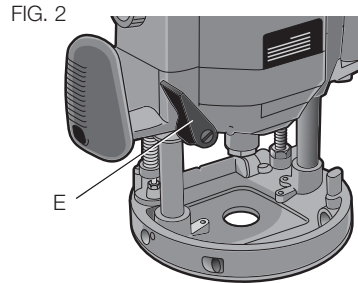
Push the switch (B) up for ON or down for OFF.

OPERATION (Fig. 1, 2)

⚠ WARNING: To reduce the risk of injury, turn unit off and disconnect it from power source before installing and removing accessories, before adjusting or when making repairs. An accidental start-up can cause injury.

⚠ CAUTION: Before connecting tool to power source, check to see that the switch is in the "OFF" position. An accidental start-up can cause injury.

NOTE: Before installing a router bit in your unit, position the tool so that the collet is easily accessible. To do this, rotate the height stop thumb wheel (C), shown, counterclockwise until it is about 1/2" (13 mm) from the top of the threaded height stop rod (D). Raise the plunge lock lever (E), shown in Figure 2, and let the router rise to its full height. Depress the plunge release lever to lock the tool in place.



TECHNICAL DATA

Model	DW625
Voltage	120
Speed	8,000 – 20,000 rpm
Insulation	double insulated
Column	spring loaded twin column
Plunging stroke	2-3/4" (70 mm)
Routing depth	0-70 mm adjustable
Cutter mounting	precision collet, size 1/4" (6.4 mm) and 1/2" (13 mm)
Cutter cap	max. 2-3/8" (60 mm)
Routing	(shallow)
Rotary depth stop	3 stage depth position

Controls

NOTE: Before operating any of the controls, read this whole section.

PLUNGE LOCK LEVER (FIG. 2)

The plunge lock lever (E) allows the router bit to be plunged directly into the workpiece. Simply raise the plunge lock lever when you

want to lower the router into the work, as shown. You can lower the unit until it reaches your preset stop. To lock the tool in place anywhere along its vertical travel, depress the lever.

BIT INSTALLATION AND REMOVAL (FIG. 3, 4)

IMPORTANT NOTE:

Always snap the collet (I) firmly into the collet nut (G), (past the retainer spring) before installing a bit.

Use the supplied wrench and the spindle lock button (H) as necessary to loosen (counterclockwise) the collet nut, as shown.

Insert the round shank of the desired router bit into the loosened collet as far as it will go and then pull it out about 1/16" (1.6 mm).

Hold the spindle shaft by depressing the spindle lock button while firmly tightening the collet nut with the wrench.

Your router has a unique locking system for retaining the bit. When removing a bit, the collet nut must be loosened with the wrench. The collet nut will turn approximately 3/4 of a turn and then become tight again. At this point the bit can't be removed. Using the same procedure, loosen the nut a second time. This lifts the collet and makes it very easy to remove the bit.

FIG. 3

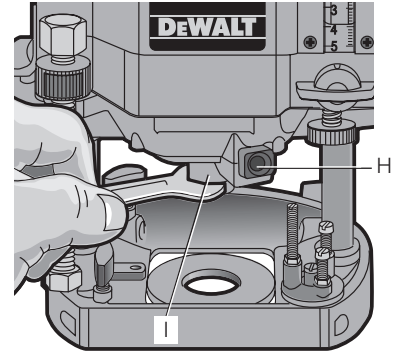
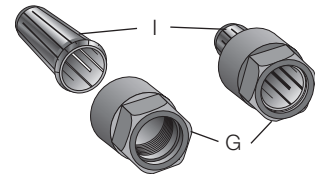


FIG. 4



COLLETS (FIG. 3, 4)

▲ WARNING: *Projectile hazard. Only use bits with shanks that match the installed collet. Smaller shank bits will not be secure and could become loose during operation.*

▲ CAUTION: *Never tighten the collet without first installing a router bit in it. Tightening an empty collet, even by hand, can damage the collet.*

Two collets are included with the motor: one 1/4" (6.4 mm) and one 1/2" (13 mm).

To change collets, unscrew the collet assembly, as described above, sharply pull the old collet out of the collet nut and insert the new collet. Push firmly so that it snaps past the retainer spring in the collet nut.

HEIGHT STOP ROD AND HEIGHT STOP THUMB WHEEL (FIG. 1)

The height stop rod (D) and thumb wheel (C) limit how high the unit can travel up the rails. The system is adjustable from full down where the unit cannot rise regardless of the position of the plunge release lever to full up where the bottom of the collet is 2-7/8" (73 mm) above the workpiece.

For convenience, the thumb wheel is equipped with a quick release button (F) that allows you to disengage the threads for fast positioning by simply depressing the button in the side of the wheel.

NOTE: It is easier to move the height stop thumb wheel UP if the plunge release lever is locked and easier to move the thumb wheel DOWN if the unit is first moved down by releasing the plunge release lever and then tightening it.

MULTI-POSITION TURRET STOP (FIG. 5-7)

▲ WARNING: *Do not change the turret stop while the router is running. This will place your hands too near the cutter head.*

The turret stop (J) limits the downward distance that the tool can be plunged. It consists of three screws of different lengths that serve to define the depth of cut by limiting the travel of the depth stop bar (K). Routing depth can be set by selecting the screw of the appropriate length on the turret. The turret is rotatable with detent stops to properly align the screws.

FIG. 5

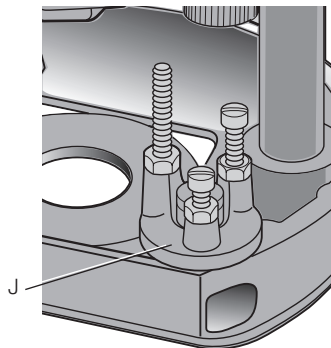
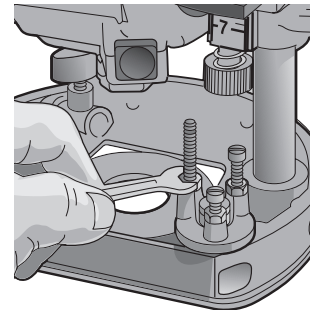


FIG. 6



It is the interaction of the depth stop bar and the turret stop that determine the routing depth.

If none of the provided screws seems close to the desired height each can be adjusted by loosening the hex nut at the bottom and then turning the screw either in or out to make it the proper length. After adjusting this screw be sure to tighten the hex nut at the bottom (Fig. 6.)

Refer to section **Setting the Routing Depth** for instructions on how to use the turret stop in an actual operation.

DEPTH STOP BAR AND VERNIER (FIG. 7)

The depth stop bar (K) contacts the selected screw in the turret stop to limit the routing depth. At the bottom of the depth stop bar is a threaded shaft, a spring (L) and a knurled knob (M), as shown.

A precision vernier scale (N) is provided for extremely accurate adjustment of the routing depth.

Refer to **Setting the Routing Depth** for instructions on how to use the depth stop bar and vernier in an actual operation.

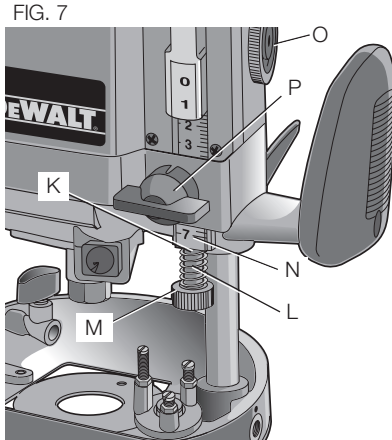


FIG. 7

Familiarization

Please take a little time now and, without plugging the tool in, practice with these adjustments and controls and become familiar with their operation. Only with a complete, “hands on” understanding of these systems will you be able to get the most out of this quality router.

Setting the Routing Depth (Fig. 7)

To set the routing depth follow the steps below:

1. Install the desired router bit as described previously.
2. Position the height stop thumb wheel at the top of the height stop rod. You can either turn the thumb wheel or use the handy quick release button. Refer to **Height Stop Rod and Height Stop Thumb Wheel**.

3. Adjust the depth stop bar to the top of its travel by rotating the depth stop control knob (O).
4. Rotate the turret stop to position the shortest screw under the depth stop bar.
5. Raise the plunge release lever and push the router down until the end of the bit just touches the workpiece.
6. Lower the depth stop bar until the knurled knob on the bottom of it touches the selected screw in the turret stop.
7. Raise or lower the plastic vernier to align the hairline in the vernier with the 0 mark on the graduated scale, as shown.
8. Using the depth stop control knob, raise the depth stop bar and align the desired mark on the graduated scale with the hairline in the vernier, as shown (the scale is graduated in 1/16ths of an inch).
9. Tighten the depth stop bar clamp (P).
10. The router is now set to cut to the set depth when plunged into the workpiece.

Fine Adjustment of Routing Depth (Fig. 7)

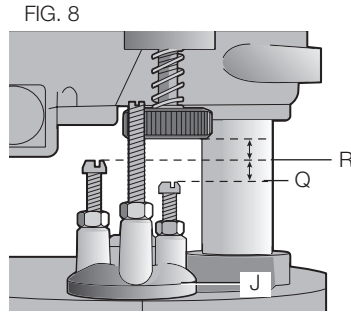
If, after setting the desired depth of cut, a small adjustment is needed, it is not necessary to go through the entire procedure for setting the depth. Minor adjustment can be easily made by rotating the knurled knob (M) on the bottom end of the depth stop bar (K), as shown in Figure 7.

Rotating the knob clockwise (looking down from the top of the router) will result in a more shallow cut. Rotating the knob counterclockwise will result in a deeper cut. One complete rotation of the knob represents about 1 mm in depth adjustment.

Using the Turret Stop for Sequential Routing Depth Settings (Fig. 8)

It is recommended that particularly deep grooves be cut with several passes rather than one deep pass. In order to do this and still maintain accuracy of depth when the job is finished, perform the following procedure.

1. Set the final desired routing depth. Refer to **Setting the Routing Depth**. For the purpose of this discussion, assume that the desired depth is 1/2" (13 mm).
2. With a depth of 1/2" (13 mm), set on the shortest screw (Q) in the turret stop (J), adjust the second shortest screw (R) to a point about halfway between the bottom of the knurled knob and the top of the shortest screw, as shown.
3. Leave the vernier setting alone and turn the adjusted second shortest screw into position under the depth stop bar.
4. Make your first cut at this setting.
5. Rotate the turret stop so that the shortest screw is directly under the depth stop bar and make your final cut.



NOTE: The third screw in the turret stop is provided if your cut is even deeper and you want to make three cuts to achieve the final depth, or set final depth for multiple cuts at one time.

Operation

⚠ CAUTION: Turn the router on before plunging the cutter head into the workpiece.

After setting the cutting depth as described, locate the router such that the bit is directly over the place you will be cutting. With the router running, lower the unit smoothly down into the workpiece. DO NOT JAM THE ROUTER DOWN. When the tool reaches the pre-set depth, depress the plunge lock lever (E, Fig. 1). When you have finished routing, raise the lever and let the spring lift the router directly out of the workpiece.

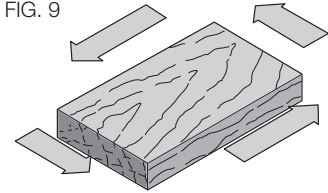
All common routing tasks can be performed with ease with the plunge cut router: grooving, rabbeting, recessing, veining, and profiling on all types of wood and plastic.

Always feed the router opposite to the direction in which the cutter is rotating.

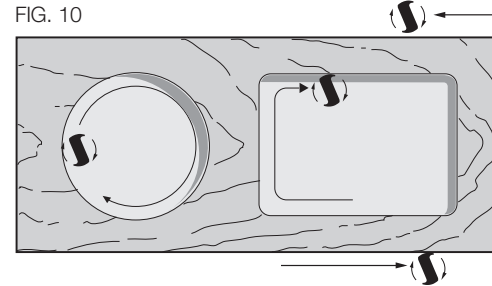
Only carbide-tipped cutters should be used on panels faced with plastic laminates. The hard laminates will quickly dull steel cutters.

Direction Of Feed (Fig. 9, 10)

The direction of feed is very important when routing and can make the difference between a successful job and a ruined project. Figures 9 and 10 show proper direction of feed for some typical cuts.



Mold the outside edge of a piece of stock by molding the end grain, left to right, molding the straight grain side moving left to right, finish the other end grain side, and molding the remaining straight grain edge.



The direction of feed is important in router usage. Be sure the cutter is rotating into the stock by moving left to right on outside edges and clockwise on inside cuts.

⚠ WARNING: Avoid climb-cutting (cutting in direction opposite than shown in Figure 10). Climb-cutting increases the chance for loss of control resulting in possible injury. When climb-cutting is required (backing around a corner), exercise extreme caution to maintain control of router. Make smaller cuts and remove minimal material with each pass.

Using the Edge Guide (Fig. 11, 12)

The DW6913 edge guide, available at extra cost, will increase the versatility of your router. Assemble the guide as shown in Figure 12. When it's fully assembled, insert the two bars through the holes in the router base as shown. Adjust as needed for parallel routing.

The guide will adjust in, all the way to the cutter. In some cases the plastic slides on the guide will interfere with the cutter if they are not loosened and pushed back to provide clearance. Loosen the two screws on each slide and adjust it accordingly.

FIG. 11

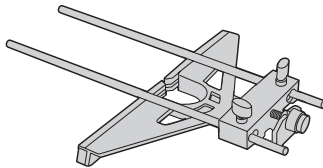
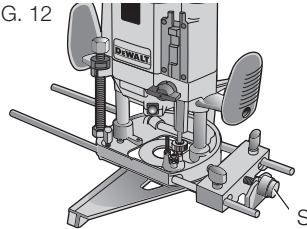


FIG. 12

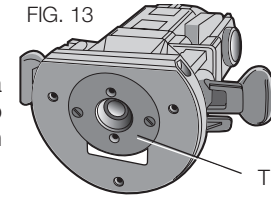


A fine adjust feature is included on the edge guide and is operated by rotating the fine adjust knob (S). Turn the knob clockwise to move the guide in (closer to the bit). Turn the knob counterclockwise to move the guide out (away from the bit).

Template Guide Adapter (Fig. 13)

Your router comes equipped with a template guide adapter (T) and two mounting screws. Put these away in a safe place for future use.

FIG. 13

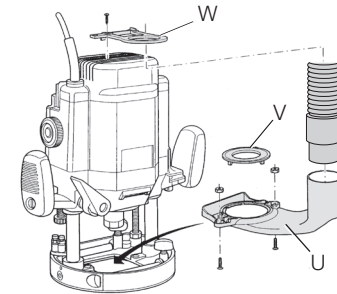


Connecting a Dust Extractor (Fig. 14)

The dust extractor adapter consists of the body (U), the cover (V), and the hose guide (W). Assemble as follows:

1. Slide the cover onto the main body and let it click into place.
2. Connect a dust extractor hose to the outlet.
3. Loosen the screw on the top cover of the router and secure the hose guide in place.

FIG. 14



4. When using dust extraction, be sure that the vacuum cleaner is out of the way and secure so that it will not tip over or interfere with the router or workpiece. The vacuum hose and power cord must also be positioned so that they don't interfere with the router or workpiece. If the vacuum cleaner or vacuum hose cannot be positioned properly, it should be removed.

MAINTENANCE

⚠ WARNING: To reduce the risk of injury, turn unit off and disconnect it from power source before installing and removing accessories, before adjusting or when making repairs. An accidental start-up can cause injury.

Cleaning

▲ WARNING: Blow dirt and dust out of all air vents with clean, dry air at least once a week. To minimize the risk of eye injury, always wear ANSI Z87.1 approved eye protection when performing this.

▲ WARNING: Never use solvents or other harsh chemicals for cleaning the non-metallic parts of the tool. These chemicals may weaken the plastic materials used in these parts. Use a cloth dampened only with water and mild soap. Never let any liquid get inside the tool; never immerse any part of the tool into a liquid.

Accessories

▲ WARNING: Since accessories, other than those offered by DEWALT, have not been tested with this product, use of such accessories with this tool could be hazardous. To reduce the risk of injury, only DEWALT recommended accessories should be used with this product.

Recommended accessories for use with your tool are available at extra cost from your local dealer or authorized service center. If you need assistance in locating any accessory, please contact DEWALT Industrial Tool Co., 701 East Joppa Road, Towson, MD 21286, call 1-800-4-DEWALT (1-800-433-9258) or visit our website: www.dewalt.com.

Repairs

To assure product SAFETY and RELIABILITY, repairs, maintenance and adjustment (including brush inspection and replacement) should be performed by a DEWALT factory service center, a DEWALT authorized service center or other qualified service personnel. Always use identical replacement parts.

Register Online

Thank you for your purchase. Register your product now for:

- **WARRANTY SERVICE:** Registering your product will help you obtain more efficient warranty service in case there is a problem with your product.
- **CONFIRMATION OF OWNERSHIP:** In case of an insurance loss, such as fire, flood or theft, your registration of ownership will serve as your proof of purchase.
- **FOR YOUR SAFETY:** Registering your product will allow us to contact you in the unlikely event a safety notification is required under the Federal Consumer Safety Act.

Register online at www.dewalt.com/register.

Three Year Limited Warranty

DEWALT will repair, without charge, any defects due to faulty materials or workmanship for three years from the date of purchase. This warranty does not cover part failure due to normal wear or tool abuse. For further detail of warranty coverage and warranty repair information, visit www.dewalt.com or call 1-800-4-DEWALT (1-800-433-9258). This warranty does not apply to accessories or damage caused where repairs have been made or attempted by others. This warranty gives you specific legal rights and you may have other rights which vary in certain states or provinces.

In addition to the warranty, DEWALT tools are covered by our:

1 YEAR FREE SERVICE

DEWALT will maintain the tool and replace worn parts caused by normal use, for free, any time during the first year after purchase.

90 DAY MONEY BACK GUARANTEE

If you are not completely satisfied with the performance of your DEWALT Power Tool, Laser, or Nailer for any reason, you can return it within 90 days from the date of purchase with a receipt for a full refund – no questions asked.

LATIN AMERICA: This warranty does not apply to products sold in Latin America. For products sold in Latin America, see country specific warranty information contained in the packaging, call the local company or see website for warranty information.

FREE WARNING LABEL REPLACEMENT: If your warning labels become illegible or are missing, call 1-800-4-DeWALT (1-800-433-9258) for a free replacement.

DW625 3 HP (MAX MOTOR H.P.) ELECTRONIC PLUNGE ROUTER SER. [REDACTED]
⚠ WARNING TO REDUCE THE RISK OF INJURY, USER MUST READ INSTRUCTION MANUAL. ALWAYS USE PROPER EYE AND RESPIRATORY PROTECTION.
<small>DeWALT INDUSTRIAL TOOL CO., 701 EAST JOPPA ROAD, BALTIMORE, MD 21286 U.S.A. FOR SERVICE INFORMATION, CALL 1-800-4-DeWALT www.DeWALT.com</small>

⚠ ADVERTENCIA PARA EL MANEJO SEGURO LEA EL MANUAL DE INSTRUCCIONES. SIEMPRE SE DEBERA LLEVAR LA PROTECCIÓN APROPIADA PARA LA VISTA Y PARA LAS VIAS RESPIRATORIAS.
⚠ AVERTISSEMENT À TITRE PRÉVENTIF, LIRE LE GUIDE, IL FAUT TOUJOURS PORTER DE L'ÉQUIPEMENT DE PROTECTION OCULAIRE ET RESPIRATOIRE APPROPRIÉ.

Définitions : lignes directrices en matière de sécurité

Les définitions ci-dessous décrivent le niveau de danger pour chaque mot-indicateur employé. Lire le mode d'emploi et porter une attention particulière à ces symboles.

▲ DANGER : indique une situation dangereuse imminente qui, si elle n'est pas évitée, **entraînera la mort ou des blessures graves**.

▲ AVERTISSEMENT : indique une situation potentiellement dangereuse qui, si elle n'est pas évitée, **pourrait entraîner la mort ou des blessures graves**.

▲ ATTENTION : indique une situation potentiellement dangereuse qui, si elle n'est pas évitée, **pourrait entraîner des blessures légères ou modérées**.

AVIS : indique une pratique ne posant **aucun risque de dommages corporels** mais qui par contre, si rien n'est fait pour l'éviter, **pourrait poser des risques de dommages matériels**.

POUR TOUTE QUESTION OU REMARQUE AU SUJET DE CET OUTIL OU DE TOUT AUTRE OUTIL DEWALT, COMPOSEZ LE NUMÉRO SANS FRAIS : **1-800-4-DEWALT (1-800-433-9258)**.



AVERTISSEMENT : afin de réduire le risque de blessures, lire le mode d'emploi de l'outil.

Avertissements de sécurité généraux pour les outils électriques



AVERTISSEMENT ! Lire tous les avertissements de sécurité et toutes les directives. Le non-respect des avertissements et des directives pourrait se solder par un choc électrique, un incendie et/ou une blessure grave.

CONSERVER TOUS LES AVERTISSEMENTS ET TOUTES LES DIRECTIVES POUR UN USAGE ULTÉRIEUR

Le terme « outil électrique » cité dans les avertissements se rapporte à votre outil électrique à alimentation sur secteur (avec fil) ou par piles (sans fil).

1) SÉCURITÉ DU LIEU DE TRAVAIL

- Tenir l'aire de travail propre et bien éclairée.** Les lieux encombrés ou sombres sont propices aux accidents.
- Ne pas faire fonctionner d'outils électriques dans un milieu déflamant, tel qu'en présence de liquides, de gaz ou de poussières inflammables.** Les outils électriques produisent des étincelles qui pourraient enflammer la poussière ou les vapeurs.
- Éloigner les enfants et les personnes à proximité pendant l'utilisation d'un outil électrique.** Une distraction pourrait en faire perdre la maîtrise à l'utilisateur.

2) SÉCURITÉ EN MATIÈRE D'ÉLECTRICITÉ

- Les fiches des outils électriques doivent correspondre à la prise. Ne jamais modifier la fiche d'aucune façon. Ne jamais utiliser de fiche d'adaptation avec un outil électrique mis à la terre.** Le risque de choc électrique sera réduit par l'utilisation de fiches non modifiées correspondant à la prise.
- Éviter tout contact physique avec des surfaces mises à la terre comme des tuyaux, des radiateurs, des cuisinières et des réfrigérateurs.** Le risque de choc électrique est plus élevé si votre corps est mis à la terre.
- Ne pas exposer les outils électriques à la pluie ou à l'humidité.** La pénétration de l'eau dans un outil électrique augmente le risque de choc électrique.

- d) **Ne pas utiliser le cordon de façon abusive. Ne jamais utiliser le cordon pour transporter, tirer ou débrancher un outil électrique. Tenir le cordon éloigné de la chaleur, de l'huile, des bords tranchants et des pièces mobiles.** Les cordons endommagés ou enchevêtrés augmentent les risques de choc électrique.
- e) **Pour l'utilisation d'un outil électrique à l'extérieur, se servir d'une rallonge convenant à cette application.** L'utilisation d'une rallonge conçue pour l'extérieur réduira les risques de choc électrique.
- f) **S'il est impossible d'éviter l'utilisation d'un outil électrique dans un endroit humide, brancher l'outil dans une prise ou sur un circuit d'alimentation dotés d'un disjoncteur de fuite à la terre (GFCI).** L'utilisation de ce type de disjoncteur réduit les risques de choc électrique.

3) SÉCURITÉ PERSONNELLE

- a) **Être vigilant, surveiller le travail effectué et faire preuve de jugement lorsqu'un outil électrique est utilisé. Ne pas utiliser d'outil électrique en cas de fatigue ou sous l'influence de drogues, d'alcool ou de médicaments.** Un simple moment d'inattention en utilisant un outil électrique peut entraîner des blessures corporelles graves.
- b) **Utiliser des équipements de protection individuelle. Toujours porter une protection oculaire.** L'utilisation d'équipements de protection comme un masque antipoussière, des chaussures antidérapantes, un casque de sécurité ou des protecteurs auditifs lorsque la situation le requiert réduira les risques de blessures corporelles.
- c) **Empêcher les démarrages intempestifs. S'assurer que l'interrupteur se trouve à la position d'arrêt avant de relier l'outil à une source d'alimentation et/ou d'insérer un bloc-piles, de ramasser ou de transporter l'outil.** Transporter un outil électrique alors que le doigt repose sur l'interrupteur ou brancher un outil électrique dont

l'interrupteur est à la position de marche risque de provoquer un accident.

- d) **Retirer toute clé de réglage ou clé avant de démarrer l'outil.** Une clé ou une clé de réglage attachée à une partie pivotante de l'outil électrique peut provoquer des blessures corporelles.
- e) **Ne pas trop tendre les bras. Conserver son équilibre en tout temps.** Cela permet de mieux maîtriser l'outil électrique dans les situations imprévues.
- f) **S'habiller de manière appropriée. Ne pas porter de vêtements amples ni de bijoux. Garder les cheveux, les vêtements et les gants à l'écart des pièces mobiles.** Les vêtements amples, les bijoux ou les cheveux longs risquent de rester coincés dans les pièces mobiles.
- g) **Si des composants sont fournis pour le raccordement de dispositifs de dépoussiérage et de ramassage, s'assurer que ceux-ci sont bien raccordés et utilisés.** L'utilisation d'un dispositif de dépoussiérage peut réduire les dangers engendrés par les poussières.

4) UTILISATION ET ENTRETIEN D'UN OUTIL ÉLECTRIQUE

- a) **Ne pas forcer un outil électrique. Utiliser l'outil électrique approprié à l'application.** L'outil électrique approprié effectuera un meilleur travail, de façon plus sûre et à la vitesse pour laquelle il a été conçu.
- b) **Ne pas utiliser un outil électrique dont l'interrupteur est défectueux.** Tout outil électrique dont l'interrupteur est défectueux est dangereux et doit être réparé.
- c) **Débrancher la fiche de la source d'alimentation et/ou du bloc-piles de l'outil électrique avant de faire tout réglage ou changement d'accessoire ou avant de ranger l'outil.** Ces mesures préventives réduisent les risques de démarrage accidentel de l'outil électrique.
- d) **Ranger les outils électriques hors de la portée des enfants et ne permettre à aucune personne n'étant pas familière avec un outil électrique ou son mode d'emploi**

d'utiliser cet outil. Les outils électriques deviennent dangereux entre les mains d'utilisateurs inexpérimentés.

- e) **Entretien des outils électriques. Vérifier si les pièces mobiles sont mal alignées ou coincées, si des pièces sont brisées ou présentent toute autre condition susceptible de nuire au bon fonctionnement de l'outil électrique. En cas de dommage, faire réparer l'outil électrique avant toute nouvelle utilisation.** Beaucoup d'accidents sont causés par des outils électriques mal entretenus.
- f) **S'assurer que les outils de coupe sont aiguisés et propres.** Les outils de coupe bien entretenus et affûtés sont moins susceptibles de se coincer et sont plus faciles à maîtriser.
- g) **Utiliser l'outil électrique, les accessoires, les forets, etc. conformément aux présentes directives en tenant compte des conditions de travail et du travail à effectuer.** L'utilisation d'un outil électrique pour toute opération autre que celle pour laquelle il a été conçu est dangereuse.

5) RÉPARATION

- a) **Faire réparer l'outil électrique par un réparateur professionnel en n'utilisant que des pièces de rechange identiques.** Cela permettra de maintenir une utilisation sécuritaire de l'outil électrique.

CONSERVER CES MESURES À TITRE DE RÉFÉRENCE

Double isolation

Les outils à double isolation comportent deux couches distinctes d'isolant électrique qui protègent l'utilisateur contre les risques de blessures provenant du système électrique de l'outil

Ce système de double isolation élimine le besoin de mettre les outils à la terre. En effet, l'outil est muni d'une fiche à deux broches,

ce qui permet d'utiliser une rallonge ordinaire sans avoir à se soucier d'assurer la mise à la terre.

REMARQUE : la double isolation ne dispense pas des mesures de sécurité normales lors de l'utilisation de l'outil. Elle vise à procurer une protection supplémentaire contre les blessures que peut entraîner une défectuosité de l'isolant électrique à l'intérieur de l'outil.

⚠ATTENTION : LORS DE L'ENTRETIEN, N'UTILISER QUE DES PIÈCES DE RECHANGE IDENTIQUES. Réparer ou remplacer les cordons endommagés.

Fiche polarisée

Afin de réduire les risques de secousses électriques, l'outil est muni d'une fiche polarisée (une lame plus large que l'autre). Ce genre de fiche n'entre que d'une façon dans une prise polarisée. Lorsqu'on ne peut insérer la fiche à fond dans la prise, il faut tenter de le faire après avoir inversé les lames de côté. Si la fiche n'entre toujours pas dans la prise, il faut communiquer avec un électricien certifié. Il ne faut pas modifier la fiche.

Directives particulières aux toupies

- **Tenir l'outil électrique par ses parties isolées, car l'organe de coupe pourrait entrer en contact avec son cordon.** Couper un fil sous tension pourra mettre les parties métalliques exposées de l'outil électrique sous tension et électrocuter l'utilisateur.
- **Utilisez des serres de fixation ou un autre dispositif de fixation permettant de soutenir et de retenir la pièce sur une plate-forme stable.** Tenir la pièce avec la main ou contre son corps n'est pas suffisamment stable et risque de provoquer une perte de maîtrise de l'outil.
- **Découpage du métal à la toupie : si la toupie sert à découper du métal, il faut la nettoyer souvent.** La poussière de métal s'accumule souvent sur les surfaces intérieures et pourrait causer des blessures sérieuses, une électrocution ou la mort.

- **Ne jamais faire tourner le bloc-moteur hors de sa base.** Le moteur n'a pas été conçu pour être tenu manuellement.
- **Maintenir les poignées sèches, propres et exemptes d'huile et de graisse** afin de mieux maîtriser l'outil.
- **Maintenir une prise ferme sur l'outil, à deux mains, pour résister à tout couple de démarrage.** Maintenir systématiquement l'outil fermement.
- **Utiliser des fraises aiguisées.** Les fraises émoussées peuvent faire zigzaguer la toupie ou la bloquer sous la pression.
- **Maintenir les mains éloignées des zones de coupe dessus et dessous la base. Ne jamais passer les doigts sous le matériau pour quelque raison que ce soit.** S'assurer de bien maintenir la base de la toupie en contact avec la pièce lors de la coupe.
- **Ne jamais toucher à la mèche immédiatement après l'avoir utilisée,** car elle peut être extrêmement chaude.
- **Ne pas utiliser des fraises à défoncer d'un diamètre supérieur à 60 mm (2-3/8 po).**
- **Suivre systématiquement les recommandations de vitesse du fabricant, car certaines fraises nécessitent de tourner à des vitesses spécifiques pour des raisons de sécurité ou de performances.** Si l'on n'est pas sûr de la vitesse adéquate ou si l'on rencontre un problème quelconque, contacter le fabricant des fraises.
- **Ne pas tenir manuellement la toupie à l'envers ou horizontalement.** Le moteur pourrait se détacher de la base s'il n'est pas correctement rattaché conformément aux instructions.
- **Avant de mettre le moteur en marche, vérifier que le cordon ne s'enchevêtrera pas dans la toupie ou n'entravera pas son fonctionnement.**
- **Avant de mettre le moteur en marche, éliminer tout objet étranger de l'aire de travail.**
- **Maintenir une pression de coupe constante. Ne pas surcharger le moteur.**
- **Laisser un espace sous la pièce pour la fraise pour couper la pièce de part en part.**
- **Ne pas appuyer sur le bouton de verrouillage de la broche lorsque le moteur tourne.** Cela pourrait endommager le verrouillage de broche.
- **S'assurer systématiquement que la surface de travail ne comporte ni clou ni objets étrangers.** Le fait de couper dans un clou pourra faire rebondir la fraise ou l'outil.
- **Attendre que le moteur s'arrête complètement avant de déposer la toupie.** Si l'arête tranchante tourne encore lorsqu'on dépose l'outil, on risque de causer des dommages ou des blessures.
- **S'assurer que la mèche n'est pas en contact avec la pièce avant de démarrer le moteur,** afin d'éviter de faire bondir la toupie et de causer des dommages ou des blessures.
- **Prendre des précautions à proximité des événements, car ils cachent des pièces mobiles.** Vêtements amples, bijoux ou cheveux longs risquent de rester coincés dans ces pièces mobiles.
- **Pour la sécurité de l'utilisateur, utiliser une rallonge de calibre adéquat (AWG, American Wire Gauge [calibrage américain normalisé des fils électriques]).** Plus le calibre est petit, et plus sa capacité est grande. Un calibre 16, par exemple, a une capacité supérieure à un calibre 18. L'usage d'une rallonge de calibre insuffisant causera une chute de tension qui entraînera perte de puissance et surchauffe. Si plus d'une rallonge est utilisée pour obtenir une certaine longueur, s'assurer que chaque rallonge présente au moins le calibre de fil minimum. Le tableau ci-dessous illustre les calibres à utiliser selon la longueur de rallonge et l'intensité nominale indiquée sur la plaque signalétique. En cas de doute, utiliser le calibre suivant. Plus le calibre est petit, plus la rallonge peut supporter de courant.

Calibres minimaux des rallonges						
Intensité (en ampères)		volts	Longueur totale de cordon en mètres (pieds)			
		120 V	7,6 (25)	15,2 (50)	30,5 (100)	45,7 (150)
		240 V	15,2 (50)	30,5 (100)	61,0 (200)	91,4 (300)
Supérieur à	Inférieur à	AWG				
0	6	18	16	16	14	
6	10	18	16	14	12	
10	12	16	16	14	12	
12	16	14	12	Non recommandé		

⚠️ AVERTISSEMENT : porter **SYSTEMATIQUEMENT** des lunettes de protection. Les lunettes courantes NE sont PAS des lunettes de protection. Utiliser aussi un masque antipoussières si la découpe doit en produire beaucoup. **PORTER SYSTEMATIQUEMENT UN EQUIPEMENT DE SÉCURITÉ HOMOLOGUÉ :**

- Protection oculaire ANSI Z87.1 (CAN/CSA Z94.3) ;
- Protection auditive ANSI S12.6 (S3.19) ;
- Protection des voies respiratoires NIOSH/OSHA/MSHA.

⚠️ AVERTISSEMENT : les scies, meules, ponceuses, perceuses ou autres outils de construction peuvent produire des poussières contenant des produits chimiques reconnus par l'État californien pour causer cancers, malformations congénitales ou être nocifs au système reproducteur. Parmi ces produits chimiques, on retrouve :

- Le plomb dans les peintures à base de plomb ;
- La silice cristallisée dans les briques et le ciment, ou autres produits de maçonnerie ; et
- L'arsenic et le chrome dans le bois ayant subi un traitement chimique.

Le risque associé à de telles expositions varie selon la fréquence à laquelle on effectue ces travaux. Pour réduire toute exposition à ces produits : travailler dans un endroit bien aéré, en utilisant du matériel de sécurité homologué, tel un masque antipoussières spécialement conçu pour filtrer les particules microscopiques.

- **Limitier toute exposition prolongée avec les poussières provenant du ponçage, sciage, meulage, perçage ou toute autre activité de construction. Porter des vêtements de protection et nettoyer à l'eau savonneuse les parties du corps exposées.** Le fait de laisser la poussière pénétrer dans la bouche, les yeux ou la peau peut favoriser l'absorption de produits chimiques dangereux.

⚠️ AVERTISSEMENT : cet outil peut produire et/ou répandre de la poussière susceptible de causer des dommages sérieux et permanents au système respiratoire. Utiliser systématiquement un appareil de protection des voies respiratoires homologué par le NIOSH ou l'OSHA. Diriger les particules dans le sens opposé au visage et au corps.

⚠️ AVERTISSEMENT : pendant l'utilisation, porter systématiquement une protection auditive individuelle adéquate homologuée ANSI S12.6 (S3.19). Sous certaines conditions et suivant la durée d'utilisation, le bruit émanant de ce produit pourrait contribuer à une perte de l'acuité auditive.

- L'étiquette apposée sur votre outil peut inclure les symboles suivants. Les symboles et leur définition sont indiqués ci-après :

V..... volts	A..... ampères
Hz..... hertz	W..... watts
min minutes	~ ou AC..... courant alternatif
— ou DC... courant continu	
Ⓜ classe I fabrication (mis à la terre)	≈ ou AC/DC... courant alternatif ou continu

□ fabrication	no vitesse à vide
	classe II	n vitesse
	(double isolation)		nominale
.../min par minute	⊕ borne de terre
IPM impacts par	▲ symbole
	minute		d'avertissement
BPM battements par	r/min tours par
	minute		minute
sfp pieds linéaires	SPM (FPM) fréquence par
	par minute (plpm)		minute
▲ rayonnement visible		

CONSERVER CES CONSIGNES POUR UTILISATION ULTÉRIEURE

Moteur

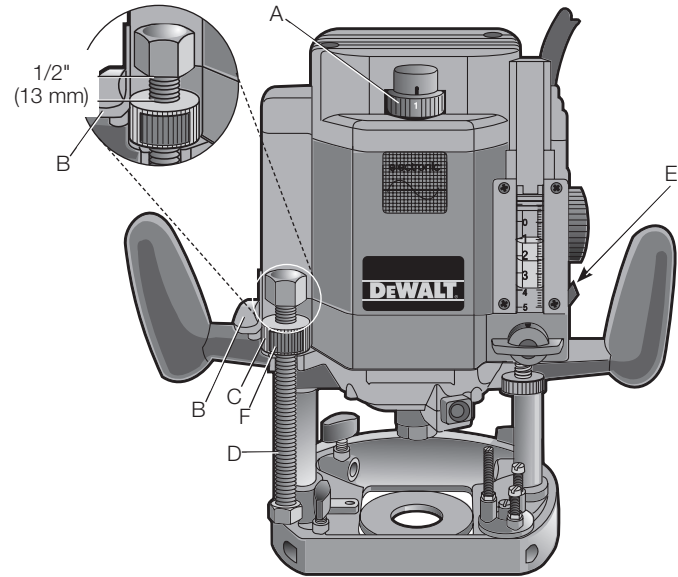
S'assurer que le bloc d'alimentation est compatible avec l'inscription de la plaque signalétique. Une diminution de tension de plus de 10 % provoquera une perte de puissance et une surchauffe. Les outils DEWALT sont testés en usine ; si cet outil ne fonctionne pas, vérifier l'alimentation électrique.

DESCRIPTION (Fig. 1)

▲ AVERTISSEMENT : ne jamais modifier l'outil électrique ni aucun de ses composants, car il y a risques de dommages corporels ou matériels.

- | | |
|--------------------------------------|--------------------------------------|
| A. Moletée du contrôle de la vitesse | D. Tige filetée du limiteur |
| B. L'interrupteur | E. Levier de verrouillage de plongée |
| C. Limiteur de course à tête moletée | F. Bouton de dégagement rapide |

FIG. 1



USAGE PRÉVU

Cette toupie industrielle a été conçue pour le touillage professionnel. **NE PAS** les utiliser en milieu ambiant humide ou en présence de liquides ou de gaz inflammables.

C'est un outil électrique de professionnels. **NE PAS** le laisser à la portée des enfants. Une supervision est nécessaire auprès de tout utilisateur non expérimenté.

La commande électronique du moteur consiste en deux fonctions de base.

A. Démarrage en douceur - Lorsqu'on met la toupie en marche, il n'y a pas de coups en raison de l'accélération rapide du moteur. Le circuit de démarrage de la toupie fait accélérer doucement le moteur jusqu'à l'obtention de la vitesse requise, sans donner de coups, ce qui facilite la maîtrise de l'outil au démarrage.

B. Régime constant - Lorsque la toupie fonctionne, elle ne ralentit pas sous la charge dans des conditions d'utilisation normales. La commande électronique régit le moteur et assure une finition uniforme du travail. La vitesse de l'outil diminue seulement sous des conditions d'utilisation très dures.

Pour régler la vitesse de la toupie (de 8 000 à 20 000 trs/min), faire tourner la tête moletée du contrôle de la vitesse (A) (Fig. 1). Plus le chiffre indiqué est élevé, plus la vitesse de l'outil est élevée. Consulter le Tableau 1 afin de déterminer la bonne vitesse pour l'utilisation de la toupie.

TABLEAU 1: SÉLECTION DE VITESSE

RÉGLAGE CADRAN	R/MIN APPROX. R/MIN
1	8 000
2	12 000
3	16 000
4	18 000
5	20 000

Les vitesses de ce tableau sont approximatives et ne sont données qu'à titre de référence. Votre toupie pourra ne pas produire exactement la vitesse correspondant au réglage affiché sur le cadran.

⚠AVERTISSEMENT : suivre systématiquement les recommandations du fabricant de forêts quant à la vitesse, car certains forêts ont été conçus pour des vitesses spécifiques pour des raisons de sécurité ou de performances. Si vous n'êtes pas sûr de la vitesse correcte ou rencontrez un problème quelconque, veuillez contacter le fabricant du forêt.

⚠AVERTISSEMENT : ne pas utiliser d'outils conçus exclusivement pour du CA sur du CC. Une panne du régulateur automatique de vitesse pourrait en résulter, et poser des risques de dommages matériels et corporels.

⚠AVERTISSEMENT : si le régulateur automatique de vitesse cessait de fonctionner, ou devenait intermittent, interrompre immédiatement l'utilisation de l'outil. Le rapporter à une usine DEWALT ou chez un service de réparation agréé pour réparation.

AVIS : les toupies sont équipées d'une fonction électronique pour contrôler et maintenir la vitesse de l'outil pendant la coupe. En vitesse réduite ou moyenne, le régulateur automatique de vitesse évite que la vitesse du moteur chute. Si l'on s'attend à percevoir un changement de vitesse, et on continue à pousser le moteur, cela pourra le faire surchauffer et l'endommager. Réduire la profondeur de coupe et/ou ralentir la vitesse d'alimentation pour prévenir tout dommage matériel.

PRÉPARATION EN VUE DE L'UTILISATION

Le moteur de la toupie est très puissant (750 watts max.). Il est toutefois recommandé de faire au moins deux passes pour découper des rainures profondes ou pour enlever une importante quantité de matériau.

Interrupteur (Fig. 1)

MISE EN MARCHÉ DE LA MACHINE

⚠AVERTISSEMENT : toujours débrancher l'outil avant d'en remplacer un accessoire afin d'éviter les risques d'accidents.

L'interrupteur (B) des plus pratiques se pousse vers le haut pour la mise en marche et vers la bas pour l'ARRÊT.

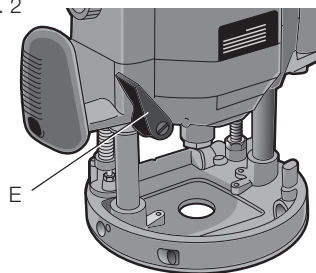
UTILISATION (Fig. 1, 2)

⚠AVERTISSEMENT : pour réduire le risque de blessures, éteindre l'appareil et le débrancher avant d'installer ou de retirer tout accessoire et avant d'effectuer des réglages ou des réparations. Un démarrage accidentel peut provoquer des blessures.

⚠ATTENTION : avant de connecter l'outil au secteur, vérifier que l'interrupteur est bien en position d'ARRÊT. Tout démarrage accidentel comporte des risques de dommages corporels.

REMARQUE : pour installer une mèche, il faut d'abord déposer l'outil de façon à accéder facilement au porte-mèche. Pour y arriver, faire tourner le limiteur de course à tête moletée (C) dans le sens antihoraire sur environ 13 mm (1/2 po) à partir du haut de la tige filetée du limiteur (D). Soulever le levier de verrouillage de plongée (E) de la course plongeante et laisser monter la toupie au maximum (fig. 2). Abaisser le levier de dégagement de la course plongeante afin de verrouiller l'outil en place.

FIG. 2



DONNÉES TECHNIQUES

Modèle	DW625
Tension	120 volts
Vitesse	De 8 000 à 20 000 trs/min
Isolation	Double
Colonne	Double à ressort
Course plongeante	70 mm (2-3/4 po)
Profondeur de coupe	De 0 à 70 mm, réglable

Installation de la mèche

Porte-mèche de précision, de 6,4 mm (1/4 po) et 13 mm (1/2 po)

Mèche

60 mm max. (2-3/8 po)

Toupillage

(peu profond)

Limiteur de profondeur rotatif

À trois positions

Commandes

REMARQUE : bien lire toute la section qui suit avant d'utiliser les commandes de l'outil.

LEVIER DE VERROUILLAGE DE PLONGÉE (FIG. 2)

Le levier de verrouillage de plongée (E) permet à la fraise à défoncer de plonger directement dans la pièce à travailler. Il suffit de lever le levier de verrouillage de plongée pour abaisser la toupie dans la pièce à travailler, comme illustré. On peut abaisser l'outil jusqu'à la butée préétablie. Pour verrouiller l'outil à une certaine hauteur, il suffit d'abaisser le levier.

INSTALLATION ET RETRAIT DES MÈCHES (FIG. 3, 4)

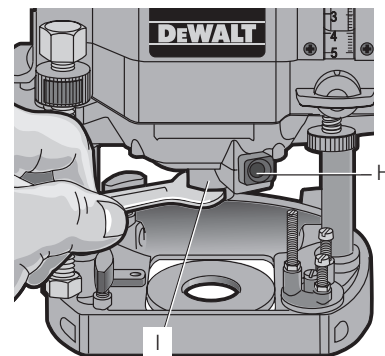
NOTE IMPORTANTE :

FIG. 3

Toujours enclencher fermement le porte-mèche (I) dans l'écrou (G) (au-delà de la bague de retenue) avant d'installer la mèche.

Utiliser au besoin la clé fournie et le dispositif de verrouillage de l'arbre (H) pour desserrer (dans le sens antihoraire) l'écrou du porte-mèche.

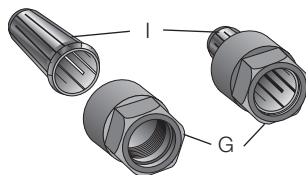
Insérer au maximum l'arbre rond de la mèche voulue dans le collet lâche, puis la ressortir



d'environ 1,6 mm (1/16 po). Retenir l'arbre de la toupie en enfonçant le bouton de verrouillage et serrer fermement l'écrou du porte-mèche à l'aide de la clé.

La toupie est dotée d'un dispositif de verrouillage exclusif pour retenir les mèches. Lorsqu'on retire une mèche, il faut desserrer l'écrou du porte-mèche à l'aide de la clé. L'écrou du porte-mèche tourne d'environ 3/4 de tour, puis il se resserre. On ne peut alors plus retirer la mèche. Suivre de nouveau les consignes précédentes pour desserrer l'écrou du porte-mèche. On soulève de la sorte le porte-mèche et cela facilite le retrait de la mèche.

FIG. 4



PORTE-MÈCHE (FIG. 3, 4)

⚠AVERTISSEMENT : risques de projections. Utiliser exclusivement des fraises dont la tige cadre parfaitement avec la douille présente. Les fraises à tige de taille inférieure ne peuvent être arrimées de façon sécuritaire et pourraient se libérer pendant l'utilisation.

⚠ATTENTION : ne jamais serrer la douille avant d'y avoir d'abord inséré une arête; on risque d'endommager une douille sans arête, même lorsqu'on la serre manuellement.

Deux douilles sont fournies avec le moteur : une de 6,4 mm (1/4 po) et l'autre de 13 mm (1/2 po). Pour changer d'une douille à l'autre, dévisser son assemblage tel que décrit précédemment, Pour remplacer le porte-mèche, le dévisser de la façon décrite précédemment. Tirer d'un coup sec sur le porte-mèche pour le sortir de l'écrou et y insérer le nouveau porte-mèche. Bien pousser sur ce dernier jusqu'à ce qu'il s'enclenche au-delà de la bague de retenue de l'écrou du porte-mèche.

LIMITEUR DE COURSE À TIGE ET À TÊTE MOLETÉE (FIG. 1)

La tige filetée du limiteur (D) et le limiteur de course à tête moletée (C) limitent la hauteur de course de l'outil sur les rails. Ce système se règle de la position complètement abaissée (d'où l'outil ne peut se soulever peu importe la position du levier de dégagement de la course plongeante) à la position entièrement soulevée (où le bas de la mèche se trouve à 73 mm (2-7/8 po) de la pièce à ouvrir).

Par souci de commodité, la tête moletée est dotée d'un bouton de dégagement rapide (F) permettant de dégager le dispositif des filets de la tige afin de modifier rapidement la hauteur en appuyant sur le bouton situé sur le côté de la tête.

REMARQUE : Il est plus facile de déplacer la tête moletée vers le HAUT lorsque le levier est verrouillé et il est plus facile de la déplacer vers le BAS lorsqu'on place d'abord l'outil en position abaissée à l'aide du levier qu'on verrouille ensuite.

LIMITEUR À TOURELLE À NOMBREUSES POSITIONS (FIG. 5-7)

⚠AVERTISSEMENT : ne pas déplacer la tourelle alors que la toupie tourne. Cela rapprocherait vos mains trop près de l'organe de coupe.

FIG. 5

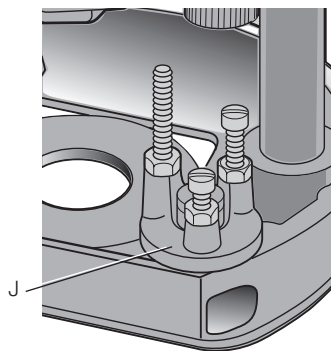
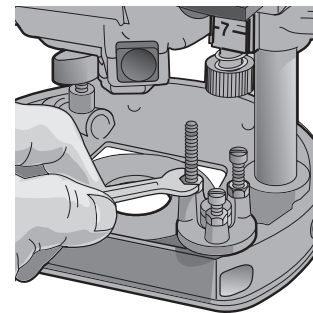


FIG. 6



Le limiteur à tourelle (J) restreint la distance en profondeur de l'outil. Il s'agit de trois vis de différentes longueurs servant à définir la profondeur de coupe en limitant la course de la tige de contrôle de la profondeur (K). On peut régler la profondeur de toupillage en choisissant la vis de la longueur appropriée. La tourelle tourne et elle est dotée de limiteurs de course à détente afin de bien aligner les vis.

L'interaction de la tige de contrôle de la profondeur et du limiteur à tourelle détermine la profondeur du toupillage.

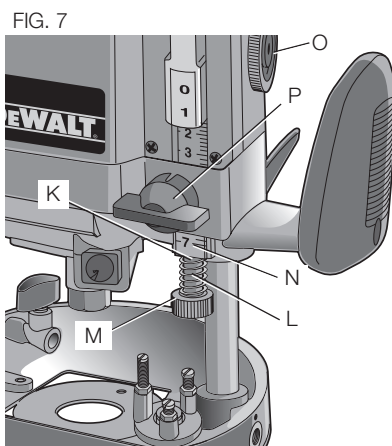
Lorsque les vis ne sont pas de la longueur voulue, il est possible de régler chacune d'entre elles en desserrant l'écrou hexagonal du dessous et en enfonçant ou en sortant la vis à la longueur voulue. Après avoir réglé la vis, bien resserrer l'écrou hexagonal du dessous (Fig. 6).

Reportez-vous à la section **Le réglage de la profondeur** pour savoir comment utiliser le limiteur à tourelle pendant les travaux réels.

COULISSE ET VERNIER DE CONTRÔLE DE LA PROFONDEUR (FIG. 7)

La coulisse de contrôle de la profondeur (K) entre en contact avec la vis choisie du limiteur à tourelle pour restreindre la profondeur de toupillage. Au bas de la coulisse, il y a une tige filetée (L), un ressort et une tête moletée (M).

L'outil est également doté d'une échelle à vernier (N) de précision assurant le réglage exact de la profondeur.



Reportez-vous à la section **Le réglage de la profondeur** afin de savoir comment utiliser la coulisse et le vernier de contrôle de la profondeur.

Familiarisation

Prendre le temps qu'il faut pour pratiquer les réglages suivants, sans brancher l'outil, et pour se familiariser avec les commandes. Il faut faire quelques essais «à blanc» avant de tirer le meilleur de cet outil de qualité supérieure.

Réglage de la profondeur (Fig. 7)

Faire ce qui suit pour régler la profondeur de coupe de la toupie :

1. Choisir la mèche voulue et l'installer de la façon décrite précédemment.
2. Placer le limiteur de course à tête moletée dans le haut de la tige. On peut faire tourner la tête moletée ou utiliser le bouton de dégagement rapide. Reportez-vous à la section **Limiteur de course à tige et à tête moletée**.
3. Régler la coulisse dans le haut de sa course en faisant tourner le bouton de contrôle du limiteur de profondeur (O).
4. Faire tourner le limiteur à tourelle jusqu'à ce que la plus courte des vis se trouve directement sous la coulisse du limiteur de profondeur.
5. Soulever le levier de dégagement de la course plongeante et abaisser la toupie jusqu'à ce que la mèche touche à peine la surface à ouvrir.
6. Abaisser la coulisse du limiteur de profondeur jusqu'à ce que la tête moletée sous la coulisse touche à la vis choisie du limiteur à tourelle.
7. Soulever ou abaisser le vernier en plastique de façon à aligner la ligne fine du vernier sur la marque 0 de l'échelle graduée.
8. Utiliser le bouton de contrôle de la profondeur pour soulever la coulisse et l'aligner sur la marque voulue de l'échelle graduée grâce à la ligne fine du vernier. (L'échelle est graduée en multiples de 1/16 po.)

9. Serrer la bride de serrage de la coulisse du limiteur de profondeur (P).
10. La toupie est maintenant réglée pour toupiller à la profondeur établie lorsqu'on la plonge dans la pièce à ouvrir.

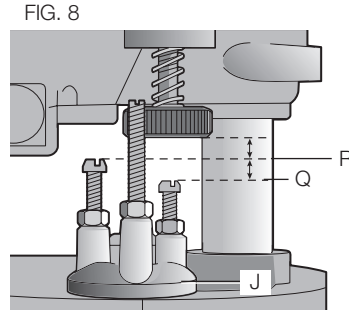
Réglage précis de la profondeur de toupie (Fig. 7)

Lorsqu'il faut effectuer un réglage minime après avoir réglé la profondeur (M) de coupe, il n'est pas nécessaire de repasser toutes les étapes relatives au réglage de la profondeur. Il suffit de faire tourner la tête moletée qui se trouve au bas de la coulisse (K) (fig. 7). Lorsqu'on le tourne dans le sens horaire (en se plaçant au-dessus de la toupie), la coupe est peu profonde. Lorsqu'on le tourne dans le sens antihoraire, la coupe est plus profonde. Un tour complet de la tête équivaut à un réglage de profondeur d'environ 1 mm.

Réglage séquentiel de la profondeur (Fig. 8)

Il est conseillé de toupiller en plusieurs passes les rainures profondes. Pour ce faire et pour maintenir la précision de la profondeur de coupe, il suffit de faire comme suit.

1. Régler de la façon décrite précédemment la profondeur finale de la coupe. Reportez-vous à la section **Le réglage de la profondeur**. Pour l'exemple, supposons qu'il s'agit de 13 mm (1/2 po).
2. Régler la profondeur de 13 mm (1/2 po) à la plus courte des vis (Q) du limiteur à tourelle (J). Régler la vis moyenne à une valeur à mi-chemin entre le bas de la tête moletée et le haut de la courte vis (R).



3. Ne pas tenir compte de l'échelle à vernier et placer la vis moyenne réglée sous la coulisse du limiteur de profondeur.
4. Effectuer la première passe à ce réglage.
5. Faire tourner le limiteur à tourelle de sorte que la courte vis se trouve sous la coulisse du limiteur de profondeur et effectuer la dernière passe.

REMARQUE : La troisième vis du limiteur à tourelle est utilisée pour effectuer des coupes encore plus profondes en trois passes ou pour régler la profondeur finale de nombreuses coupes faites en une seule fois.

Fonctionnement

ATTENTION : mettre la toupie en marche avant de plonger l'organe de coupe dans la pièce à travailler.

Après avoir réglé la profondeur de coupe de la façon décrite, placer la toupie de sorte que la mèche se trouve directement au-dessus de l'endroit à découper. Lorsque la toupie est en marche, l'abaisser doucement dans la pièce à ouvrir. (NE PAS LA DESCENDRE BRUSQUEMENT.) Lorsque l'outil atteint la profondeur prédéterminée, abaisser le levier de verrouillage de plongée (E, Fig. 1). À la fin des travaux, soulever le levier et laisser le ressort soulever la toupie directement hors de la pièce.

La toupie effectue facilement la plupart des tâches habituelles : rainures, feuillures, veinures et moulures dans tous les types de bois et dans le plastique.

Toujours faire avancer la toupie dans le sens opposé à celui du fonctionnement de la mèche.

Utiliser seulement des mèches à pointes de carbure pour découper des panneaux recouverts de plastique. En effet, les plastiques durs émoussent rapidement les couteaux en acier.

Sens de l'alimentation (Fig. 9, 10)

Le sens de l'alimentation est très important lorsqu'on utilise une toupeuse. C'est ce qui fait la différence entre un travail bien fait ou un projet ruiné. Les figures 9 et 10 montrent le bon sens d'alimentation de la toupeuse pour certains travaux typiques.

Pour mouler l'extérieur d'une pièce, il faut faire ce qui suit : ouvrir le grain de bout de gauche à droite, travailler le grain droit de gauche à droite, faire l'autre grain de bout et finir par le dernier côté dt.

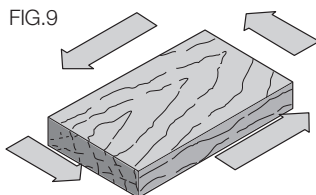
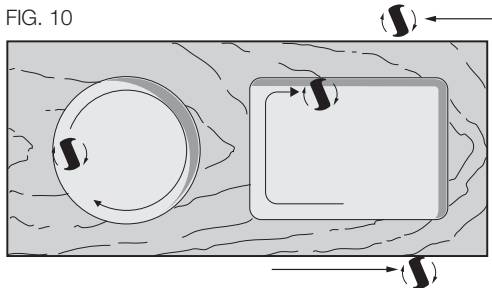


FIG. 10



Le sens d'alimentation est essentiel au bon fonctionnement de la toupeuse. S'assurer que le couteau tourne de gauche à droite sur les rebords et dans le sens horaire, pour les coupes intérieures.

⚠AVERTISSEMENT : éviter tout usinage tangentiel en avalant (couper dans la direction opposée à celle indiquée en figure 10). L'usinage tangentiel en avalant augmente les risques de perdre le contrôle de l'outil et de dommages corporels. Lorsque c'est nécessaire (recul dans un coin), prendre des précautions extrêmes pour maintenir le contrôle de la toupeuse. Effectuer des coupes plus réduites et retirer un minimum de matériau à chaque passage.

Utilisation du guide de chant (Fig. 11, 12)

Le modèle de guide de chant DW6913, vendu séparément, augmentera la versatilité de votre toupeuse. Monter le guide de la façon illustrée à la figure 12. Lorsqu'il est monté, insérer les deux tiges dans les trous du socle de la toupeuse. Régler au besoin pour toupiller en parallèle.

Le guide de règle jusqu'à la mèche. Dans certains cas, les côtés en plastique du guide nuisent au fonctionnement de la mèche. Il faut alors les desserrer et les pousser vers l'arrière afin d'obtenir le jeu nécessaire. Il suffit de desserrer les deux vis de chaque coulisse et de les régler en conséquence.

Le guide de chant est équipé d'une fonction de réglage de précision activée en tournant le bouton de précision (S). Faire tourner la tête moletée dans le sens horaire pour déplacer le guide vers l'intérieur (près de la mèche). Faire tourner la tête moletée dans le sens antihoraire pour déplacer le guide vers l'extérieur (loin de la mèche).

FIG. 11

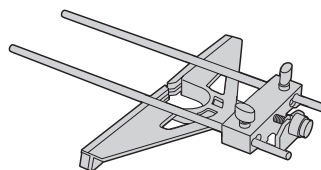
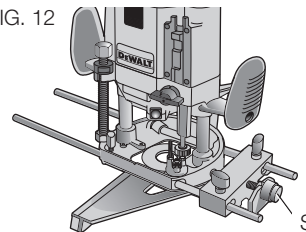


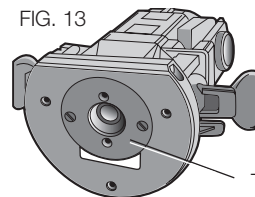
FIG. 12



Adaptateur pour guide-toupeuse (Fig. 13)

L'emballage comprend un adaptateur pour guide-toupeuse (T) et deux vis de montage. Les ranger dans un endroit sûr lorsqu'on ne s'en sert.

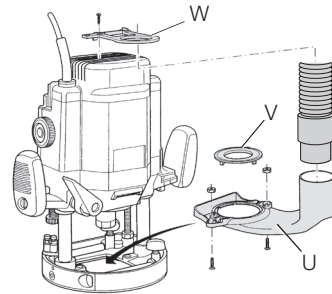
FIG. 13



Raccord à un dépoussiéreur (Fig. 14)

L'adaptateur du dépoussiéreur comporte un corps (U), un couvercle (V) et un guide-boyau (W). Monter comme suit.

FIG. 14



1. Faire glisser le couvercle sur le corps et le laisser s'enclencher en place.
2. Raccorder le boyau d'un dépoussiéreur à l'orifice.
3. Desserrer la vis sur le dessus du couvercle de la toupie et fixer le guide-boyau en place.
4. Lorsqu'on utilise le système de dépoussiérage, s'assurer que l'aspirateur ne nuit pas et qu'il ne présente aucun risque de chute. Il faut également placer le boyau et le cordon de l'aspirateur de sorte qu'ils ne nuisent pas au bon fonctionnement de la toupie. Lorsque l'aspirateur ou le boyau nuisent au bon fonctionnement de la toupie, il vaut mieux ne pas s'en servir.

MAINTENANCE

⚠AVERTISSEMENT : pour réduire le risque de blessures, éteindre l'appareil et le débrancher avant d'installer ou de retirer tout accessoire et avant d'effectuer des réglages ou des réparations. Un démarrage accidentel peut provoquer des blessures.

Nettoyage

⚠AVERTISSEMENT : enlever les saletés et la poussière hors des événements au moyen d'air comprimé propre et sec, au moins une fois par semaine. Pour minimiser le risque de blessure aux yeux, toujours porter une protection oculaire conforme à la norme ANSI Z87.1 lors du nettoyage.

⚠AVERTISSEMENT : ne jamais utiliser de solvants ni d'autres produits chimiques puissants pour nettoyer les pièces non métalliques de l'outil. Ces produits chimiques peuvent affaiblir les matériaux de plastique utilisés dans ces pièces. Utiliser un chiffon humecté uniquement d'eau et de savon doux. Ne jamais laisser de liquide pénétrer dans l'outil et n'immerger aucune partie de l'outil dans un liquide.

Accessoires

⚠AVERTISSEMENT : puisque les accessoires autres que ceux offerts par DEWALT n'ont pas été testés avec ce produit, leur utilisation pourrait s'avérer dangereuse. Pour réduire le risque de blessures, utiliser exclusivement les accessoires DEWALT recommandés avec le présent produit.

Les accessoires recommandés pour cet outil sont vendus séparément au centre de service de votre région. Pour obtenir de l'aide concernant l'achat d'un accessoire, communiquer avec DEWALT Industrial Tool Co., 701 East Joppa Road, Towson, MD 21286 aux États-Unis; composer le 1 800 433-9258 (1 800 4-DEWALT) ou visiter notre site Web : www.dewalt.com.

Réparations

Pour assurer la SÉCURITÉ et la FIABILITÉ du produit, les réparations, l'entretien et les réglages doivent être réalisés (cela comprend l'inspection et le remplacement du balai) par un centre de réparation en usine DEWALT, un centre de réparation agréé DEWALT ou par d'autres techniciens qualifiés. Toujours utiliser des pièces de rechange identiques.

Registre en ligne

Merci pour votre achat. Enregistrez dès maintenant votre produit :

- **RÉPARATIONS SOUS GARANTIE:** cette carte remplie vous permettra de vous prévaloir du service de réparations sous garantie de façon plus efficace dans le cas d'un problème avec le produit.

- **CONFIRMATION DE PROPRIÉTÉ:** en cas de perte provoquée par un incendie, une inondation ou un vol, cette preuve de propriété vous servira de preuve auprès de votre compagnie d'assurances.
- **SÉCURITÉ:** l'enregistrement de votre produit nous permettra de communiquer avec vous dans l'éventualité peu probable de l'envoi d'un avis de sécurité régi par la loi fédérale américaine de la protection des consommateurs.

Registrez en ligne à www.dewalt.com/register.

Garantie limitée de trois ans

DEWALT réparera, sans frais, tout produit défectueux causé par un défaut de matériel ou de fabrication pour une période de trois ans à compter de la date d'achat. La présente garantie ne couvre pas les pièces dont la défectuosité a été causée par une usure normale ou l'usage abusif de l'outil. Pour obtenir de plus amples renseignements sur les pièces ou les réparations couvertes par la présente garantie, visiter le site www.dewalt.com ou composer le 1 800 433-9258 (1 800 4-DEWALT). Cette garantie ne s'applique pas aux accessoires et ne vise pas les dommages causés par des réparations effectuées par un tiers. Cette garantie confère des droits légaux particuliers à l'acheteur, mais celui-ci pourrait aussi bénéficier d'autres droits variant d'un état ou d'une province à l'autre.

En plus de la présente garantie, les outils DEWALT sont couverts par notre :

CONTRAT D'ENTRETIEN GRATUIT D'UN AN

DEWALT entretiendra l'outil et remplacera les pièces usées au cours d'une utilisation normale et ce, gratuitement, pendant une période d'un an à compter de la date d'achat.

GARANTIE DE REMBOURSEMENT DE 90 JOURS

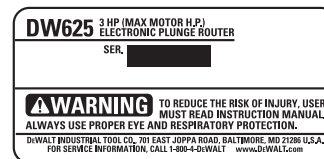
Si l'acheteur n'est pas entièrement satisfait, pour quelque raison que ce soit, du rendement de l'outil électrique, du laser ou de la cloueuse DEWALT, celui-ci peut le retourner, accompagné d'un

reçu, dans les 90 jours à compter de la date d'achat pour obtenir un remboursement intégral, sans aucun problème.

AMÉRIQUE LATINE : cette garantie ne s'applique aux produits vendus en Amérique latine. Pour ceux-ci, veuillez consulter les informations relatives à la garantie spécifique présente dans l'emballage, appeler l'entreprise locale ou consulter le site Web pour les informations relatives à cette garantie.

REMPACEMENT GRATUIT DES ÉTIQUETTES D'AVERTISSEMENT : si les étiquettes d'avertissement deviennent illisibles ou sont manquantes, composer le 1 800 433-9258 (1 800

4-DEWALT) pour en obtenir le remplacement gratuit.



Definiciones: Normas de seguridad

Las siguientes definiciones describen el nivel de gravedad de cada palabra de señal. Lea el manual y preste atención a estos símbolos.

⚠ PELIGRO: indica una situación de peligro inminente que, si no se evita, provocará **la muerte o lesiones graves**.

⚠ ADVERTENCIA: indica una situación de peligro potencial que, si no se evita, **podría provocar la muerte o lesiones graves**.

⚠ ATENCIÓN: indica una situación de peligro potencial que, si no se evita, **posiblemente provocaría lesiones leves o moderadas**.

AVISO: se refiere a una práctica **no relacionada a lesiones corporales** que de no evitarse **puede resultar en daños a la propiedad**.

SI TIENE ALGUNA DUDA O ALGÚN COMENTARIO SOBRE ÉSTA U OTRA HERRAMIENTA DEWALT, LLÁMENOS AL NÚMERO GRATUITO: 1-800-4-DEWALT (1-800-433-9258).



ADVERTENCIA: Para reducir el riesgo de lesiones, lea el manual de instrucciones.

Advertencias generales de seguridad para herramientas eléctricas



¡ADVERTENCIA! Lea todas las advertencias de seguridad e instrucciones. El incumplimiento de las advertencias e instrucciones puede provocar descargas eléctricas, incendios o lesiones graves.

CONSERVE TODAS LAS ADVERTENCIAS E INSTRUCCIONES PARA FUTURAS CONSULTAS

El término “herramienta eléctrica” incluido en las advertencias hace referencia a las herramientas eléctricas operadas con corriente (con cable eléctrico) o a las herramientas eléctricas operadas con baterías (inalámbricas).

1) SEGURIDAD EN EL ÁREA DE TRABAJO

- Mantenga el área de trabajo limpia y bien iluminada.** Las áreas abarrotadas y oscuras propician accidentes.
- No opere las herramientas eléctricas en atmósferas explosivas, como ambientes donde haya polvo, gases o líquidos inflamables.** Las herramientas eléctricas originan chispas que pueden encender el polvo o los vapores.
- Mantenga alejados a los niños y a los espectadores de la herramienta eléctrica en funcionamiento.** Las distracciones pueden provocar la pérdida de control.

2) SEGURIDAD ELÉCTRICA

- Los enchufes de la herramienta eléctrica deben adaptarse al tomacorriente. Nunca modifique el enchufe de ninguna manera. No utilice ningún enchufe adaptador con herramientas eléctricas con conexión a tierra.** Los enchufes no modificados y que se adaptan a los tomacorrientes reducirán el riesgo de descarga eléctrica.
- Evite el contacto corporal con superficies con descargas a tierra como, por ejemplo, tuberías, radiadores, cocinas eléctricas y refrigeradores.** Existe mayor riesgo de descarga eléctrica si su cuerpo está puesto a tierra.
- No exponga las herramientas eléctricas a la lluvia o a condiciones de humedad.** Si entra agua a una herramienta eléctrica, aumentará el riesgo de descarga eléctrica.
- No maltrate el cable. Nunca utilice el cable para transportar, tirar o desenchufar la herramienta eléctrica. Mantenga el cable alejado del calor, el aceite,**

los bordes filosos y las piezas móviles. Los cables dañados o enredados aumentan el riesgo de descarga eléctrica.

- e) **Al operar una herramienta eléctrica en el exterior, utilice un cable prolongador adecuado para tal uso.** Utilice un cable adecuado para uso en exteriores a fin de reducir el riesgo de descarga eléctrica.
- f) **Si el uso de una herramienta eléctrica en un lugar húmedo es imposible de evitar, utilice un suministro protegido con un interruptor de circuito por falla a tierra (GFCI).** El uso de un GFCI reduce el riesgo de descargas eléctricas.

3) SEGURIDAD PERSONAL

- a) **Permanezca alerta, controle lo que está haciendo y utilice el sentido común cuando emplee una herramienta eléctrica. No utilice una herramienta eléctrica si está cansado o bajo el efecto de drogas, alcohol o medicamentos.** Un momento de descuido mientras se opera una herramienta eléctrica puede provocar lesiones personales graves.
- b) **Utilice equipos de protección personal. Siempre utilice protección para los ojos.** En las condiciones adecuadas, el uso de equipos de protección, como máscaras para polvo, calzado de seguridad antideslizante, cascos o protección auditiva, reducirá las lesiones personales.
- c) **Evite el encendido por accidente. Asegúrese de que el interruptor esté en la posición de apagado antes de conectarlo a la fuente de energía o paquete de baterías, o antes de levantar o transportar la herramienta.** Transportar herramientas eléctricas con el dedo apoyado en el interruptor o enchufar herramientas eléctricas con el interruptor en la posición de encendido puede propiciar accidentes.
- d) **Retire la clavija de ajuste o la llave de tuercas antes de encender la herramienta eléctrica.** Una llave de tuercas

o una clavija de ajuste que quede conectada a una pieza giratoria de la herramienta eléctrica puede provocar lesiones personales.

- e) **No se estire. Conserve el equilibrio y párese adecuadamente en todo momento.** Esto permite un mejor control de la herramienta eléctrica en situaciones inesperadas.
- f) **Use la vestimenta adecuada. No use ropas holgadas ni joyas. Mantenga el cabello, la ropa y los guantes alejados de las piezas en movimiento.** Las ropas holgadas, las joyas o el cabello largo pueden quedar atrapados en las piezas en movimiento.
- g) **Si se suministran dispositivos para la conexión de accesorios con fines de recolección y extracción de polvo, asegúrese de que estén conectados y que se utilicen correctamente.** El uso de dispositivos de recolección de polvo puede reducir los peligros relacionados con el polvo.

4) USO Y MANTENIMIENTO DE LA HERRAMIENTA ELÉCTRICA

- a) **No fuerce la herramienta eléctrica. Utilice la herramienta eléctrica correcta para el trabajo que realizará.** Si se la utiliza a la velocidad para la que fue diseñada, la herramienta eléctrica correcta permite trabajar mejor y de manera más segura.
- b) **No utilice la herramienta eléctrica si no puede encenderla o apagarla con el interruptor.** Toda herramienta eléctrica que no pueda ser controlada mediante el interruptor es peligrosa y debe repararse.
- c) **Desconecte el enchufe de la fuente de energía o el paquete de baterías de la herramienta eléctrica antes de realizar ajustes, cambiar accesorios o almacenar la herramienta eléctrica.** Estas medidas de seguridad preventivas reducen el riesgo de encender la herramienta eléctrica en forma accidental.

- d) **Guarde la herramienta eléctrica que no esté en uso fuera del alcance de los niños y no permita que otras personas no familiarizadas con ella o con estas instrucciones operen la herramienta.** Las herramientas eléctricas son peligrosas si son operadas por usuarios no capacitados.
- e) **Realice el mantenimiento de las herramientas eléctricas. Revise que no haya piezas en movimiento mal alineadas o trabadas, piezas rotas o cualquier otra situación que pueda afectar el funcionamiento de la herramienta eléctrica. Si encuentra daños, haga reparar la herramienta eléctrica antes de utilizarla.** Se producen muchos accidentes a causa de las herramientas eléctricas que carecen de un mantenimiento adecuado.
- f) **Mantenga las herramientas de corte afiladas y limpias.** Las herramientas de corte con mantenimiento adecuado y con los bordes de corte afilados son menos propensas a trabarse y son más fáciles de controlar.
- g) **Utilice la herramienta eléctrica, los accesorios y las brocas de la herramienta, etc. de acuerdo con estas instrucciones y teniendo en cuenta las condiciones de trabajo y el trabajo que debe realizarse.** El uso de la herramienta eléctrica para operaciones diferentes de aquéllas para las que fue diseñada podría originar una situación peligrosa.

5) MANTENIMIENTO

- a) **Solicite a una persona calificada en reparaciones que realice el mantenimiento de su herramienta eléctrica y que sólo utilice piezas de repuesto idénticas.** Esto garantizará la seguridad de la herramienta eléctrica.

CONSERVE ESTAS INSTRUCCIONES PARA REFERENCIAS FUTURAS

Doble aislamiento

Las herramientas con doble aislamiento se han construido de manera integral con dos “capas” separadas de aislamiento eléctrico entre usted y el sistema eléctrico que contienen.

Las herramientas elaboradas con este sistema de aislamiento no requieren conectarse a tierra. Como resultado, su unidad está equipada con una clavija de dos patas que le permite emplear cordones de extensión sin preocuparse por tener una conexión a tierra.

NOTA: El doble aislamiento no substituye a las precauciones normales de seguridad cuando se opera esta herramienta. La finalidad de este sistema de aislamiento es ofrecer a usted protección añadida contra la lesión resultante de fallas en el aislamiento eléctrico interno de la unidad.

¡ATENCIÓN: UTILICE SOLAMENTE REFACCIONES IDENTICAS cuando se haga servicio a cualquier herramienta. Repare o reemplace los cables dañados.

Clavijas polarizadas

Se emplean clavijas polarizadas (con una pata más ancha que la otra) para reducir el riesgo de choque eléctrico. Estas clavijas se ajustan a las tomas de corriente de una sola manera. Si la clavija no se acopla completamente en la toma, inviértala. Si aún así no se ajusta, contacte a un electricista calificado para que le instale el contacto adecuado. No modifique la clavija en ninguna manera.

Instrucciones adicionales específicas para rebajadoras

- **Sujete la herramienta eléctrica por superficies de agarre aisladas, porque la cuchilla puede entrar en contacto con su propio cable.** Cortar un cable bajo tensión puede transmitir corriente a las partes metálicas expuestas de la herramienta y producir una descarga eléctrica al operador.
- **Utilice abrazaderas u otra forma práctica para asegurar y sostener la pieza de trabajo sobre una plataforma**

estable. Sostener el trabajo con la mano o contra el cuerpo no brinda la estabilidad requerida y puede llevar a la pérdida del control.

- **Corte de metales con el router: si utiliza el router para cortar metal, limpie con frecuencia la herramienta.** El polvo metálico y las virutas se acumulan a menudo en las superficies interiores y pueden suponer un riesgo de lesiones graves, electrocución e incluso muerte.
- **No ponga nunca en funcionamiento la unidad del motor separada de la base.** El motor no está diseñado para ser sujetado con las manos.
- **Conserve los mangos secos, limpios y libres de aceite y grasa.** Esto le permitirá controlar mejor la herramienta.
- **Sujete bien la herramienta con ambas manos para resistir el momento de arranque.** Agarre firmemente la herramienta en todo momento mientras esté en funcionamiento.
- **Use cortadores afilados.** Las cuchillas desafiladas pueden hacer que la sierra se desvíe o se atasque al recibir presión.
- **Mantenga las manos alejadas de la zona de corte por encima y por debajo de la base. No ponga nunca la mano debajo de la pieza de trabajo por ningún motivo.** Conserve la base de la rebajadora en contacto firme con la pieza de trabajo cuando corte.
- **Nunca toque el pedacito inmediatamente después del uso.** Puede ser extremadamente caliente.
- **No utilice en esta herramienta con brocas de rebajadora de un diámetro superior a 60 mm (2-3/8").**
- **Siga siempre las recomendaciones de velocidad del fabricante de la broca puesto que algunos diseños de broca requieren velocidades específicas para seguridad o rendimiento.** Si no está seguro de la velocidad adecuada o tiene cualquier tipo de problema, contacte con el fabricante de la broca.
- **No sujete la rebajadora con las manos en posición boca abajo u horizontal.** El motor puede separarse de la base si no está bien fijo según las instrucciones.

- **Antes de poner en marcha el motor, compruebe que el cable no se enganche ni impida la operación de rebajado.**
- **Antes de poner el motor en marcha, despeje el área de trabajo de todos los objetos extraños.**
- **Mantenga constante la presión de corte. No sobrecargue el motor.**
- **Deje espacio bajo la pieza de trabajo para la broca cuando realice cortes con traspaso.**
- **No presione el botón de bloqueo del eje mientras el motor esté en funcionamiento.** El hacerlo puede dañar el bloqueo del eje.
- **Asegúrese siempre de que la superficie de trabajo no tenga clavos ni otros objetos extraños.** El cortar un clavo puede hacer que la broca y la herramienta salten.
- **Sea seguro que el motor ha parado totalmente antes de que usted ponga la rebajadora abajo.** Si la cabeza cortadora todavía está haciendo girar cuando es la herramienta layed abajo, podría causar daño o lesión.
- **Sea seguro que el pedacito de la rebajadora está claro del objeto antes de encender el motor.** Si el pedacito está en contacto con el objeto cuando el comienzo del motor él podría hacer que la rebajadora salta, causando daño o lesión.
- **Los orificios de ventilación suelen cubrir piezas en movimiento, por lo que también se deben evitar.** Las piezas en movimiento pueden atrapar prendas de vestir sueltas, joyas o el cabello largo.
- **El cable de extensión deben ser de un calibre apropiado para su seguridad.** Mientras menor sea el calibre del hilo, mayor la capacidad del cable. Es decir, un hilo calibre 16 tiene mayor capacidad que uno de 18. Un cable de un calibre insuficiente causará una caída en la tensión de la línea dando por resultado una pérdida de energía y sobrecalentamiento. Cuando se utilice más de un alargador para completar el largo total, asegúrese que los hilos de cada alargador tengan el calibre mínimo. La tabla siguiente muestra el tamaño correcto

a utilizar, dependiendo de la longitud del cable y del amperaje nominal de la placa de identificación. Si tiene dudas sobre cuál calibre usar, use un calibre mayor. Cuanto más pequeño sea el número del calibre, más resistente será el cable.

Calibre mínimo para cables de alimentación						
Amperaje		Voltios	Largo total del cordón en metros (pies)			
			120 V	7,6 (25)	15,2 (50)	30,5 (100)
		240 V	15,2 (50)	30,5 (100)	61,0 (200)	91,4 (300)
Más de	No más de	AWG				
0	6		18	16	16	14
6	10		18	16	14	12
10	12		16	16	14	12
12	16		14	12	No recomendado	

⚠ADVERTENCIA: Use **SIEMPRE** lentes de seguridad. Los anteojos de diario **NO SON** lentes de seguridad. Utilice además una cubrebocas o mascarilla antipolvo si la operación de corte genera demasiado polvo. **SIEMPRE LLEVE EQUIPO DE SEGURIDAD CERTIFICADO:**

- Protección ocular ANSI Z87.1 (CAN/CSA Z94.3),
- Protección auditiva ANSI S12.6 (S3.19),
- Protección respiratoria NIOSH/OSHA/MSHA.

⚠ADVERTENCIA: Algunas partículas de polvo generadas al lijar, serrar, esmerilar y taladrar con herramientas eléctricas, así como al realizar otras actividades de construcción, contienen químicos que el Estado de California sabe que pueden producir cáncer, defectos congénitos u otras afecciones reproductivas. Ejemplos de estos químicos son:

- plomo de algunas pinturas en base a plomo,

- polvo de sílice proveniente de ladrillos y cemento y otros productos de albañilería, y
- arsénico y cromo provenientes de madera tratada químicamente.

Su riesgo de exposición a estos químicos varía, dependiendo de la frecuencia con la cual realiza usted este tipo de trabajo. Para reducir su exposición a estas sustancias químicas: trabaje en una zona bien ventilada y llevando equipos de seguridad aprobados, como mascarillas antipolvo especialmente diseñadas para filtrar partículas microscópicas.

- **Evite el contacto prolongado con polvo generado por el lijado, aserrado, pulido, taladrado y otras actividades de construcción. Vista ropas protectoras y lave las áreas de la piel expuestas con agua y jabón.** Si permite que el polvo se introduzca en la boca u ojos o quede sobre la piel, puede favorecer la absorción de productos químicos peligrosos.

⚠ADVERTENCIA: La utilización de esta herramienta puede generar polvo o dispersarlo, lo que podría causar daños graves y permanentes al sistema respiratorio, así como otras lesiones. Siempre use protección respiratoria aprobada por NIOSH (Instituto Nacional de Seguridad y Salud en el Trabajo) u OSHA (Administración de Seguridad y Salud en el Trabajo) apropiada para la exposición al polvo. Dirija las partículas en dirección contraria a la cara y el cuerpo.

⚠ADVERTENCIA: Siempre lleve la debida protección auditiva personal en conformidad con ANSI S12.6 (S3.19) durante el uso de esta herramienta. Bajo algunas condiciones y duraciones de uso, el ruido producido por este producto puede contribuir a la pérdida auditiva.

- La etiqueta de su herramienta puede incluir los siguientes símbolos. A continuación se indican los símbolos y sus definiciones:

V.....voltios

A..... amperios

Hz.....hertz

W..... vatios

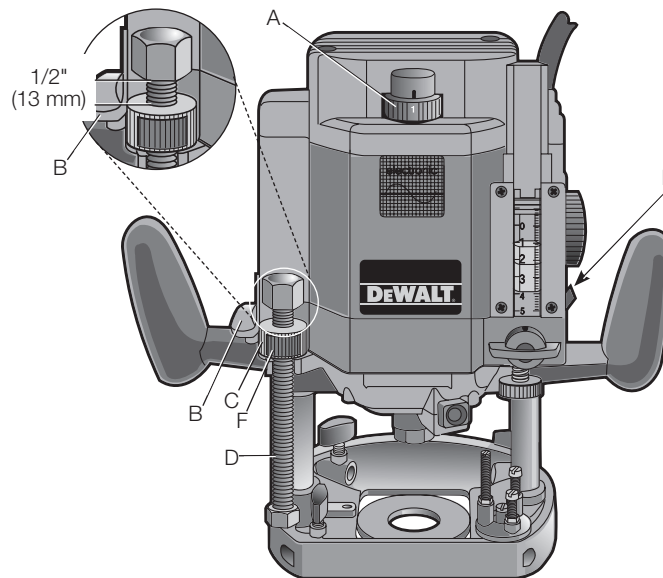
min	minutos	~ o AC	corriente alterna
— — — o DC	corriente directa	⎓ o AC/DC	corriente alterna o directa
Ⓜ	Construcción de Clase I (tierra)	n	velocidad nominal
Ⓜ	Construcción de Clase II (doble aislamiento)	n _o	velocidad sin carga
.../min	por minuto	⊕	terminal de conexión a tierra
IPM	impactos por minuto	⚠	símbolo de advertencia de seguridad
sfpm	pies de superficie por minuto	☠	radiación visible
RPM	revoluciones por minuto		
BPM	golpes por minuto		
SPM	pasadas por minuto		

GUARDE ESTAS INSTRUCCIONES PARA FUTURAS CONSULTAS

Motor

Asegúrese de que la fuente de energía concuerde con lo que se indica en la placa. Un descenso en el voltaje de más del 10% producirá una pérdida de potencia y sobrecalentamiento. Todas las herramientas DEWALT son probadas en fábrica; si esta herramienta no funciona, verifique el suministro eléctrico.

FIG. 1



COMPONENTES (Fig. 1)

⚠ ADVERTENCIA: Nunca modifique la herramienta eléctrica, ni tampoco ninguna de sus piezas. Podría producir lesiones corporales o daños.

- A. Ajustar la velocidad
- B. Interruptor
- C. Anillo de tope de altura
- D. Varilla de tope de profundidad
- E. Palanca de bloqueo del émbolo
- F. Botón de liberación rápida

USO DEBIDO

Esta rebajadora para trabajos pesados está diseñada para aplicaciones de rebajado profesional.

NO utilice la herramienta en condiciones de humedad o en presencia de líquidos o gases inflamables.

Esta es una máquina herramienta profesional. **NO** permita que los niños toquen la herramienta. Si el operador no tiene experiencia operando esta herramienta, su uso deberá ser supervisado.

El sistema de control electrónico del motor cuenta con dos características básicas.

A. Encendido suave - cuando usted encienda la rebajadora, notará que no sufre el jaloneo debido a la rápida aceleración del motor. Esta rebajadora cuenta con un circuito de encendido que acelera el motor con suavidad, sin jaloneos, y le permite conservar el control más fácilmente durante el periodo de arranque.

B. Velocidad de corte constante - al aplicar carga a la rebajadora, la velocidad de corte no se reducirá durante el uso normal. El control electrónico gobierna al motor y le permitirá obtener un acabado consistente en su pieza de trabajo. La velocidad se reducirá solamente bajo cargas muy pesadas.

Para ajustar la velocidad (A) de la rebajadora (de 8 000 a 20 000 rpm) gire la perilla de control de velocidad. Mientras mayor sea el número, mayor será la velocidad. Consulte la TABLA 1 para ayudarse a seleccionar la velocidad apropiada para su aplicación.

TABLA 1: SELECCIÓN DE VELOCIDAD

POSICIÓN DEL SELECTOR	RPM APROXIMADAS
1	8 000
2	12 300
3	16 000
4	18 000
5	20 000

Las velocidades que aparecen en esta tabla son aproximadas y se ofrecen solamente a título de referencia. Su rebajadora quizás no produzca exactamente la velocidad indicada para la posición del selector.

⚠️ ADVERTENCIA: *Siga siempre las recomendaciones de velocidad del fabricante de la broca puesto que algunos diseños de broca requieren velocidades específicas por razones de seguridad o rendimiento. Si no está seguro de la velocidad adecuada o tiene cualquier tipo de problema, contacte con el fabricante de la broca.*

⚠️ ADVERTENCIA: *No opere herramientas clasificadas “solamente CA” en un suministro de CC. Puede producirse una pérdida de control de velocidad, que ocasione daño a la herramienta y un posible peligro al operador.*

⚠️ ADVERTENCIA: *Si el control de velocidad deja de funcionar, o está intermitente, deje de usar la herramienta inmediatamente. Llévela a una fábrica o centro de servicio autorizado DEWALT para que sea reparada.*

AVISO: *La rebajadora está equipada con un dispositivo electrónico para controlar y mantener la velocidad de la herramienta al cortar. En funcionamiento a velocidad baja y media, el control de velocidad evita que disminuya la velocidad del motor. Si espera a oír un cambio de velocidad y continúa cargando el motor, podría dañar el motor sobrecalentándolo. Reduzca la profundidad del corte y/o disminuya la velocidad de alimentación para evitar producir daños a la herramienta.*

PREPARACION

El motor de esta rebajadora es de alta potencia (750 Watts, max.). A pesar de esto, es recomendable cortar canales profundos o remover grandes cantidades de material en dos o más pasadas.

Interruptor (Fig. 1)

PARA ENCENDER LA MÁQUINA

NOTA: siempre desconecte la clavija del cordón eléctrico de la toma de corriente cuando vaya a cambiar una cuchilla o un accesorio para evitar cualquier posibilidad de accidentes.

Empuje el interruptor (B) hacia arriba para ENCENDER y hacia abajo para APAGAR.

OPERACIÓN (Fig. 1, 2)

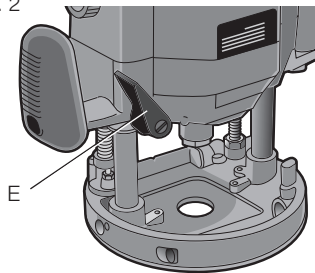
⚠ADVERTENCIA: Para reducir el riesgo de lesiones personales graves, apague la herramienta y desconéctela de la fuente de alimentación antes de instalar y retirar accesorios, ajustar o cambiar configuraciones o realizar reparaciones. Un arranque accidental podría causar lesiones.

⚠ATENCIÓN: Antes de conectar la herramienta a la fuente de alimentación, compruebe que el interruptor esté en la posición de APAGADO ("OFF"). La puesta en marcha accidental puede causar lesiones.

NOTA: Antes de instalar una cuchilla en su rebajadora, coloque la unidad de tal manera que la boquilla quede fácilmente accesible. Para hacer esto, gire el anillo de tope de altura (C), en sentido contrario a las manecillas del reloj hasta quedar aproximadamente a 13 mm (1/2") del extremo de la varilla de tope de

profundidad (D) con cuerda. Levante la palanca de bloqueo del émbolo (E) de las columnas, mostrada en la Figura 2 y permita que la rebajadora se eleve a su altura máxima. Oprima la palanca de liberación de las columnas para asegurar la herramienta en su lugar.

FIG. 2



INFORMACIÓN TÉCNICA

Modelo	DW625
Tensión de alimentación	120
Velocidad	8 000- 20 000 rpm
Aislamiento	doble aislamiento
Columna	columnas gemelas con muelles
Carrera de penetración	70 mm (2-3/4")
Profundidad de corte	ajustable de 0 a 70 mm
Montaje de cuchillas	boquilla de precisión, 13 mm (1/2") y 6,4 mm (1/4")
Tapa de cuchilla	máx. 60 mm (2-3/8")
Rebajado	superficial
Tope de profundidad rotativo	Posición de 3 pasos

Controles

NOTA: Antes de operar cualquiera de los controles, lea esta sección completa.

PALANCA DE BLOQUEO DEL ÉMBOLO (FIG. 2)

La palanca de bloqueo del émbolo (E) permite a la broca de la rebajadora penetrar directamente en la pieza de trabajo. Simplemente eleve la palanca de bloqueo del émbolo cuando quiera bajar la rebajadora hasta penetrar la pieza de trabajo, como se muestra. Usted puede bajar la unidad hasta que alcance la posición predeterminada que usted marcó. Para asegurar la unidad en cualquier lugar a lo largo de la carrera vertical, oprima la palanca.

INSTALACIÓN Y REMOCIÓN DE CUCHILLAS (FIG. 3, 4)

NOTA IMPORTANTE:

Siempre coloque la boquilla (I) con firmeza en la tuerca de la boquilla (G), (pasando el retén del muelle) antes de instalar una cuchilla.

Oprima el botón de seguro de la flecha (H) y utilice la llave suministrada para aflojar (en sentido contrario a las manecillas del reloj) la tuerca de la boquilla, como se muestra.

Inserte el vástago cilíndrico de la cuchilla que desee tanto como sea posible en la boquilla una vez aflojada,

a continuación tire de la cuchilla aproximadamente 1,6 mm (1/16"). Sujete la flecha mientras oprime el seguro al tiempo que aprieta firmemente tuerca de la boquilla con la llave proporcionada, como se observa.

Su rebajadora cuenta con un sistema único que le permite asegurarla para retener la cuchilla. Cuando quite una cuchilla, la tuerca de la boquilla debe aflojarse con la llave. La tuerca de la boquilla girará aproximadamente 3/4 de vuelta y se apretará otra vez. En este punto la cuchilla no puede removerse. Con el mismo procedimiento, afloje la tuerca por segunda vez. Esto levantará la boquilla y hará muy fácil la remoción de la cuchilla.

FIG. 3

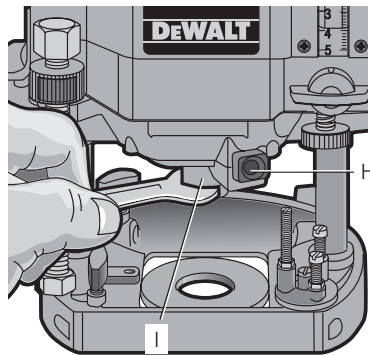
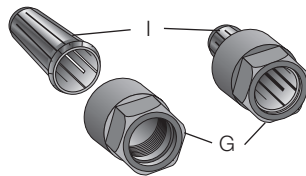


FIG. 4



BOQUILLAS (FIG. 3, 4)

⚠ADVERTENCIA: Peligro de proyectil. Use solamente brocas con vástagos que se correspondan con el collar instalado. Las brocas con vástagos más pequeños no estarán seguras y podrían aflojarse durante el funcionamiento.

⚠ATENCIÓN: Nunca apriete la mordaza sin antes haber instalado una cuchilla en ella. Apretar una mordaza vacía, aún a mano, puede dañarla.

Se incluyen dos mordazas con el motor: una de 6,4 mm (1/4") y otra de 13 mm (1/2").

Para cambiar boquillas, destornille el montaje de la boquilla, como se describió anteriormente, tire con fuerza de la boquilla vieja hacia afuera de la tuerca e inserte la boquilla nueva. Empuje con firmeza para que ajuste después de librar el muelle del retén de la tuerca de la boquilla.

VARILLA DE TOPE DE ALTURA Y ANILLO DE TOPE DE ALTURA (FIG. 1)

La barra de tope de altura (D) y la ruedecilla de ajuste manual (C) limitan la altura hasta la que puede desplazarse la unidad por los rieles. El sistema es ajustable desde lo más bajo, en donde la unidad no puede levantarse sin importar la posición de la palanca de liberación (F) del mecanismo de penetración, hasta la altura máxima, en que la boquilla queda a 73 mm (2-7/8") de distancia de la pieza de trabajo.

Para su comodidad, el anillo de paro de profundidad está equipado con un botón de liberación rápida (F) que le permite desligarse de la cuerda para posicionarlo rápidamente al oprimir el botón que se encuentra a un lado del anillo.

NOTA: es más fácil mover el anillo de paro de profundidad hacia ARRIBA si la palanca de liberación del mecanismo de penetración está asegurada, y viceversa.

SISTEMA DE PARO DE TORRETA DE POSICIONES MÚLTIPLES (FIG. 5-7)

⚠ADVERTENCIA: No cambie la torreta mientras la rebajadora esté en funcionamiento. Esto hará que sus manos estén demasiado cerca del cabezal de corte.

Este sistema (J) limita la distancia de recorrido hacia abajo de la herramienta. Consiste de tres tornillos de diferentes longitudes que permiten definir la profundidad de corte al limitar la carrera de la varilla de control de profundidad (K). La profundidad de corte puede ajustarse al seleccionar el tornillo de la longitud deseada en la torreta. La torreta se puede girar y cuenta con posiciones predeterminadas para alinear correctamente los tornillos.

La interacción de la varilla de control de profundidad y el mecanismo de posiciones múltiples determina la profundidad de rebajado.

FIG. 5

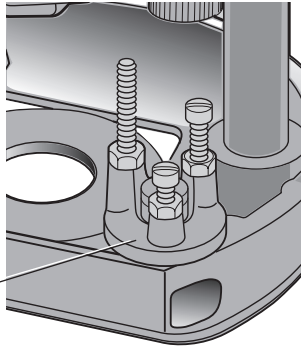
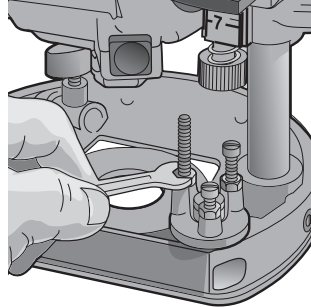


FIG. 6



En el caso de que ninguno de los tornillos se aproxime a la profundidad deseada, cada uno puede ser ajustado aflojando la tuerca hexagonal que se encuentra en la parte inferior, y girando a

continuación el tornillo en cualquier sentido hasta lograr la longitud requerida. Después de ajustar este tornillo, asegúrese de apretar la tuerca hexagonal de la parte inferior (Fig. 6).

Vea las instrucciones necesarias para operar el mecanismo de paro de torreta en la sección **Ajuste de la profundidad de corte.**

BARRA DE TOPE DE PROFUNDIDAD Y ESCALA VERNIER (FIG. 7)

La barra de tope de profundidad (K) es la parte que hace contacto con el tornillo en el mecanismo de posiciones múltiples para limitar la profundidad del corte. En la parte inferior de esta barra se encuentra un vástago con cuerda, un resorte (L) y una perilla moleteada (M).

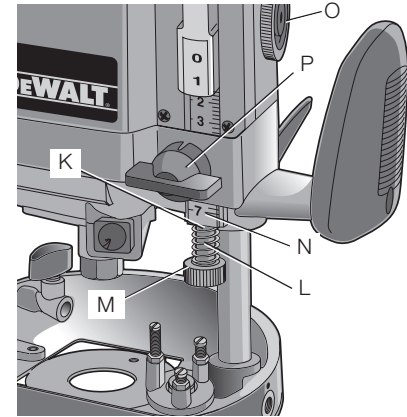
Su unidad también cuenta con una escala Vernier (N) para los ajustes extremadamente preciso en la profundidad de corte.

Véase la sección de **Ajuste de la profundidad de corte. Ajuste de la profundidad de corte**, las instrucciones para usar la barra de tope de profundidad y la escala Vernier en una operación real.

Conozca su herramienta

Por favor, tómese un poco de tiempo, y sin conectar la rebajadora, practique con estos controles y familiarícese con su operación. Solamente con un entendimiento completo de estos sistemas usted será capaz de obtener el máximo de esta herramienta de calidad.

FIG. 7



Ajuste de laprofundidad de corte (Fig. 7)

Siga los pasos mencionados a continuación para fijar la profundidad de corte:

1. Instale la cuchilla deseada como se describió anteriormente.
2. Coloque el anillo de tope de altura en la parte superior de la varilla de tope de altura. Usted puede girar la perilla o accionar el botón de liberación rápida como. Véase la sección de **Ajuste de la profundidad de corte.**
3. Ajuste la barra de tope de profundidad en la parte superior de su carrera girando la perilla de paro de profundidad (O).
4. Gire el mecanismo de torreta hasta que el más corto de los tres tornillos esté directamente por debajo de la barra de tope de profundidad.
5. Levante la palanca del mecanismo de penetración y empuje la rebajadora hacia abajo hasta que la cuchilla toque apenas la superficie de trabajo.
6. Baje la barra de tope de profundidad hasta que la perilla moleteada haga contacto con el tornillo del mecanismo de torreta que acaba de ajustar.
7. Suba o baje el Vernier de plástico para alinear la línea grabada con la marca del 0 en la escala graduada.
8. Con la perilla de control del tope profundidad, suba la barra y haga coincidir la marca deseada en la escala graduada con la línea graduada del Vernier, como se observa. (La escala está graduada en 16avos de pulgada.)
9. Apriete el seguro de la barra de tope de profundidad (P).
10. La rebajadora está lista ahora para cortar a la profundidad preestablecida después de penetrar la pieza de trabajo.

Ajuste fino de la profundidad de corte (Fig. 7)

Si necesita hacer algún pequeño ajuste después de fijar la profundidad de corte, no es necesario volver a realizar todo el procedimiento para hacer el ajuste. Los ajustes menores se

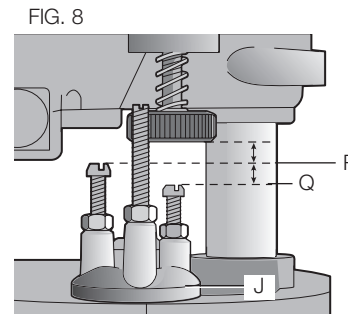
pueden hacer fácilmente girando la perilla moleteada (M) que se encuentra en la parte inferior de la barra de tope de profundidad (K), como se muestra en la Figura 7.

Al girar la perilla en el sentido de las manecillas del reloj (viendo hacia abajo desde la parte superior de la rebajadora) se obtendrá un corte menos profundo. Al girar la perilla en sentido contrario a las manecillas del reloj, se obtendrá un corte más profundo. Un giro completo de la perilla representa aproximadamente 1 mm de ajuste en la profundidad.

Uso del mecanismo de torreta para ajustes secuenciales de la profundidad de corte (Fig. 8)

Se recomienda que los cortes particularmente profundos se realicen en varias pasadas. Para poder lograr esto, y conservar la precisión en la profundidad cuando se ha terminado el trabajo, realice el siguiente procedimiento:

1. Fije la profundidad de corte final. Véase la sección de **Ajuste de la profundidad de corte.** Como ejemplo, asuma que la profundidad deseada es de 13 mm (1/2").
2. Después de ajustar la profundidad a 13 mm (1/2") en el tornillo (Q) más corto, ajuste el segundo tornillo (R) por orden de longitud hasta un punto a medio camino entre la parte inferior de la perilla moleteada y la parte superior del tornillo corto, como se indica.



3. Deje la medición de la escala y gire el segundo tornillo una vez ajustado hasta su posición debajo de la barra de tope.
4. Haga el primer corte en este ajuste.
5. Gire el mecanismo de torreta para que el tornillo más corto quede directamente por debajo de la barra tope de profundidad y realice el corte final.

NOTA: El tercer tornillo en el tope de torreta sirve por si usted desea hacer cortes aún más profundos y necesita hacer tres cortes para alcanzar la profundidad final, o ajustar la profundidad final para cortes múltiples a una pasada.

Operación

⚠ATENCIÓN: Encienda la rebajadora antes de penetrar la pieza de trabajo con el cabezal de corte.

Después de fijar la profundidad de corte, coloque la rebajadora de modo que la cuchilla quede exactamente arriba del sitio en que desea cortar. Una vez que la rebajadora está en funcionamiento, baje la unidad suavemente hasta la pieza de trabajo. (HAGA ESTE MOVIMIENTO SIN ATASCAR LA REBAJADORA.) Cuando la rebajadora alcance la posición de profundidad preestablecida, apriete la palanca de bloqueo del émbolo (E, Fig. 1) y permita que el muelle levante a la unidad directamente hacia afuera de la pieza de trabajo.

Se pueden efectuar todas las tareas de rebajado comunes con gran facilidad con la rebajadora: Acanalar, achaflanar, abocardar, biselar, perfilar, etc., en todos los tipos de maderas y plásticos.

Siempre alimente la rebajadora en sentido opuesto a la dirección del giro de la cuchilla.

Solamente deberán usarse cuchillas con filo de carburo en paneles enchapados con laminados plásticos. Los laminados duros eliminan rápidamente el filo de las cuchillas de acero.

Dirección de alimentación (Fig. 9, 10)

La dirección de alimentación es fundamental en el rebajado y puede hacer la diferencia entre un trabajo exitoso y un proyecto arruinado. Las figuras 9 y 10 muestran la dirección de alimentación apropiada para algunos tipos de corte básicos.

Recorte el borde exterior de una pieza de desperdicio de la siguiente manera: rebaje al final del hilo, de izquierda a derecha, recorte al hilo de izquierda a derecha, rebaje el otro extremo del hilo y corte el otro lado de la parte que corre al hilo.

El sentido de alimentación es muy importante en el manejo de las rebajadoras. Asegúrese que la cuchilla esté girando en contacto con la pieza moviendo de izquierda a derecha en los bordes exteriores y en el sentido de las manecillas del reloj en el caso de cortes interiores.

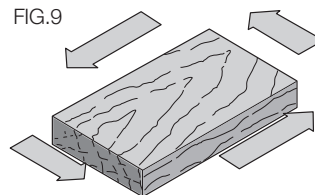
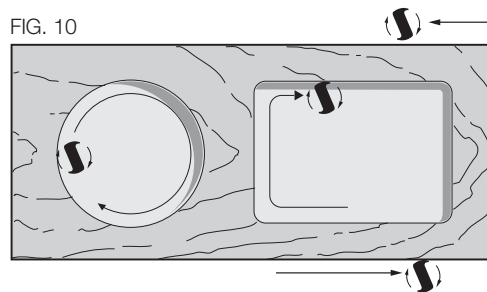


FIG.9

FIG. 10



▲ADVERTENCIA: Evite el fresado concurrente (cortar en dirección opuesta a como se muestra en la Figura 10). El fresado concurrente aumenta la posibilidad de pérdida de control, la cual podría provocar lesiones. Cuando se requiere el fresado concurrente (al invertir la marcha alrededor de una esquina), tenga muchísimo cuidado para mantener el control de la rebajadora. Realice cortes más pequeños y elimine una cantidad mínima de material en cada pasada.

Utilización de la guía de borde (Fig. 11, 12)

La guía de borde DW6913, disponible por un cargo adicional, aumentará la versatilidad de su rebajadora. Ensamble la guía como se muestra en la Figura 12. Cuando esté completamente ensamblada, inserte las dos barras a través de los orificios en la base de la rebajadora como se ilustra. Ajuste como sea necesario para corte paralelo.

FIG. 11

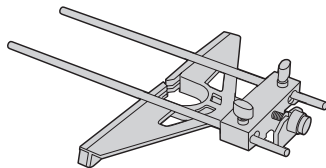
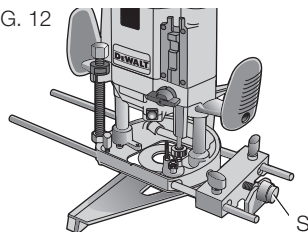


FIG. 12



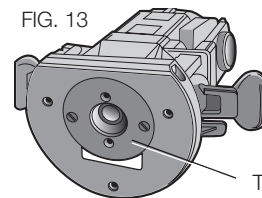
La guía se ajusta a la cuchilla. En algunos casos, los deslizadores de plástico de la guía interferirán con la cuchilla si no se aflojan y se mueven hacia atrás para proporcionar mayor espacio. Simplemente afloje los dos tornillos a cada deslizador y ajuste como se requiera.

La guía de borde incluye una característica de ajuste preciso que funciona girando el botón de ajuste preciso (S). Gire la perilla en el sentido de las manecillas del reloj para acercar la guía (a la cuchilla). Gire la perilla en sentido opuesto a las manecillas del reloj para alejar la guía de la cuchilla.

Adaptador para plantillas (Fig. 13)

Su rebajadora está equipada con un adaptador para plantillas (T) y dos tornillos de montaje. Guarde estos artículos en un lugar seguro.

FIG. 13

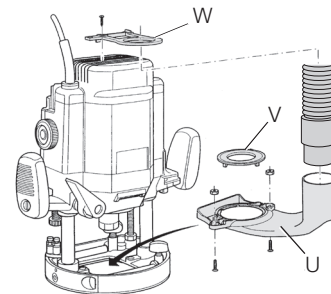


Conexión a un extractor de polvo (Fig. 14)

El adaptador para extractor de polvo consiste en el cuerpo (U), la cubierta (V) y la guía para la manguera (W). Ensamble de la siguiente manera:

1. Deslice la cubierta sobre el cuerpo principal y deje que se ajuste en su sitio.
2. Conecte una manguera para extracción de polvo a la toma.
3. Afloje el tornillo que se encuentra en la cubierta superior de la rebajadora y asegure la guía de la manguera en posición.
4. Cuando utilice la extracción de polvo, asegúrese que la aspiradora esté fuera del camino y que usted no tropezará con ella ni interferirá con la rebajadora o la pieza de trabajo. La manguera de la aspiradora y el cable eléctrico deben colocarse de manera que igual no interfieran. Si la aspiradora o la manguera no se pueden colocar correctamente, deben retirarse.

FIG. 14



MANTENIMIENTO

⚠ADVERTENCIA: Para reducir el riesgo de lesiones personales graves, apague la herramienta y desconéctela de la fuente de alimentación antes de instalar o retirar accesorios, ajustar o cambiar configuraciones o realizar reparaciones. Un arranque accidental podría causar lesiones.

Limpieza

⚠ADVERTENCIA: Sople la suciedad y el polvo de todos los conductos de ventilación con aire seco, al menos una vez por semana. Para reducir el riesgo de lesiones, utilice siempre protección para los ojos aprobada ANSI Z87.1 al realizar esta tarea.

⚠ADVERTENCIA: Nunca utilice solventes ni otros químicos abrasivos para limpiar las piezas no metálicas de la herramienta. Estos productos químicos pueden debilitar los materiales plásticos utilizados en estas piezas. Utilice un paño humedecido sólo con agua y jabón neutro. Nunca permita que penetre líquido dentro de la herramienta ni sumerja ninguna de las piezas en un líquido.

Accesorios

⚠ADVERTENCIA: Debido a que no se han probado con este producto otros accesorios que no sean los que ofrece DEWALT, el uso de dichos accesorios con esta herramienta podría ser peligroso. Para reducir el riesgo de lesiones, con este producto deben usarse sólo los accesorios recomendados por DEWALT.

Los accesorios que se recomiendan para utilizar con la herramienta están disponibles a un costo adicional en su distribuidor local o en un centro de mantenimiento autorizado. Si necesita ayuda para localizar algún accesorio, póngase en contacto con DEWALT Industrial Tool Co., 701 East Joppa Road, Towson, MD 21286, llame al 1-800-4-DEWALT (1-800-433-9258) o visite nuestro sitio Web: www.dewalt.com.

Reparaciones

Para asegurar la SEGURIDAD y la CONFIABILIDAD del producto, las reparaciones, el mantenimiento y los ajustes deben (inclusive inspección y cambio de carbones) ser realizados en un centro de mantenimiento en la fábrica DEWALT, en un centro de mantenimiento autorizado DEWALT u por otro personal de mantenimiento calificado. Utilice siempre piezas de repuesto idénticas.

PARA REPARACIÓN Y SERVICIO DE SUS HERRAMIENTAS ELÉCTRICAS, FAVOR DE DIRIGIRSE AL CENTRO DE SERVICIO MÁS CERCANO

CULIACAN, SIN

Blvd.Emiliano Zapata 5400-1 Poniente
Col. San Rafael (667) 717 89 99

GUADALAJARA, JAL

Av. La Paz #1779 - Col. Americana Sector Juárez (33) 3825 6978

MEXICO, D.F.

Eje Central Lázaro Cárdenas No. 18
Local D, Col. Obrera (55) 5588 9377

MERIDA, YUC

Calle 63 #459-A - Col. Centro (999) 928 5038

MONTERREY, N.L.

Av. Francisco I. Madero 831 Poniente -
Col. Centro (818) 375 23 13

PUEBLA, PUE

17 Norte #205 - Col. Centro (222) 246 3714

QUERETARO, QRO

Av. San Roque 274 - Col. San Gregorio (442) 2 17 63 14

SAN LUIS POTOSI, SLP

Av. Universidad 1525 - Col. San Luis (444) 814 2383

TORREON, COAH

Blvd. Independencia, 96 Pte. - Col. Centro (871) 716 5265

VERACRUZ, VER

Prolongación Díaz Mirón #4280 - Col. Remes (229) 921 7016

VILLAHERMOSA, TAB

Constitución 516-A - Col. Centro (993) 312 5111

PARA OTRAS LOCALIDADES:**Si se encuentra en México,
por favor llame al (55) 5326 7100****Si se encuentra en U.S., por favor llame al
1-800-433-9258 (1-800 4-DEWALT)****Póliza de Garantía**

IDENTIFICACIÓN DEL PRODUCTO:

Sello o firma del Distribuidor.

Nombre del producto: _____

Mod./Cat.: _____ Marca: _____

Núm. de serie: _____

(Datos para ser llenados por el distribuidor)

Fecha de compra y/o entrega del producto: _____

Nombre y domicilio del distribuidor donde se adquirió el producto:

Este producto está garantizado por un año a partir de la fecha de entrega, contra cualquier defecto en su funcionamiento, así como en materiales y mano de obra empleados para su fabricación. Nuestra garantía incluye la reparación o reposición del producto y/o componentes sin cargo alguno para el cliente, incluyendo mano de obra, así como los gastos de transportación razonablemente erogados derivados del cumplimiento de este certificado.

Para hacer efectiva esta garantía deberá presentar su herramienta y esta póliza sellada por el establecimiento comercial donde se adquirió el producto, de no contar con ésta, bastará la factura de compra.

EXCEPCIONES

Esta garantía no será válida en los siguientes casos:

- Cuando el producto se hubiese utilizado en condiciones distintas a las normales;
- Cuando el producto no hubiese sido operado de acuerdo con el instructivo de uso que se acompaña;
- Cuando el producto hubiese sido alterado o reparado por personas distintas a las enlistadas al final de este certificado.

Anexo encontrará una relación de sucursales de servicio de fábrica, centros de servicio autorizados y franquiciados en la República Mexicana, donde podrá hacer efectiva su garantía y adquirir partes, refacciones y accesorios originales.

Registro en línea

Gracias por su compra. Registre su producto ahora para:

- **SERVICIO EN GARANTÍA:** Si completa esta tarjeta, podrá obtener un servicio en garantía más eficiente, en caso de que exista un problema con su producto.
- **CONFIRMACIÓN DE PROPIEDAD:** En caso de una pérdida que cubra el seguro, como un incendio, una inundación o un robo, el registro de propiedad servirá como comprobante de compra.
- **PARA SU SEGURIDAD:** Si registra el producto, podremos comunicarnos con usted en el caso improbable que se deba enviar una notificación de seguridad conforme a la Federal Consumer Safety Act (Ley Federal de Seguridad de Productos para el Consumidor).

Registro en línea en www.dewalt.com/register.**Garantía limitada por tres años**

DEWALT reparará, sin cargo, cualquier falla que surja de defectos en el material o la fabricación del producto, por hasta tres años a contar de la fecha de compra. Esta garantía no cubre fallas de las piezas causadas por su desgaste normal o abuso a la herramienta.

Para mayores detalles sobre la cobertura de la garantía e información acerca de reparaciones realizadas bajo garantía, visítenos en www.dewalt.com o diríjase al centro de servicio más cercano. Esta garantía no aplica a accesorios o a daños causados por reparaciones realizadas o intentadas por terceros. Esta garantía le otorga derechos legales específicos, además de los cuales puede tener otros dependiendo del estado o la provincia en que se encuentre.

Además de la garantía, las herramientas DEWALT están cubiertas por:

1 AÑO DE SERVICIO GRATUITO

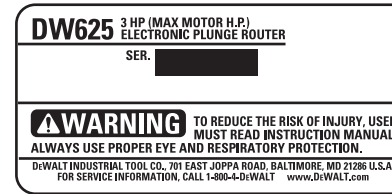
DEWALT mantendrá la herramienta y reemplazará las piezas gastadas por su uso normal, sin cobro, en cualquier momento durante un año a contar de la fecha de compra. Los artículos gastados por la clavadora, tales como la unidad de hoja y retorno del impulsador, no están cubiertas.

GARANTÍA DE REEMBOLSO DE SU DINERO POR 90 DÍAS

Si no está completamente satisfecho con el desempeño de su máquina herramienta, láser o clavadora DEWALT, cualquiera sea el motivo, podrá devolverlo hasta 90 días de la fecha de compra con su recibo y obtener el reembolso completo de su dinero – sin necesidad de responder a ninguna pregunta.

AMÉRICA LATINA: Esta garantía no se aplica a los productos que se venden en América Latina. Para los productos que se venden en América Latina, debe consultar la información de la garantía específica del país que viene en el empaque, llamar a la compañía local o visitar el sitio Web a fin de obtener esa información.

REEMPLAZO GRATUITO DE LAS ETIQUETAS DE ADVERTENCIAS: Si sus etiquetas de advertencia se vuelven ilegibles o faltan, llame al 1-800-4-DEWALT (1-800-433-9258) para que se le reemplacen gratuitamente.



Para servicio y ventas consulte
"HERRAMIENTAS ELECTRICAS"
en la sección amarilla.



SOLAMENTE PARA PROPÓSITO DE MÉXICO:
IMPORTADO POR: DEWALT INDUSTRIAL TOOL CO. S.A. DE C.V.
AVENIDA ANTONIO DOVALI JAIME, # 70 TORRE B PISO 9
COLONIA LA FE, SANTA FÉ
CÓDIGO POSTAL : 01210
DELEGACIÓN ALVARO OBREGÓN
MÉXICO D.F.
TEL. (52) 555-326-7100
R.F.C.: BDEB10626-1W7

Español





DEWALT Industrial Tool Co., 701 East Joppa Road, Towson, MD 21286

(MAY15) Part No. N428614 DW625 Copyright © 1999, 2002, 2004, 2007, 2014, 2015 DEWALT

The following are trademarks for one or more DEWALT power tools: the yellow and black color scheme; the “D” shaped air intake grill; the array of pyramids on the handgrip; the kit box configuration; and the array of lozenge-shaped humps on the surface of the tool.