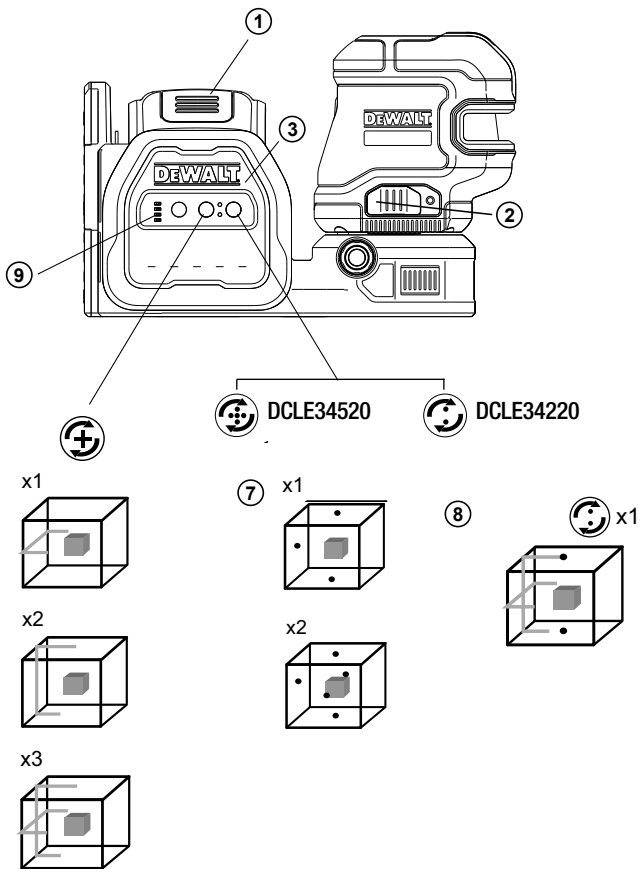
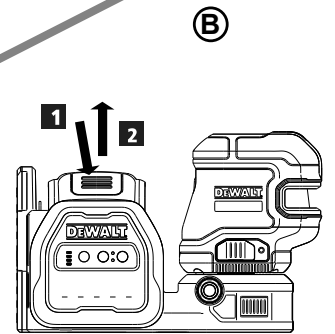
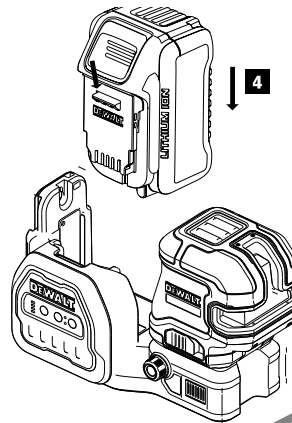
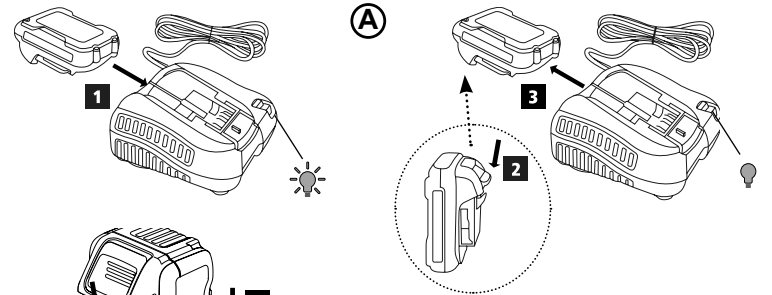
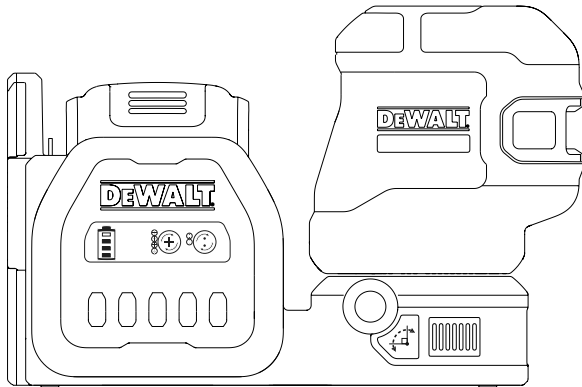
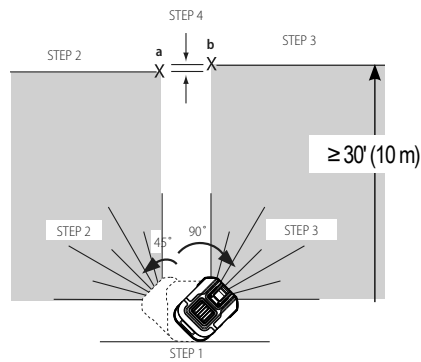


# DEWALT

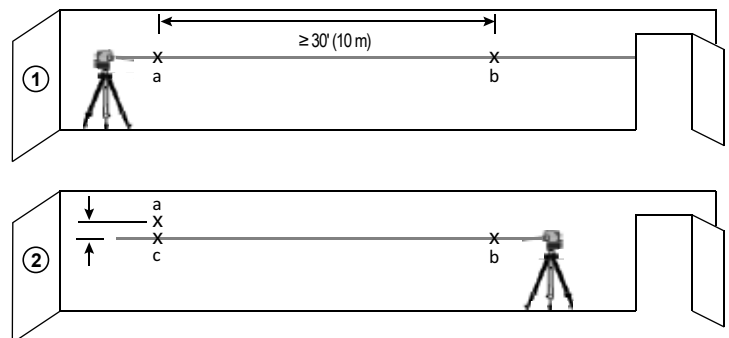
DCE822G18 2-Dot Cross Line Laser  
DCE825G18 5-Dot Cross Line Laser



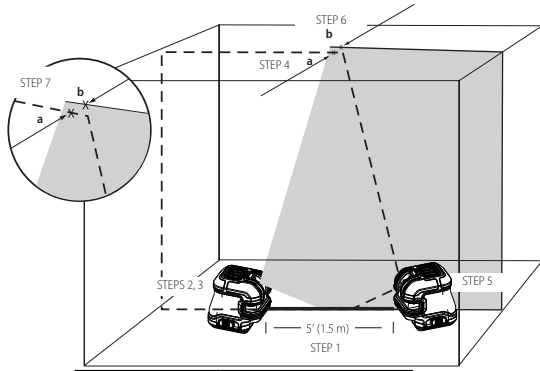
DCLE34520 DCLE34220



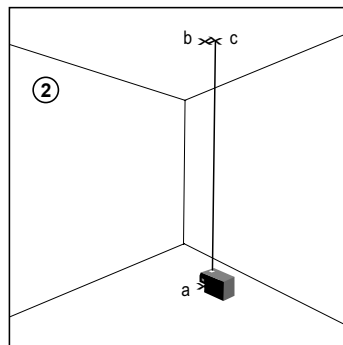
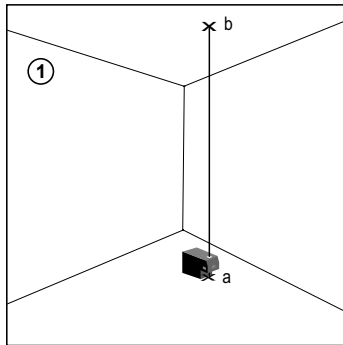
Distance Between Walls	Allowable Distance Between Ⓐ and Ⓑ
10.0 m	3.0 mm
12.0 m	3.6 mm
15.0 m	4.5 mm



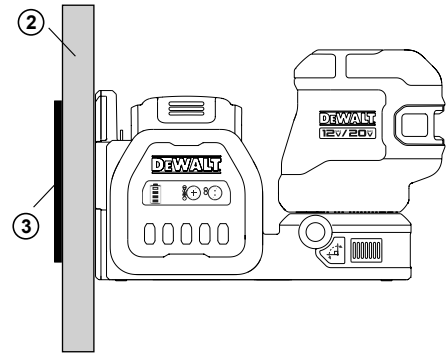
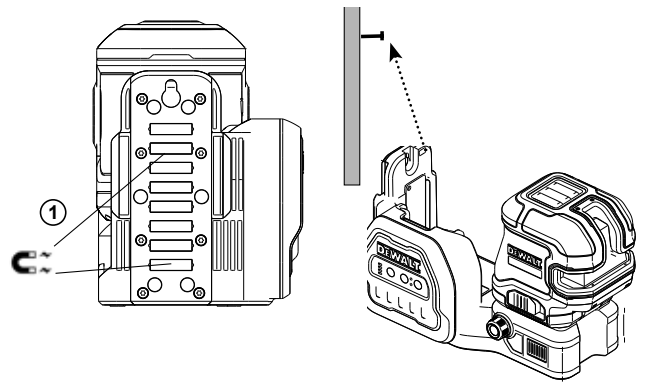
Distance Between Walls	Allowable Distance Between Ⓐ and Ⓒ
10.0 m	6.0 mm
12.0 m	7.2 mm
15.0 m	9.0 mm



Distance Between Walls	Allowable Distance Between (a) and (b)
2.5 m	1.7 mm
3.0 m	2.1 mm
4.0 m	2.8 mm
6.0 m	4.1 mm



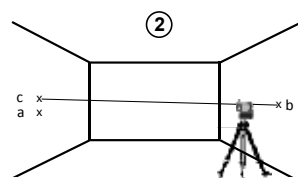
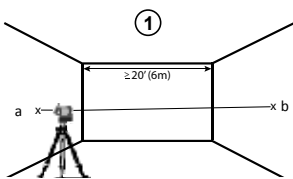
Distance Between Ceiling & Floor	Allowable Distance Between (b) & (c)
2.5 m	1.7 mm
3.0 m	2.1 mm
4.0 m	2.8 mm
6.0 m	4.1 mm



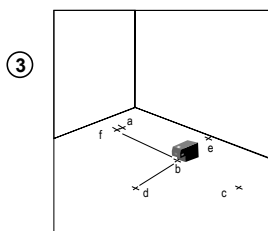
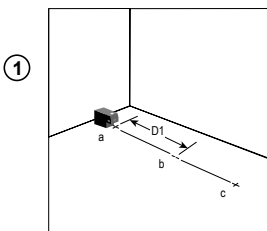
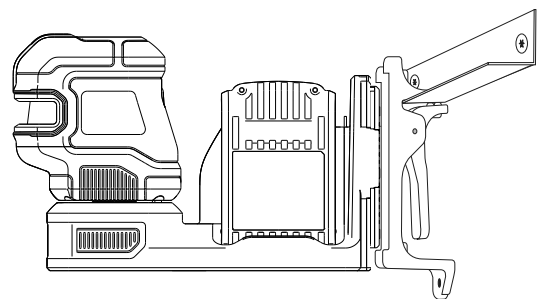
© 2020 DEWALT Industrial Tool Co.  
 DEWALT EU, Black- & Decker-Strasse 40, D-65510 Idstein, Germany  
 DEWALT UK, 270 Bath Rd, Slough SL1 4DX, England  
 www.2helpu.com

12/20

N856421



Distance Between Walls	Allowable Distance Between (a) & (c)
6.0 m	4.1 mm
9.0 m	6.2 mm
15.0 m	10.2 mm



Distance (D1)	Allowable Distance Between (a) & (f) or (a) & (g)
6.0 m	5.3 mm
9.0 m	7.9 mm
15.0 m	13.1 mm

