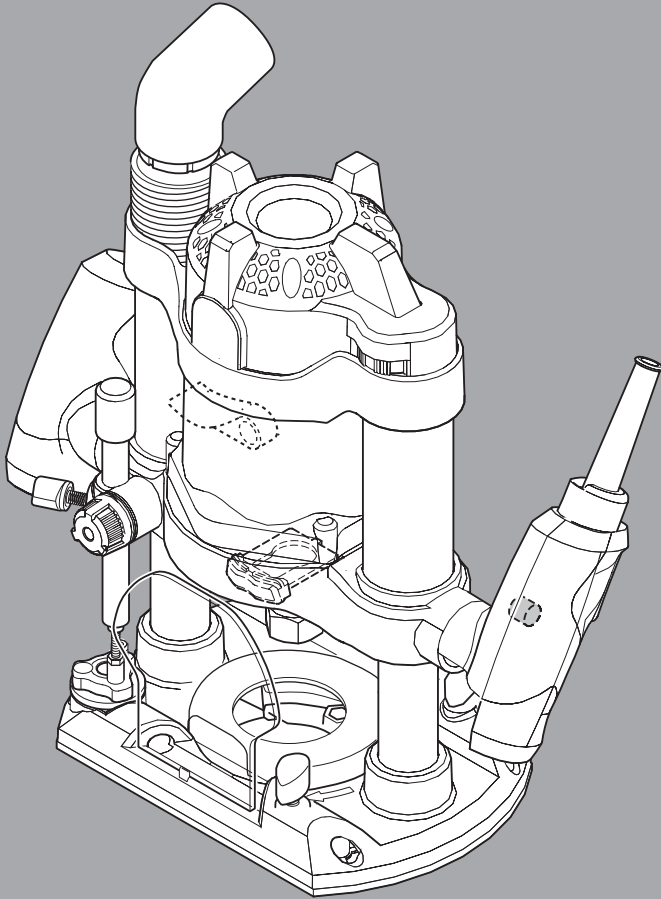
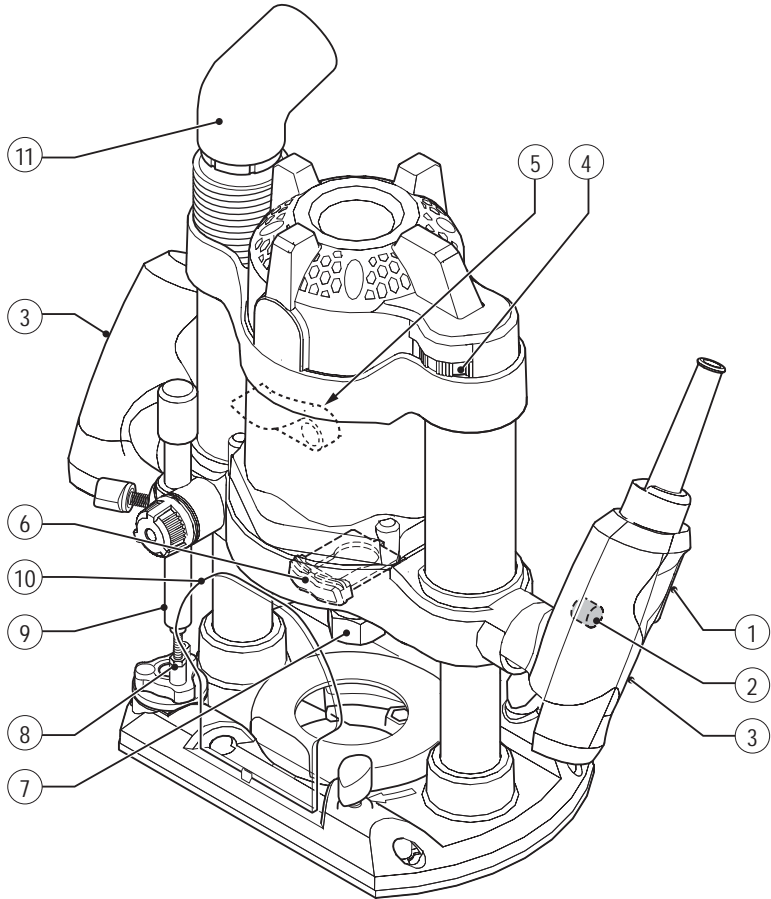
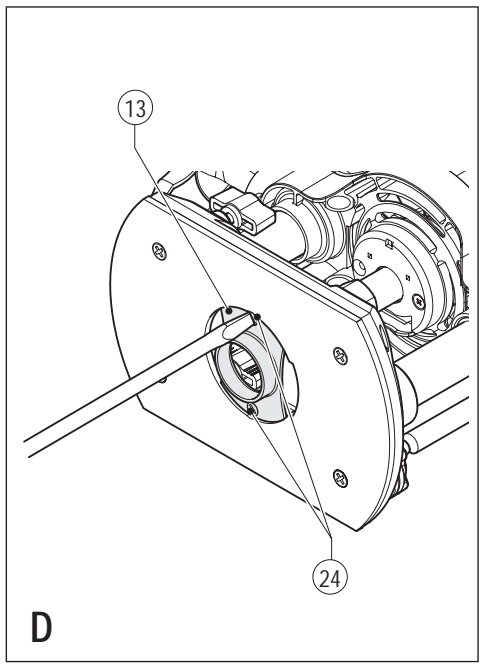
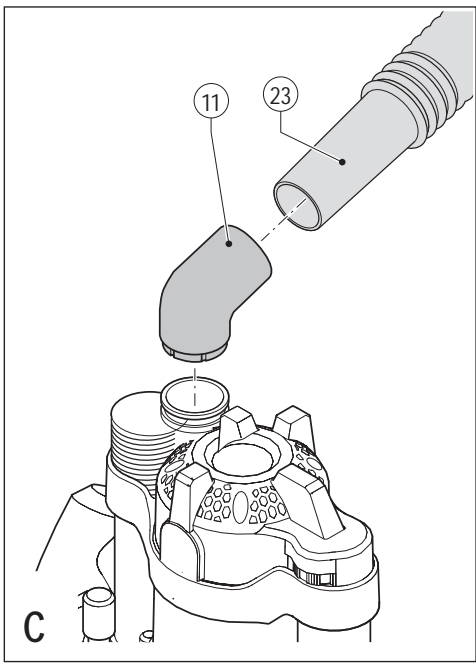
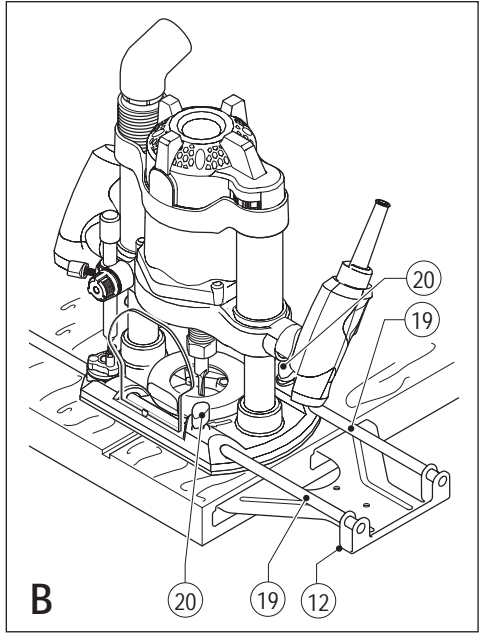
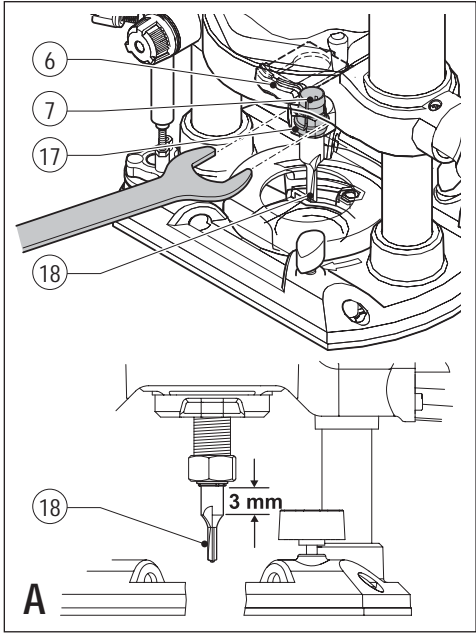


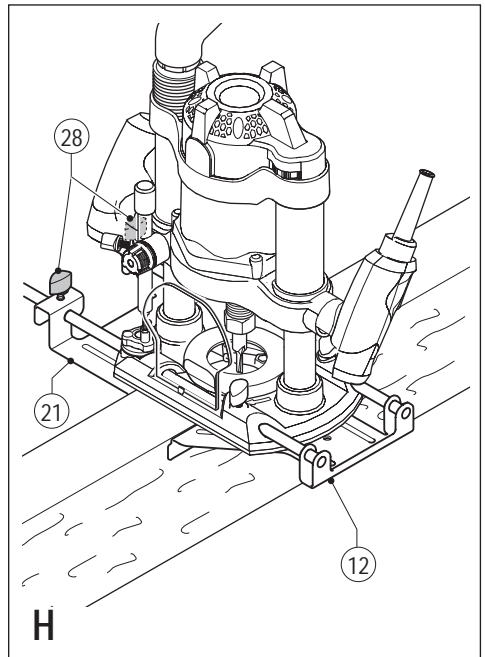
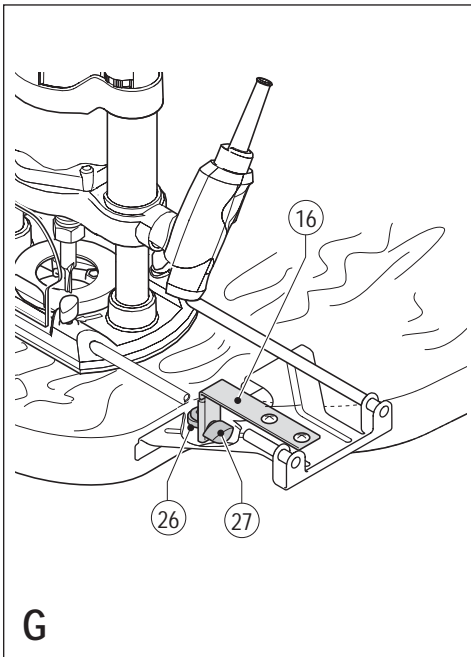
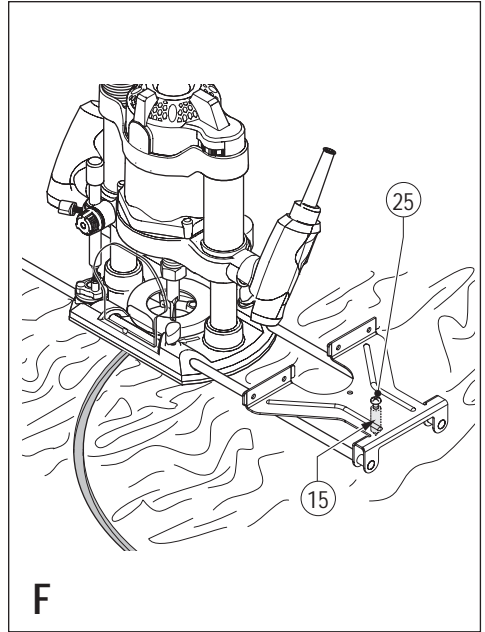
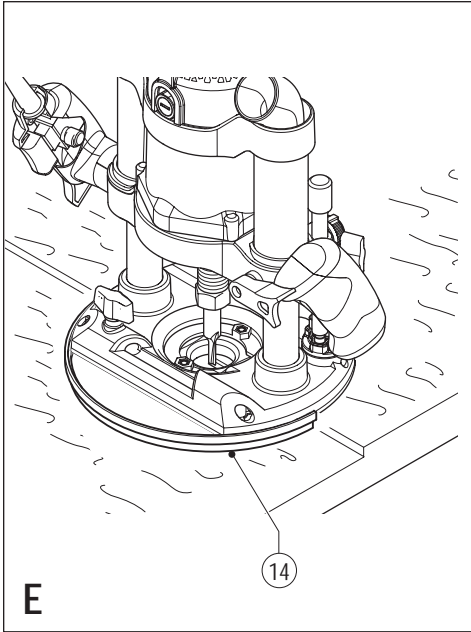


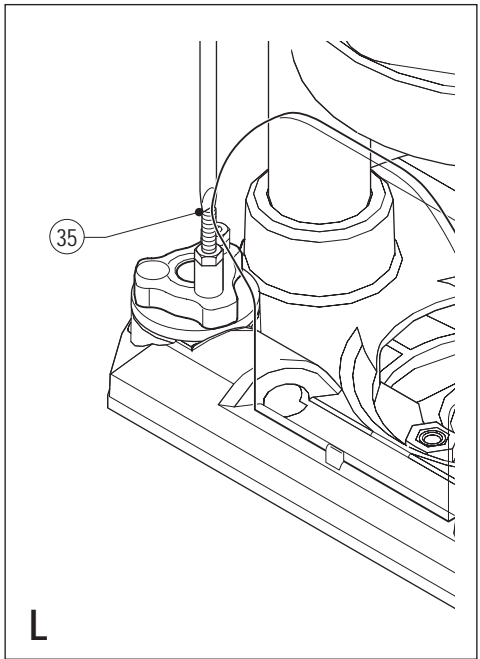
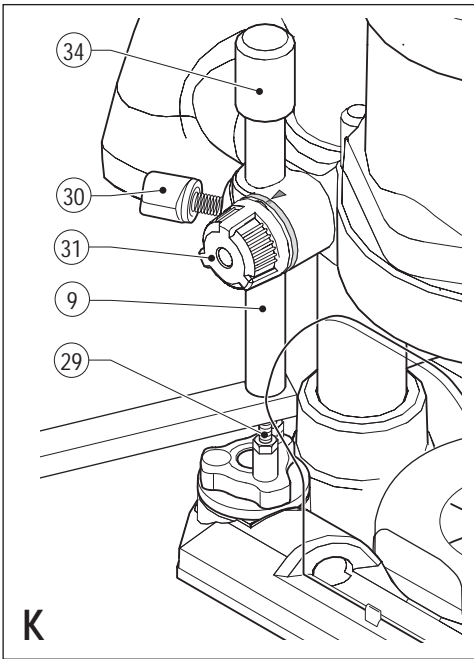
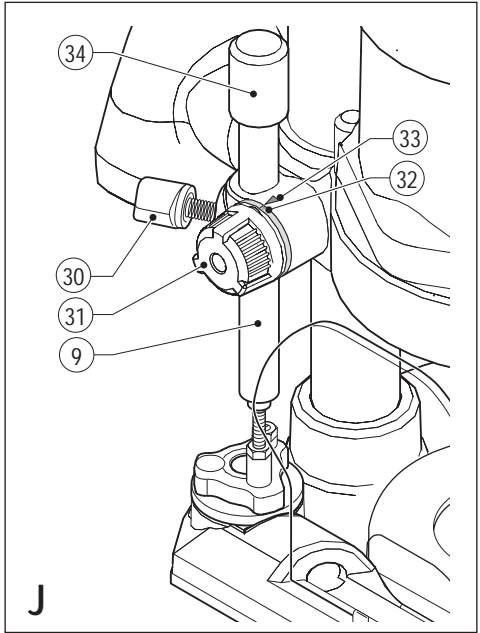
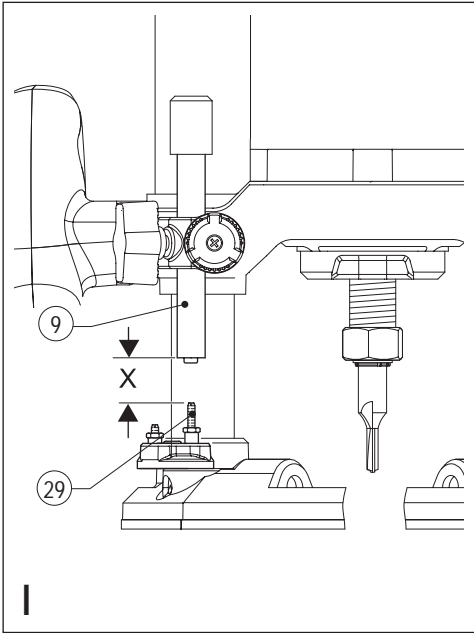
BLACK & DECKER®

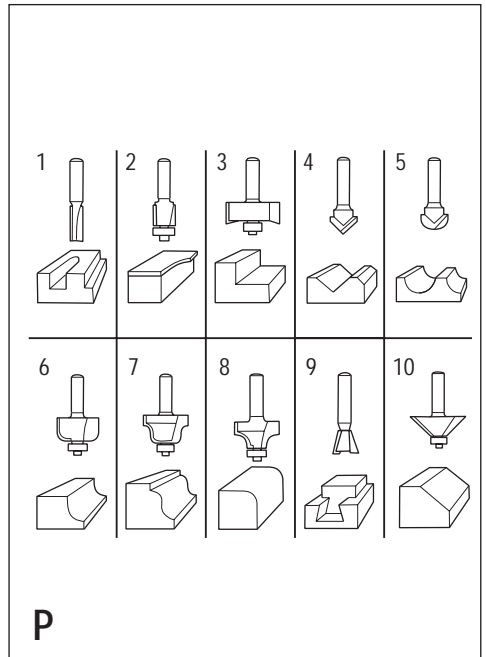
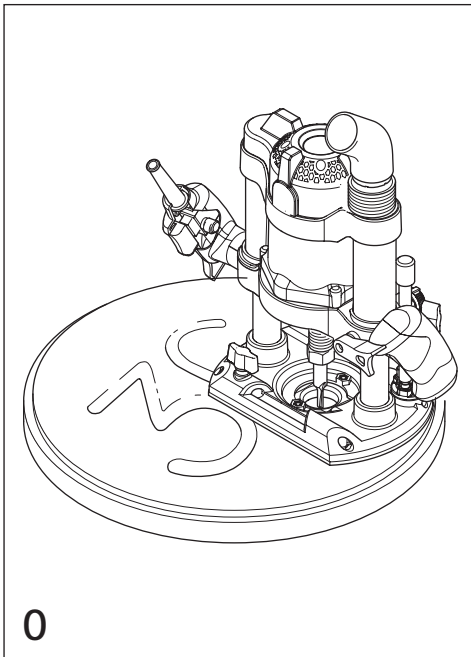
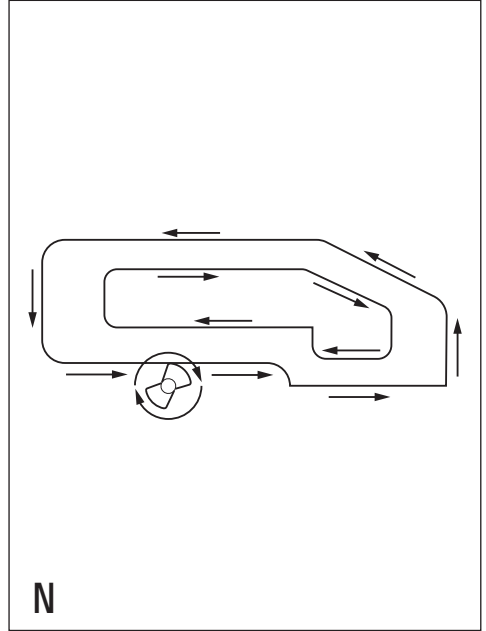
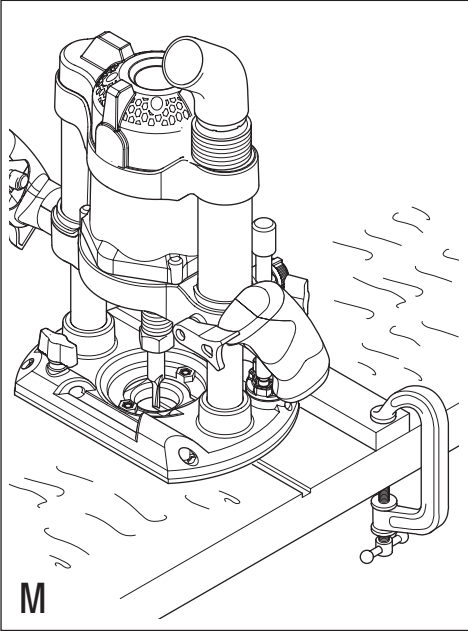












Intended use

Your Black & Decker router has been designed for routing wood and wood products. This tool is intended for consumer use only.

Safety instructions

General power tool safety warnings



Warning! Read all safety warnings and all instructions. Failure to follow the warnings and instructions listed below may result in electric shock, fire and/or serious injury.

Save all warnings and instructions for future reference.

The term "power tool" in all of the warnings listed below refers to your mains operated (corded) power tool or battery operated (cordless) power tool.

1. Work area safety

- a. Keep work area clean and well lit. Cluttered or dark areas invite accidents.
- b. Do not operate power tools in explosive atmospheres, such as in the presence of flammable liquids, gases or dust. Power tools create sparks which may ignite the dust or fumes.
- c. Keep children and bystanders away while operating a power tool. Distractions can cause you to lose control.

2. Electrical safety

- a. Power tool plugs must match the outlet. Never modify the plug in any way. Do not use any adapter plugs with earthed (grounded) power tools. Unmodified plugs and matching outlets will reduce risk of electric shock.

- b. Avoid body contact with earthed or grounded surfaces such as pipes, radiators, ranges and refrigerators. There is an increased risk of electric shock if your body is earthed or grounded.
- c. Do not expose power tools to rain or wet conditions. Water entering a power tool will increase the risk of electric shock.
- d. Do not abuse the cord. Never use the cord for carrying, pulling or unplugging the power tool. Keep cord away from heat, oil, sharp edges or moving parts. Damaged or entangled cords increase the risk of electric shock.
- e. When operating a power tool outdoors, use an extension cord suitable for outdoor use. Use of a cord suitable for outdoor use reduces the risk of electric shock.
- f. If operating a power tool in a damp location is unavoidable, use a residual current device (RCD) protected supply. Use of an RCD reduces the risk of electric shock.

3. Personal safety

- a. Stay alert, watch what you are doing and use common sense when operating a power tool. Do not use a power tool while you are tired or under the influence of drugs, alcohol or medication. A moment of inattention while operating power tools may result in serious personal injury.
- b. Use personal protective equipment. Always wear eye protection. Protective equipment such as dust mask, non-skid safety shoes, hard hat, or hearing protection used for appropriate conditions will reduce personal injuries.

- c. Prevent unintentional starting. Ensure the switch is in the off-position before connecting to power source and/or battery pack, picking up or carrying the tool. Carrying power tools with your finger on the switch or energising power tools that have the switch on invites accidents.
- d. Remove any adjusting key or wrench before turning the power tool on. A wrench or a key left attached to a rotating part of the power tool may result in personal injury.
- e. Do not overreach. Keep proper footing and balance at all times. This enables better control of the power tool in unexpected situations.
- f. Dress properly. Do not wear loose clothing or jewellery. Keep your hair, clothing and gloves away from moving parts. Loose clothes, jewellery or long hair can be caught in moving parts.
- g. If devices are provided for the connection of dust extraction and collection facilities, ensure these are connected and properly used. Use of dust collection can reduce dust-related hazards.

4. Power tool use and care

- a. Do not force the power tool. Use the correct power tool for your application. The correct power tool will do the job better and safer at the rate for which it was designed.
- b. Do not use the power tool if the switch does not turn it on and off. Any power tool that cannot be controlled with the switch is dangerous and must be repaired.

- c. Disconnect the plug from the power source and/or the battery pack from the power tool before making any adjustments, changing accessories, or storing power tools. Such preventive safety measures reduce the risk of starting the power tool accidentally.
- d. Store idle power tools out of the reach of children and do not allow persons unfamiliar with the power tool or these instructions to operate the power tool. Power tools are dangerous in the hands of untrained users.
- e. Maintain power tools. Check for misalignment or binding of moving parts, breakage of parts and any other condition that may affect the power tools operation. If damaged, have the power tool repaired before use. Many accidents are caused by poorly maintained power tools.
- f. Keep cutting tools sharp and clean. Properly maintained cutting tools with sharp cutting edges are less likely to bind and are easier to control.
- g. Use the power tool, accessories and tool bits etc. in accordance with these instructions, taking into account the working conditions and the work to be performed. Use of the power tool for operations different from those intended could result in a hazardous situation.

5. Service

- a. Have your power tool serviced by a qualified repair person using only identical replacement parts. This will ensure that the safety of the power tool is maintained.

Additional power tool safety warnings



Warning! Additional safety warnings for routers

- Hold the power tool by the insulated gripping surfaces, because the cutter may contact its own cord. Cutting a "live" wire may make exposed metal parts of the power tool "live" and shock the operator.
- Use clamps or another practical way to secure and support the workpiece to a stable platform. Holding the work by hand or against your body leaves it unstable and may lead to loss of control.
- Take special care when routing where the paint is possibly lead based or when routing some woods which may produce toxic dust:
 - Do not let children or pregnant women enter the work area.
 - Do not eat, drink or smoke in the work area.
 - Dispose of dust particles and any other debris safely.

Warning! Contact with, or inhalation of dusts arising from routing applications may endanger the health of the operator and possible bystanders. Wear a dust mask specifically designed for protection against dust and fumes and ensure that persons within or entering the work area are also protected.

- Thoroughly remove all dust after routing.
- Only use router bits with a shank diameter equal to the size of the collet installed in the tool.
- Only use router bits suitable for the no-load speed of the tool.
- Never use router bits with a diameter exceeding the maximum diameter specified in the technical data section.
- Do not use the tool in an inverted position.
- Do not attempt to use the tool in a stationary mode.
- If the supply cord is damaged, it must be replaced by the manufacturer or an authorised Black & Decker Service Centre in order to avoid hazard.

- The intended use is described in this instruction manual. The use of any accessory or attachment or performance of any operation with this tool other than those recommended in this instruction manual may present a risk of personal injury and/or damage to property.

Safety of others

- This appliance/tool is not intended for use by persons (including children) with reduced physical, sensory or mental capabilities, or lack of experience and knowledge, unless they have been given supervision or instruction concerning use of the appliance by a person responsible for their safety.
- Children should be supervised to ensure that they do not play with the appliance.

Residual risks

Additional residual risks may arise when using the tool which may not be included in the enclosed safety warnings. These risks can arise from misuse, prolonged use etc.

Even with the application of the relevant safety regulations and the implementation of safety devices, certain residual risks can not be avoided. These include:

- Injuries caused by touching any rotating/moving parts.
- Injuries caused when changing any parts, blades or accessories.
- Injuries caused by prolonged use of a tool. When using any tool for prolonged periods ensure you take regular breaks.
- Impairment of hearing.
- Health hazards caused by breathing dust developed when using your tool (example:- working with wood, especially oak, beech and MDF.)

Vibration

The declared vibration emission values stated in the technical data and the declaration of conformity have been measured in accordance with a standard test method provided by EN60745 and may be used for comparing one tool with another. The declared vibration emission value may also be used in a preliminary assessment of exposure.

Warning! The vibration emission value during actual use of the power tool can differ from the declared value depending on the ways in which the tool is used. The vibration level may increase above the level stated.

When assessing vibration exposure to determine safety measures required by 2002/44/EC to protect persons regularly using power tools in employment, an estimation of vibration exposure should consider, the actual conditions of use and the way the tool is used, including taking account of all parts of the operating cycle such as the times when the tool is switched off and when it is running idle in addition to the trigger time.

Labels on tool

The following pictograms are shown on the tool:



Warning! To reduce the risk of injury, the user must read the instruction manual.

Electrical safety



This tool is double insulated; therefore no earth wire is required. Always check that the power supply corresponds to the voltage on the rating plate.

- If the supply cord is damaged, it must be replaced by the manufacturer or an authorised Black & Decker Service Centre in order to avoid a hazard.

Features

1. On/off switch
2. Lock-off button
3. Handle
4. Variable speed control knob
5. Plunge lock lever
6. Spindle lock button
7. Collet
8. Revolver depth stop
9. Depth stop bar
10. Chip deflector
11. Dust extraction adaptor

Assembly

Warning! Before assembly, make sure that the tool is switched off and unplugged.

Fitting a router bit (fig. A)

- Remove the chip deflector (10) by pulling it straight up from the router base.

Warning! Beware not to bend the chip deflector.

- Keep the spindle lock button (6) depressed and rotate the spindle until the spindle lock fully engages.
- Loosen the collet nut (17) using the spanner provided.
- Insert the shank of the router bit (18) into the collet (7). Make sure that the shank protrudes at least 3 mm from the collet as shown.
- Keep the spindle lock button (6) depressed and tighten the collet nut (17) using the spanner provided.

Fitting the edge guide (fig. B)

The edge guide (12) helps to guide the tool parallel to an edge.

- Insert the bars (19) into the router base as shown.
- Set the edge guide to the required distance.
- Tighten the fixing screws (20).

Fitting the dust extraction adaptor (fig. C)

The dust extraction adaptor allows you to connect a vacuum cleaner to the tool.

- Place the dust extraction adaptor (11) onto the dust extraction outlet as shown.
- Connect the hose (23) of the vacuum cleaner to the adaptor (11).

Fitting the template guide (fig. D)

- Fit the template guide (13) to the base of the router, with the flange to the bottom (workpiece) side.
- Insert the two long screws (24) from the bottom side through the template guide and the holes in the base.
- Place a nut onto each of the screws and securely tighten the nuts.

Fitting the distance piece (fig. E)

- Fit the distance piece (14) to the base of the router using the screws provided.

Fitting the centring pin (fig. F)

- Fit the edge guide to the router as shown in fig. B, but upside down.
- Fit the centring pin (15) to the workpiece side of the edge guide with the screw (25) provided.

Fitting the copy follower (fig. G)

- Fit the edge guide to the router as shown in fig. B.
- Fit the 'L' bar (16) to the upper side of the edge guide using the two screws and nuts provided.
- Adjust the rotating attachment (26) on the 'L' bar with the wing knob (27).

Fitting the additional edge guide (fig. H)

The additional guide (21) is designed to allow routing of a thin piece of wood (e.g. the edge of a door).

- Adjust the edge guide (12) as necessary.

- Loosen the fixing screws (28).
- Fit the edge guide (21) to the bars (19) protruding from the router base.
- Adjust the edge guide so the workpiece becomes clamped between the two edge guide.
- Tighten the fixing screws (28).

Use

Warning! Let the tool work at its own pace. Do not overload.

- Carefully guide the cable in order to avoid accidentally cutting it.

Adjusting the depth of cut (fig. I, J & K)

The depth of cut is the distance X between the depth stop bar (9) and the depth stop (29). The depth of cut can be set in two different ways as described below.

Adjusting the depth of cut using the scale (fig. J)

- Fit the router bit as described above.
- Loosen the locking screw (30).
- Pull the plunge lock lever (5) up.
- Plunge the router down until the router bit touches the workpiece.
- Push the plunge lock lever (5) down.
- Move the depth stop bar (9) down against the depth stop using the depth stop adjuster (31). Reset the scale by aligning the zero marking (32) with the arrow (33).
- Move the depth stop bar (9) to the calculated position using the depth stop adjuster (31). One quarter turn corresponds to approx. 6.25 mm.

- Tighten the locking screw (30).
- Fine adjust using the adjusting knob (34). One full turn corresponds to approx. 1 mm.
- Pull the plunge lock lever (5) up and return the router to its original position.
- After switching the router on, plunge it down and make the desired cut.

Adjusting the depth of cut using a piece of wood (fig. K)

- Fit the router bit and plunge the router down as described above.
- Loosen the locking screw (30).
- Move the depth stop bar (9) up using the depth stop adjuster (31).
- Place a piece of wood with a thickness equal to the desired depth of cut between the depth stop (29) and the depth stop bar (9).
- Move the depth stop bar (9) down against the wood using the depth stop adjuster (31).
- Tighten the locking screw (30).
- Fine adjust using the adjusting knob (34).
- Remove the piece of wood.
- Pull the plunge lock lever (5) up and return the router to its original position.
- After switching the router on, plunge it down and make the desired cut.

Adjusting the revolver depth stop (fig. L)

After turning the revolver depth stop to the desired setting, you can fine-adjust the depth stop to be used. If you want to make several cuts with a different depth of cut, adjust each of the depth stops.

- Turn the depth stop screw (35) up or down as required using a screwdriver.

Setting the speed

- Set the speed control knob (4) to the required speed. Use a high speed for small diameter router bits. Use a low speed for large diameter router bits.

Using a batten as a guide (fig. M)

When it is not possible to use the edge guide, for example when routing grooves in the back panel of a bookcase to support shelves, proceed as follows:

- Select a piece of wood with a straight edge to use as a batten.
- Place the batten onto the workpiece.
- Move the batten until it is in the correct position to guide the tool.
- Securely clamp the batten to the workpiece.

Using the template guide (fig. D)

The template guide can be used to make a cutout shape from a template, for instance a letter.

- Secure the template over the workpiece with double-sided tape or 'G' clamps.
- The router bit must extend below the flange of the template guide, to cut the workpiece in the shape of the template.

Using the distance piece (fig. E)

The distance piece can be used for trimming wooden or laminate vertical projections.

Using the centring pin (fig. F)

The centring pin can be used to cut out circular patterns.

- Drill a hole for the point of the centring pin in the centre of the circle to be cut.
- Place the router on the workpiece with the point of the centring pin in the drilled hole.
- Adjust the radius of the circle with the bars of the edge guide.
- The router can now be moved over the workpiece to cut out the circle.

Using the copy follower (fig. G)

The copy follower helps to maintain an equal cutting distance along the edge of irregularly shaped workpieces.

- Place the router on the workpiece at the desired distance from the edge to be copied.
- Adjust the bars of the edge guide until the wheel is in contact with the workpiece.

Switching on and off

Switching on

- Keep the lock-off button (2) depressed and press the on/off switch (1).
- Release the lock-off button.

Switching off

- Release the on/off switch.

Warning! Always operate the tool with both hands.

Routing

- Fit the router bit and adjust to the required depth of cut as described above.
- Holding the tool firmly with both hands by the handles (3), place the tool on the workpiece and switch on.

- Allow the tool to build up speed before plunging down into the workpiece. When the depth stop bar has been contacted, operate the plunge lock lever (5).
- Carry out the operation by applying a constant force both downwards and in the direction of cut. Retain a firm grip on the handles and be prepared for a possible reaction force if the router bit suddenly stalls e.g. following contact with a knot.
- On completion of the operation, release the plunge lock lever and control the upwards movement of the tool back to its original position. When the tool has returned to its original position, it can be switched off. Be aware that the base is springloaded and that the tool will jump upwards if not controlled.

Routing speed

The operating speed of the tool can be varied to affect the level of finish. The correct speed selection will depend upon the level of finish required, the type of material being machined, the diameter and shape of the router bit.

- Prepare the tool to make a practice cut on a piece of scrap material. Make a preliminary adjustment of the speed control selecting a high speed for small diameter router bits and a low speed for large diameter router bits.
- When the routing operation is completed, withdraw the tool from the workpiece, switch off the tool and inspect the level of finish. Adjust the speed control knob (4) and repeat until an optimum level of finish is obtained.

Warning! Do not release the handles to adjust the speed when the tool is locked down and operating in the workpiece.

Hints for optimum use

- When working on outside edges, move the tool counterclockwise (fig. N). When working on inside edges, move the tool clockwise.
- Use HSS router bits for softwood.
- Use TCT router bits for hardwood.
- You can use the tool without a guide (fig. O). This is useful for signwriting and creative work. Only make shallow cuts.
- Refer to the table below for common types of router bits.

KW1600EA - Router bits (fig. P)

Description	Application
Straight bit (1)	Grooves and rebates
Trimming bit (2)	Trimming laminates or hardwood; accurate profiling using a template
Rebating bit (3)	Rebates on straight or curved workpieces
V-grooving bit (4)	Grooves, engraving and edge bevelling
Core box bit (5)	Fluting, engraving and decorative edge moulding
Cove bit (6)	Decorative edge moulding
Ogee moulding bit (7)	Decorative edge moulding
Rounding over bit (8)	Rounding over edges
Dovetail bit (9)	Dovetail joints
Chamfer bit (10)	Chamfer edges

Maintenance

Your tool has been designed to operate over a long period of time with a minimum of maintenance. Continuous satisfactory operation depends upon proper tool care and regular cleaning.

Warning! Before performing any maintenance, switch off and unplug the tool.

- Regularly clean the ventilation slots in your tool using a soft brush or dry cloth.
- Regularly clean the motor housing using a damp cloth. Do not use any abrasive or solvent-based cleaner.

Mains Plug Replacement

If a new mains plug needs to be fitted:

- Safely dispose of the old plug.
- Connect the brown lead to the live terminal of the new plug.
- Connect the blue lead to the neutral terminal.
- If the product is class I (earthed), connect the green / yellow lead to the earth terminal.

Warning! If your product is class II double insulated (only 2 wires in the cord set), no connection is to be made to the earth terminal.

Follow the fitting instructions supplied with good quality plugs.

Any replacement fuse must be of the same rating as the original fuse supplied with the product.

Technical Data

KW1600E TYPE1		
Input voltage	VAC	220-240
Power input	W	1,600
No-load speed	min ⁻¹	11,000 - 28,000
Collet size		1/2" (12.7)/ 1/4" (6.35)/ 8 mm / 6 mm
Max. diameter of router bit	mm	42
Max. depth of cut	mm	60
Weight	kg	5.1

Protecting the environment



Separate collection. This product must not be disposed of with normal household waste.

Should you find one day that your Black & Decker product needs replacement, or if it is of no further use to you, do not dispose of it with other household waste. Make this product available for separate collection.

- Black & Decker provides a facility for recycling Black & Decker products once they have reached the end of their working life. This service is provided free of charge. To take advantage of this service please return your product to any authorised repair agent who will collect them on our behalf.
- You can check the location of your nearest authorised repair agent by contacting your local Black & Decker office at the address indicated in this manual. Alternatively, a list of authorized Black & Decker repair agents and full details of our after-sales service and contact are available on the Internet at: www.2helpU.com.

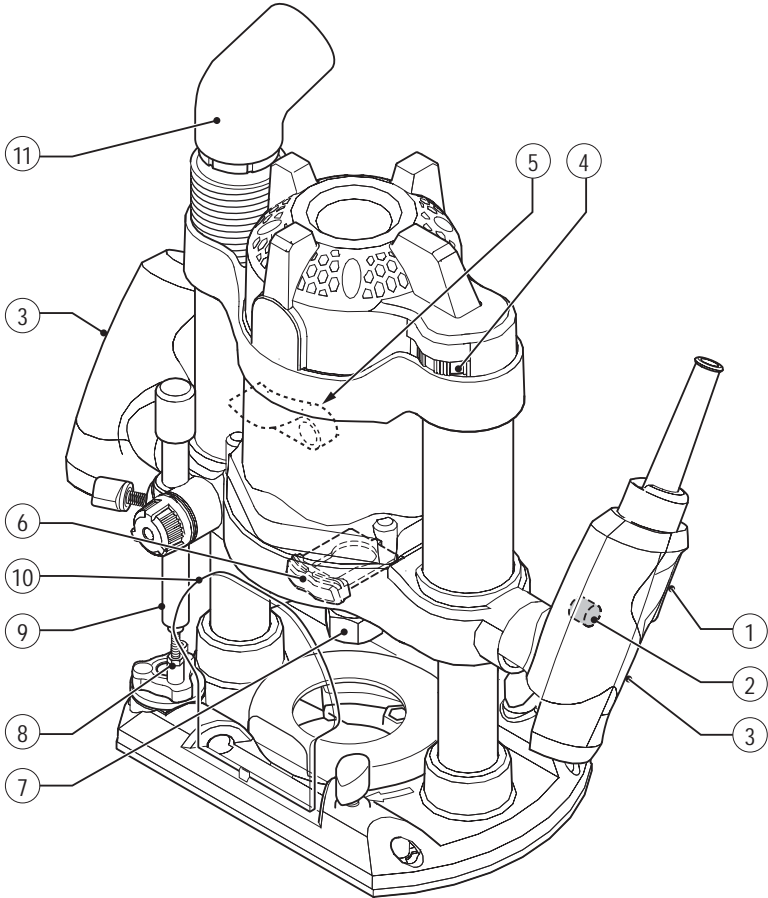
Warranty

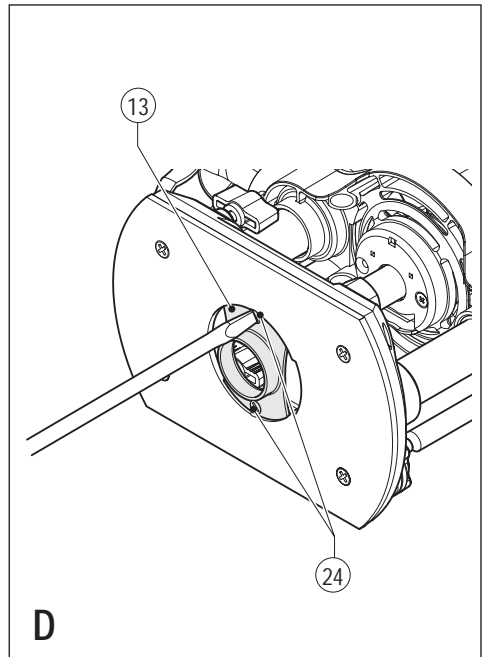
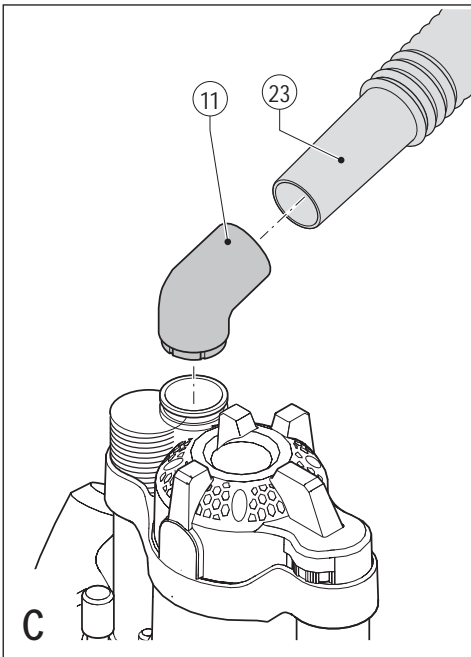
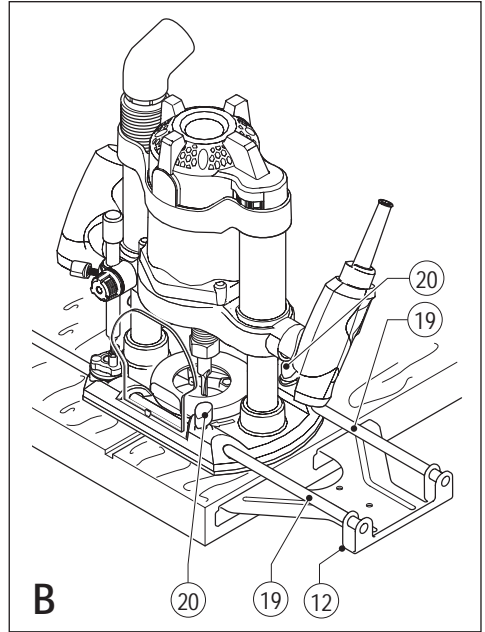
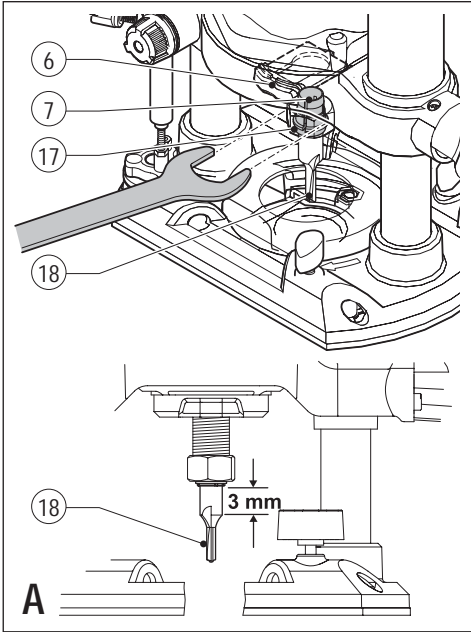
If a Black & Decker product becomes defective due to a material or manufacturing defect, within 12 months from the date of purchase, Black & Decker guarantees to replace defective parts or replace such products to ensure minimum inconvenience to the customer unless:

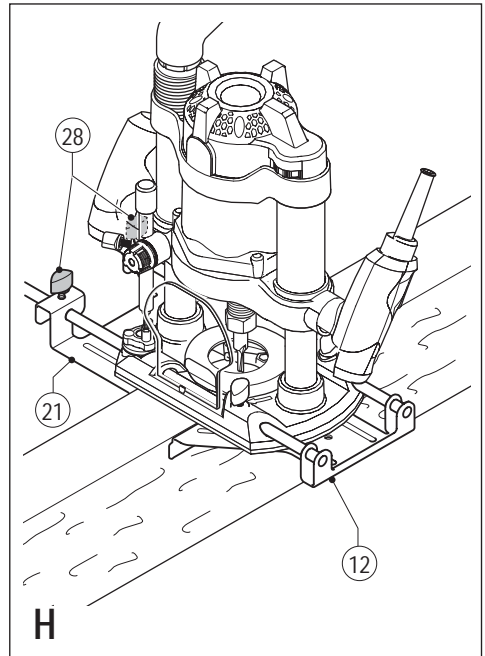
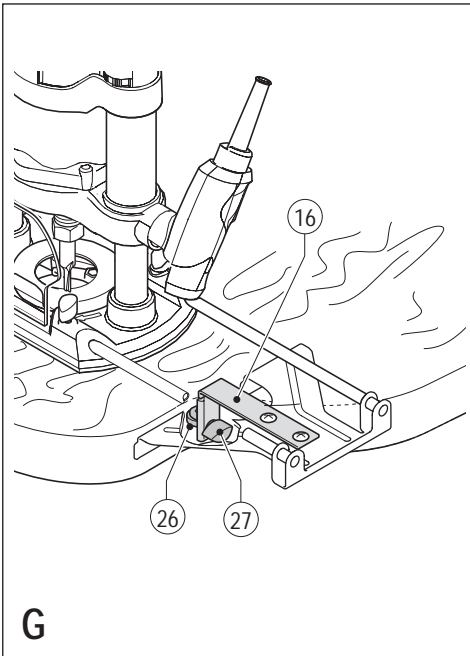
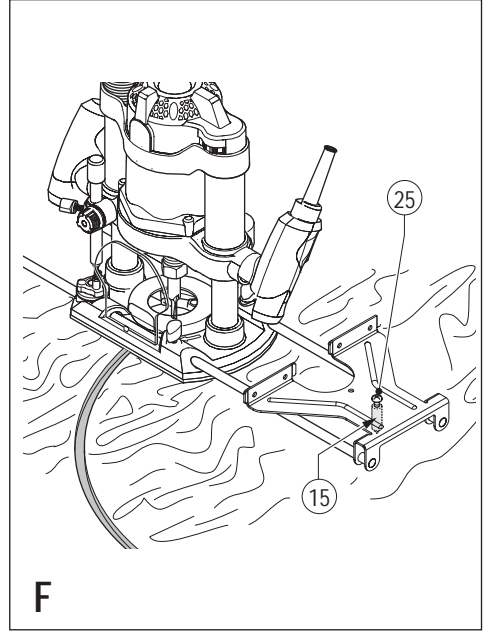
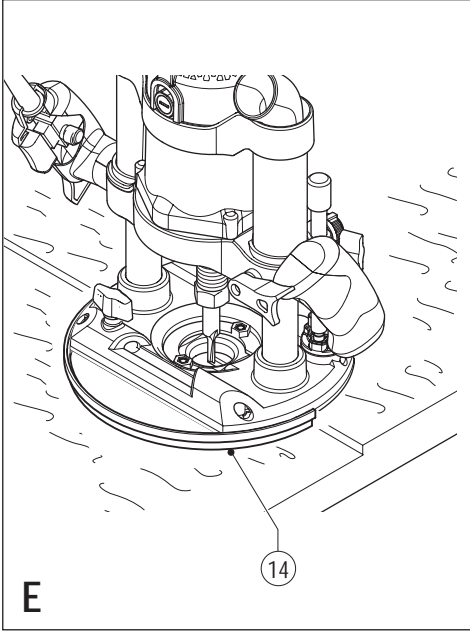
- The product has been subjected to misuse or neglect.
- The product has sustained damage through foreign objects, substances or accidents.
- Repairs have been attempted by persons other than authorised repair agents or Black & Decker service staff.

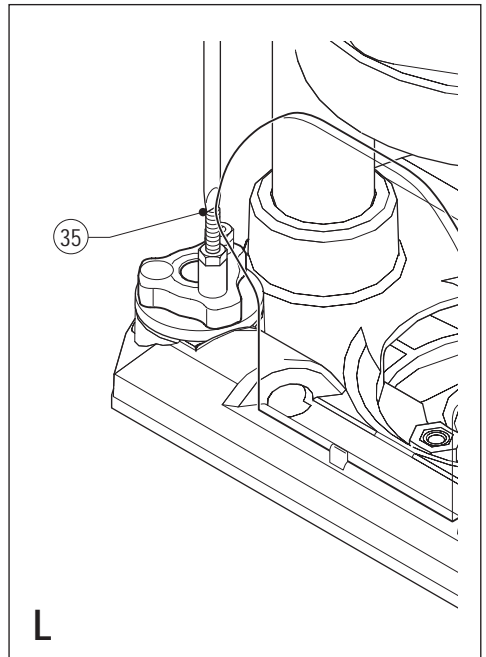
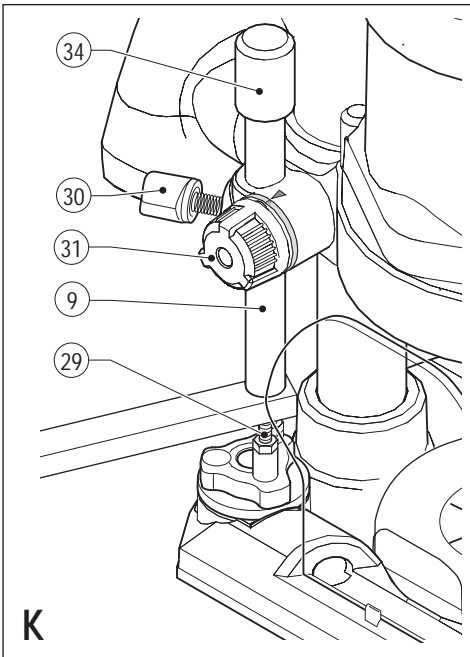
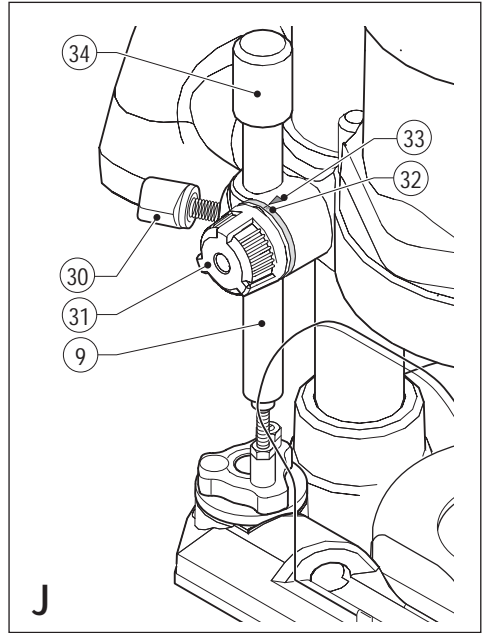
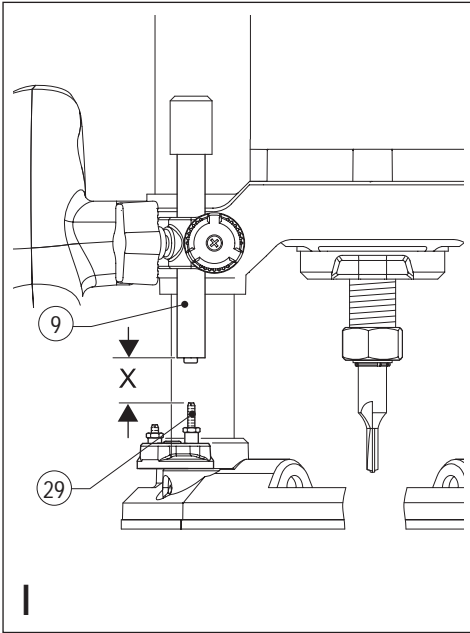
To claim on the warranty, you will need to submit proof of purchase to the seller or an authorised repair agent. You can check the location of your nearest authorised repair agent by contacting your local Black & Decker office at the address indicated in this manual. Alternatively, a list of authorised Black & Decker repair agents and full details of our after-sales service and contacts are available on the Internet at: www.2helpU.com.

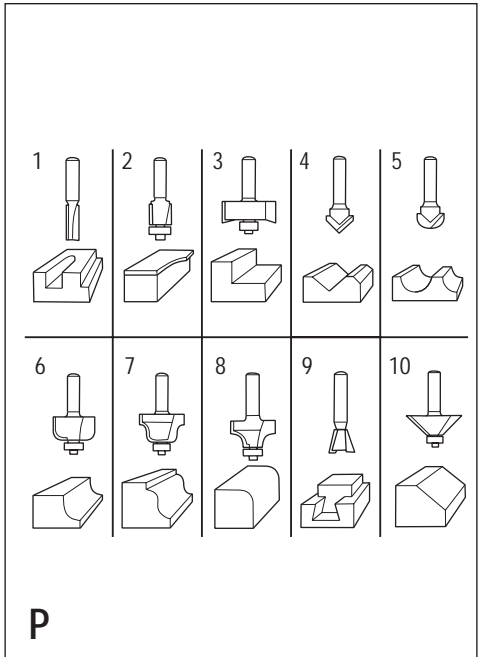
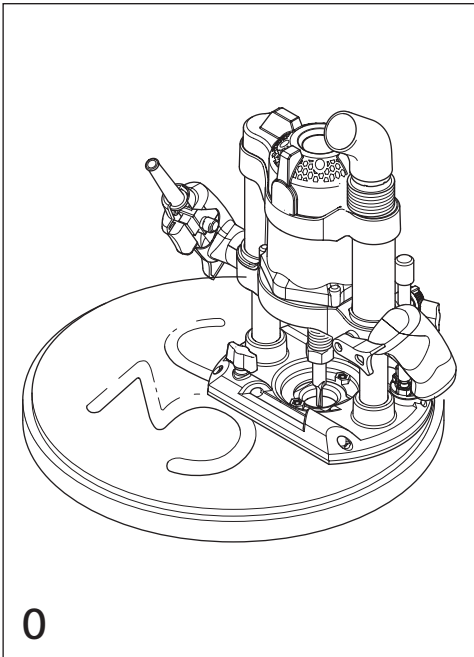
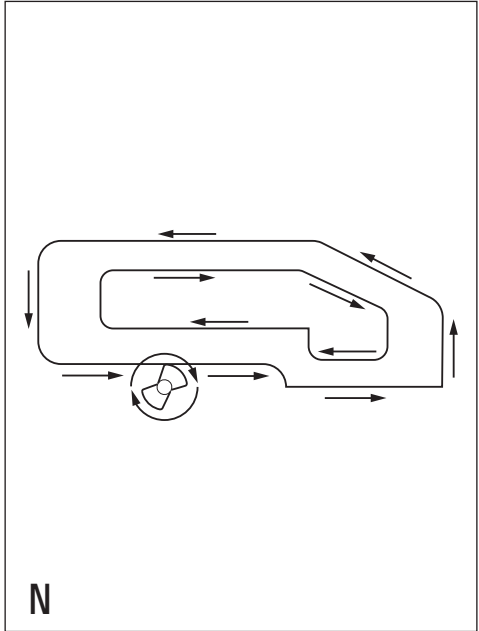
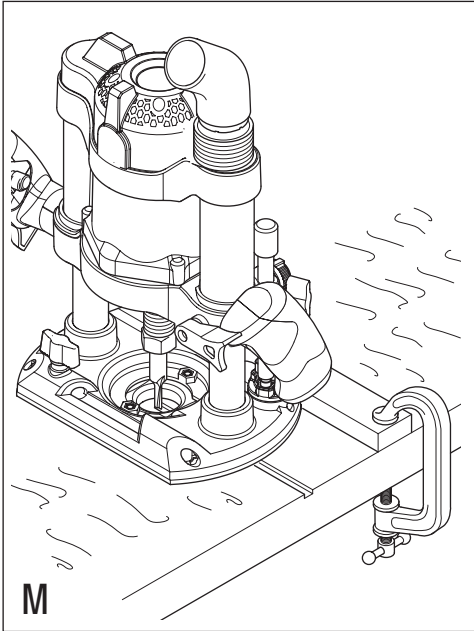
Please visit our website www.blackanddecker.ae to register your new Black & Decker product and to be kept up to date on new products and special offers. Further information on the Black & Decker brand and our range of products is available at www.blackanddecker.ae.











- ج. افصل قابس الجهاز الكهربائي عن مصدر التيار الكهربائي و/أو عن حزمة البطارية قبل إجراء أية تعديلات أو تغييرات أو تركيب أية ملحقات في الأجهزة الكهربائية أو تخزينها. تقلل إجراءات السلامة الوقائية هذه من خطر بدء تشغيل الجهاز الكهربائي فجأة دون قصد.
- د. قم بتخزين الأجهزة الكهربائية غير المستخدمة بعيداً عن متناول الأطفال ولا تسمح للأشخاص غير المعتادين على استخدام الجهاز الكهربائي أو غير المطلعين على هذه الإرشادات بتشغيل الجهاز الكهربائي. الأجهزة الكهربائية تشكل خطراً عندما تكون في يد مستخدمين غير مدربين.
- هـ. ينبغي صيانة الأجهزة الكهربائية. افحص الجهاز للتعرف على سوء المحاذاة أو إعاقة حركة الأجزاء المتحركة وللتأكد من خلوه من الأجزاء المكسورة ومن أي حالة أخرى قد تؤثر على كفاءة تشغيل الأجهزة الكهربائية. إذا تم العثور على أي تلف، ينبغي إصلاح الجهاز الكهربائي قبل الاستخدام. تنتج العديد من الحوادث عن سوء صيانة الأجهزة الكهربائية.
- و. ينبغي الحفاظ على أدوات القطع في حالة حادة ونظيفة. أدوات القطع المحافظ عليها بشكل مناسب والمزودة بشفرات قاطعة حادة هي أقل عرضة للأعطال وأسهل في التحكم.
- ز. ينبغي استخدام الجهاز الكهربائي وملحقاته وأجزائه وما إلى ذلك وفقاً لهذه الإرشادات، مع أخذ ظروف العمل والعمل المراد تنفيذه في الاعتبار. قد يتسبب استخدام الجهاز الكهربائي من أجل عمليات تشغيل مختلفة عن عمليات التشغيل المقصودة في حدوث مخاطر.
5. الصيانة
- أ. ينبغي صيانة وإصلاح الجهاز الكهربائي بواسطة شخص مؤهل باستخدام قطع غيار مطابقة فقط. هذا سيضمن الحفاظ على سلامة الجهاز الكهربائي.
- تنبيهات سلامة إضافية بخصوص الجهاز الكهربائي**
- تنبيه! تنبيهات سلامة إضافية بخصوص أجهزة مسحاح التخديد. 
- ج. يتعين منع بدء التشغيل غير المقصود. تأكد من أن المفتاح في وضع الغلق قبل التوصيل بمصدر التيار الكهربائي و/أو بحزمة البطارية أو رفع أو حمل الجهاز. يؤدي حمل الأجهزة الكهربائية والأصابع موضوعة على المفتاح، أو حمل الأجهزة الكهربائية النشطة التي تكون في وضع التشغيل، إلى وقوع حوادث.
- د. قم بإزالة أي مفتاح عادي أو مفتاح إنجليزي قبل تشغيل الجهاز الكهربائي. قد يتسبب ترك مفتاح متعلقاً بجزء دوار من الجهاز الكهربائي في حدوث إصابة شخصية.
- هـ. ينبغي عدم الاقتراب المفرط. ينبغي الحفاظ على ثبات القدمين والتوازن في كافة الأوقات. هذا يمكنك من السيطرة الجيدة على الجهاز الكهربائي في المواقف غير المتوقعة.
- و. ينبغي ارتداء الملابس المناسبة. لا ترتدي الملابس الفضفاضة أو المجوهرات. ينبغي الحفاظ على شعرك وملابسك وقفازاتك بعيداً عن الأجزاء المتحركة. قد تتعلق الملابس الفضفاضة أو المجوهرات أو الشعر الطويل بالأجزاء المتحركة.
- ز. إذا كانت هناك أجهزة موفرة بخصوص توصيل مرافق استخراج الغبار والجمع، تأكد من توصيل تلك الأجهزة واستخدامها بالشكل المناسب. يمكن أن يقلل استخدام تلك الأجهزة من حدوث المخاطر المرتبطة بالغبار.
4. استخدام الجهاز الكهربائي والعناية به
- أ. يتعين عدم الضغط على الجهاز الكهربائي للعمل بمعدل أعلى من المعدل الطبيعي. استخدم الجهاز الكهربائي الذي يتناسب مع الغرض والاستخدام الذي تريده. سوف يقوم الجهاز الكهربائي الصحيح بأداء العمل بشكل أفضل وأكثر أماناً بالمعدل الذي تم تصميمه من أجله.
- ب. لا تستخدم الجهاز الكهربائي إذا لم يتم القيام بعمله بشكل صحيح وإيقاف تشغيله. أي جهاز كهربائي لا يمكن التحكم فيه باستخدام المفتاح يكون خطراً وينبغي إصلاحه.

• ينبغي مراعاة العناية الخاصة أثناء التخديد عندما يُحتمل أن يكون الطلاء يحتوي على الرصاص أو عند تخديد بعض الأخشاب التي قد ينتج عنها غبار سام: - لا تسمح للأطفال أو النساء الحوامل بالدخول إلى منطقة العمل.

- تجنب تناول الطعام أو الشراب أو التدخين في منطقة العمل.

- تخلص من جسيمات التراب وأي مخلفات أخرى بطريقة آمنة.

• الاستخدام المقصود موضح في دليل الإرشادات هذا. قد يتسبب استخدام أي وحدة ملحقة أو تنفيذ أية عملية بهذا الجهاز بخلاف تلك الموصى بها في دليل الإرشادات هذا في حدوث إصابة شخصية و/أو تلف للممتلكات.

سلامة الآخرين

• هذا الجهاز غير مصمم ليستخدمه الأشخاص ذوو القدرات الجسدية والذهنية والحسية والعقلية المتدنية والخبرة والمعرفة القليلتين (بما في ذلك الأطفال) إلا في ظل الإشراف عليهم أو إعطائهم التعليمات المتعلقة باستخدام الجهاز من قبل الشخص المسؤول عن سلامتهم.

• يلزم الإشراف على الأطفال لضمان عدم عبثهم بالجهاز.

المخاطر المتبقية

قد تنشأ مخاطر متبقية إضافية عند استخدام الجهاز والتي قد لا تكون مضمنة في تنبيهات السلامة المرفقة. وقد تنشأ تلك المخاطر عن سوء الاستخدام أو الاستخدام المطول وما إلى ذلك.

حتى مع تطبيق لوائح السلامة ذات الصلة واستخدام أدوات السلامة، لا يمكن تجنب بعض المخاطر المتبقية. تشمل هذه المخاطر المتبقية ما يلي:

• امسك الجهاز الكهربائي بواسطة مقبض ذو أسطح معزولة، فقد تلامس وحدة القطع سلكها. وقد يؤدي قطع سلك تيار "حي" إلى تعرية الأجزاء المعدنية لسلك التيار "الحي"؛ ومن ثم قد يتسبب ذلك في تعرض المشغل لصدمة كهربائية.

• استخدم المشابك أو أي طريقة عملية أخرى لإحكام تثبيت وتدعيم قطعة العمل على منصة مستقرة. إن مسك قطعة العمل بواسطة اليد أو وضعها على جسمك يجعل قطعة العمل غير مستقرة وقد يؤدي إلى فقدان السيطرة.

• تنبيه! التلامس مع أو استنشاق الغبار الناشئ عن تخطيط التطبيقات قد يُعرض صحة المشغل والمتفرجين المحتملين للخطر. ارتدي كامامة أتربة خاصة مصممة للحماية من الأتربة والأدخنة وتأكد أيضًا من حماية الأشخاص الموجودين داخل أو الداخلين إلى منطقة العمل.

• قم بإزالة كافة الأتربة تمامًا بعد التخديد.

• استخدم فقط لقم مسحاج التخديد التي يساوي قطر جذعها حجم الطوق المعدني المركب في الجهاز.

• تجنب مطلقًا استخدام لقم مسحاج التخديد التي يزيد قطرها عن القطر الأقصى المحدد في قسم البيانات الفنية.

• لا تستخدم الجهاز في وضع مقلوب.

• لا تحاول استخدام الجهاز في وضع ثابت.

• في حالة تلف سلك التيار الكهربائي، يجب استبداله من قبل الشركة المصنعة أو مركز صيانة بلاك أند ديكر معتمد لتجنب المخاطر.

المصقات على الأجهزة

الرسومات التالية موضحة على الجهاز:

تنبيه! لتقليل خطر الإصابة، ينبغي على المستخدم قراءة دليل الإرشادات.



السلامة الكهربائية

هذا الجهاز معزول عزلاً مزدوجاً؛ لذلك، لا حاجة إلى سلك أرضي. وينبغي التأكد دائماً من توافق مصدر التيار الكهربائي مع الجهد الموضح على



لوحة التقنين.

في حالة تلف سلك التيار الكهربائي، يجب استبداله من قبل الشركة المصنعة أو مركز صيانة بلاك أند ديكر معتمد لتجنب المخاطر.

• الإصابات الناتجة عن ملامسة أية أجزاء دوارة/متحركة.

• الإصابات التي تحدث عند تغيير أية أجزاء أو شفرات أو ملحقات.

• الإصابات الناتجة عن الاستخدام المطول للجهاز. عند استخدام أي جهاز لفترات طويلة، تأكد من التوقف لفترات فاصلة منتظمة.

• ضعف السمع

• المخاطر الصحية الناتجة عن استنشاق الغبار الناشئ عند استخدام الجهاز (على سبيل المثال: الاستخدام مع الأخشاب وعلى وجه الخصوص خشب البلوط وخشب الزان والخشب الليفي متوسط الكثافة).

الاهتزاز

قيم انبعاث الاهتزازات المعلنة المذكورة في البيانات الفنية ومعلومات التوافق تم قياسها وفقاً لطريقة اختبار قياسية منصوص عليها بموجب المعيار EN 60745 ويمكن استخدامها لمقارنة جهاز ما مع آخر. ويمكن استخدام قيمة انبعاث الاهتزازات المعلنة في إجراء تقييم أولي للتعرض.

تنبيه! يمكن أن تختلف قيمة انبعاث الاهتزازات أثناء الاستخدام الفعلي للجهاز الكهربائي عن القيمة المعلنة حيث يتوقف ذلك على طرق استخدام الجهاز. قد يزداد مستوى الاهتزاز عن المستوى المذكور.

عند تقييم التعرض للاهتزاز لتحديد إجراءات السلامة المطلوبة بموجب المعيار EC/2002/44 لحماية الأشخاص الذين يستخدمون الأجهزة الكهربائية بشكل منتظم في عملهم، يلزم مراعاة ما يلي في عملية تقييم التعرض للاهتزاز: الظروف الفعلية للاستخدام والطريقة التي يتم استخدام الجهاز بها، بما في ذلك أخذ كافة أجزاء دورة التشغيل في الاعتبار؛ مثل الأوقات التي يتم فيها إيقاف تشغيل الجهاز أو عند التوقف عن استخدامه، بالإضافة إلى أوقات التشغيل.

المزايا

1. مفتاح تشغيل/إيقاف
2. زر غلق
3. مقبض
4. قرص تحكم في السرعة متغير
5. ذراع غلق الكبس
6. زر غلق عمود الدوران
7. طوق معدني
8. وحدة تحديد عمق الوحدة الدوارة
9. قضيب وحدة تحديد العمق
10. عاكس الرقاقات
11. مهائئ استخراج الغبار

التركيب

تنبيه! قبل التركيب، تأكد من إيقاف تشغيل الجهاز وفصله عن مصدر التيار الكهربائي.

تركيب الدليل القالب (الشكل "د")

- ركب الدليل القالب (13) في قاعدة مسحاج التخديد، مع توجيه الشفة نحو الجانب السفلي (قطعة العمل).
- أدخل مسماري البراغي الطويلين (24) من الجانب السفلي خلال الدليل القالب والفتحات الموجودة في القاعدة.
- ضع صمولة على كل برغي واربط الصمولتين بإحكام.

تركيب قطعة المبادعة (الشكل "هـ")

- ركب قطعة المبادعة (14) في قاعدة مسحاج التخديد باستخدام البراغي الموفر مع الجهاز.

تركيب دبوس تحديد المركز (الشكل "و")

- ركب دليل الحافة في مسحاج التخديد وفق الموضح في الشكل "ب"، ولكن معكوسًا.
- ركب دبوس تحديد المركز (15) في جانب قطعة العمل من دليل الحافة باستخدام البرغي (25) الموفر مع الجهاز.

تركيب مقلد النسخة (الشكل "ز")

- ركب دليل الحافة في مسحاج التخديد وفق الموضح في الشكل "ب".
- ركب القضيب الذي على شكل حرف "L" (16) في الجانب العلوي من دليل الحافة باستخدام مسماري البراغي والصمولتين الموفرين مع الجهاز.

- اضبط الوحدة الدوارة (26) على القضيب الذي على شكل حرف "L" باستخدام القرص المجنح (27).

التركيب ودليل الحافة الإضافي (الشكل "ح")

- الدليل الإضافي (21) مصمم لإتاحة تخديد قطعة خشب رقيقة (مثل حافة الباب).
- اضبط دليل الحافة (12) حسب اللازم.

تركيب لقمة مسحاج التخديد (الشكل "أ")

- قم بإزالة عاكس الرقاقات (10) عن طريق سحبه في اتجاه مستقيم لأعلى من قاعد مسحاج التخديد.
- تنبيه! احترس من ثني عاكس الرقاقات.

- ابق على زر غلق عمود الدوران (6) مضغوطًا و قم بإدارة عمود الدوران حتى يتعشق قفل عمود الدوران بالكامل.

- فك صمولة الطوق المعدني (17) باستخدام المفتاح المرفق مع الجهاز.

- أدخل جذع لقمة مسحاج التخديد (18) في الطوق المعدني (7). تأكد من أن نتوءات الجذع على بعد 3 ملم على الأقل من الطوق المعدني كما هو موضح.

- ابق على زر غلق عمود الدوران (6) مضغوطًا واربط صمولة الطوق المعدني (17) باستخدام المفتاح المرفق مع الجهاز.

تركيب دليل الحافة (الشكل ب)

- يساعد دليل الحافة (12) في توازي الجهاز مع الحافة.
- أدخل القضبان (19) في قاعدة مسحاج التخديد وفق الموضح.

- اضبط دليل الحافة على المسافة المطلوبة.

- اربط براغي التثبيت (20).

تركيب مهائئ استخراج الغبار (الشكل ج)

- يتيح مهائئ استخراج الغبار توصيل مكنتة كهربائية بالجهاز.

- ضع مهائئ استخراج الغبار (11) على منفذ استخراج الغبار وفق الموضح.

- وصل خرطوم (23) المكنتة الكهربائية بالمهائئ (11).

- فك براغي التثبيت (28).
- ركب دليل الحافة (21) في القضبان (19) الناتئة من قاعدة مسحاج التخديد.
- اضبط دليل الحافة بحيث تصبح قطعة العمل مثبتة بين دليلي الحافة.
- اربط براغي التثبيت (28).

ضبط عمق القطع باستخدام قطعة خشب (الشكل ك)

- ركب لقمة مسحاج التخديد واكبس مسحاج التخديد لأسفل وفق الموضع أعلاه.
- فك برغي الغلق (30).
- حرك قضيب وحدة تحديد العمق (9) لأعلى باستخدام وحدة ضبط وحدة تحديد العمق (31).
- ضع قطعة خشب بسمك يعادل عمق القطع المطلوب بين وحدة تحديد العمق (29) وقضيب وحدة تحديد العمق (9).
- حرك قضيب وحدة تحديد العمق (9) لأسفل مقابل الخشب باستخدام وحدة ضبط وحدة تحديد العمق (31).

- اربط برغي الغلق (30).
- دقق الضبط باستخدام قرص الضبط (34).
- قم بإزالة قطعة الخشب.
- اسحب ذراع غلق الكبس (5) لأعلى وقم بإعادة مسحاج التخديد إلى موضعه الأصلي.
- بعد تشغيل مسحاج التخديد، اكبس لأسفل وقم بإجراء القطع المطلوب.

ضبط وحدة تحديد عمق الوحدة الدوارة (الشكل "ل")

- بعد إدارة وحدة تحديد عمق الوحدة الدوارة إلى الإعداد المطلوب، يمكنك تدقيق ضبط وحدة تحديد العمق المطلوب استخدامها. إذا كنت ترغب في إجراء عدة عمليات قطع باستخدام عمق قطع مختلف، اضبط كل وحدة من وحدات تحديد العمق.

الاستخدام
تنبيه! اترك الجهاز يعمل بسرعه الطبيعية. لا تفرط في التحميل.

- افرد الكابل بعناية لتجنب قطعه دون قصد.

ضبط عمق القطع (الشكل "ط" و "ي" و "ك")

عمق القطع هو المسافة س بين قضيب وحدة تحديد العمق (9) ووحدة تحديد العمق (29). يمكن ضبط عمق القطع بطريقتين مختلفتين وفق الموضع فيما يلي.

ضبط عمق القطع باستخدام المقياس المدرج (الشكل "ي")

- ركب لقمة مسحاج التخديد وفق الموضع أعلاه.
- فك برغي الغلق (30).
- اسحب ذراع غلق الكبس (5) لأعلى.
- اكبس مسحاج التخديد لأسفل حتى تلامس لقمة مسحاج التخديد قطعة العمل.
- ادفع ذراع غلق الكبس (5) لأسفل.
- حرك قضيب وحدة تحديد العمق (9) لأسفل مقابل وحدة تحديد العمق باستخدام وحدة ضبط وحدة تحديد العمق (31). أعد ضبط المقياس المدرج من خلال محاذاة علامة الصفر (32) مع السهم (33).

- حرك قضيب وحدة تحديد العمق (9) إلى الموضع المحسوب باستخدام وحدة ضبط وحدة تحديد العمق (31). ربع لفة تعادل 6,25 ملم تقريبًا.

- اربط برغي الغلق (30).

• اثقب فتحة من أجل نقطة دبوس تحديد المركز في وسط الدائرة لقطعها.

• ضع مسحاج التخليد على قطعة العمل مع وضع نقطة دبوس تحديد المركز في الفتحة المثقوبة.

• اضبط نصف قطر الدائرة باستخدام قضبان دليل الحافة.

• يمكن الآن تحريك مسحاج التخليد على قطعة العمل لقطع الدائرة.

استخدام مقلد النسخة (الشكل "ز")

يساعد مقلد النسخة في الحفاظ على مسافة قطع متساوية بطول حافة قطعة العمل غير منتظمة الشكل.

• ضع مسحاج التخليد على قطعة العمل على البعد المطلوب من الحافة المطلوب نسخها.

• اضبط قضبان دليل الحافة حتى تلامس العجلة قطعة العمل.

التشغيل والإيقاف

التشغيل

• ابق على زر الغلق (2) مضغوطًا واضغط على مفتاح التشغيل / الإيقاف (1).

• حرر زر الغلق.

الإيقاف

• حرر مفتاح التشغيل / الإيقاف.

• تنبيه! ينبغي دائمًا تشغيل الجهاز باليدين معًا.

التخليد

• ركب لقمة مسحاج التخليد واضبط عمق القطع المطلوب وفق الموضع.

• من خلال مسك الجهاز بإحكام من المقبضين بكلتا اليدين (3)، ضع الجهاز على قطعة العمل وشغل الجهاز.

• قم بإدارة برغي وحدة تحديد العمق (35) لأعلى أو لأسفل حسب المطلوب باستخدام مفك.

ضبط السرعة

• اضبط قرص التحكم في السرعة (4) على السرعة المطلوبة. استخدم سرعة عالية من أجل لقم مسحاج التخليد ذات القطر الصغير. استخدم سرعة بطيئة من أجل لقم مسحاج التخليد ذات القطر الكبير.

استخدام عارضة خشبية كدليل (الشكل "م")

عندما لا يمكن استخدام دليل الحافة؛ مثلًا عند تخديد تجاويف في اللوحة الخلفية من خزانة الكتب، اتبع الخطوات التالية:

• اختر قطعة خشب ذات حافة مستقيمة لاستخدامها كعارضة خشبية.

• ضع العارضة الخشبية على قطعة العمل.

• حرك العارضة الخشبية حتى تصل إلى الموضع الصحيح لتوجيه الجهاز.

• ثبت العارضة الخشبية بمشبك بإحكام في قطعة العمل.

استخدام الدليل القالب (الشكل "د")

يمكن استخدام الدليل القالب لقطع شكل من قالب، على سبيل المثال حرف.

• اربط القالب فوق قطعة العمل باستخدام شريط مزدوج أو مشابك على شكل حرف "G".

• يلزم مد لقمة مسحاج التخليد أسفل شفة الدليل القالب، لقطع قطعة العمل وفق شكل القالب.

استخدام قطعة المباعدة (الشكل "هـ")

يمكن استخدام قطعة المباعدة لشذب النتوءات الرأسية في الخشب والصفائح.

استخدام دبوس تحديد المركز (الشكل "و")

يمكن استخدام دبوس تحديد المركز لقطع الأشكال الدائرية.

نصائح للاستخدام الأمثل

- عند العمل على حواف خارجية، حرك الجهاز في عكس اتجاه حركة عقارب الساعة (الشكل ن). عند العمل على حواف داخلية، حرك الجهاز في اتجاه حركة عقارب الساعة.
- استخدم لقم مسحاج تخديد مصنوعة الصلب عالي السرعة (HSS) من أجل الخشب الهش.
- استخدم لقم مسحاج تخديد مصنوعة من كربيد التنجستن (TCT) أجل الخشب الصلب.
- يمكنك استخدام الجهاز دون دليل (الشكل س). هذا الأمر مفيد في كتابة لغة الإشارة والأعمال الإبداعية. قم فقط بإجراء عمليات القطع قليلة العمق.
- راجع الجدول الوارد أدناه للتعرف على الأنواع العامة للقم مسحاج التخديد.

KW1600EA - لقم مسحاج التخديد (الشكل "ع")

الوصف	الاستخدام
لقمة مستقيمة (1)	الأخاديد والتجاويف
لقمة تشذيب (2)	تشذيب الصفائح أو الخشب الصلب والرسم الدقيق باستخدام قالب
لقمة تجويف (3)	إجراء تجاويف في قطع العمل المستقيمة والمنحنية
لقمة تخديد على شكل حرف "V" (4)	الأخاديد والحفر وشطف الحواف
لقمة صندوق (5)	إجراء الأخاديد العميقة والحفر وحلية الحافة المزخرفة
لقمة التجويف (6)	حلية الحافة المزخرفة
لقمة الحلية الجانبية (7)	حلية الحافة المزخرفة
لقمة التدوير (8)	التدوير فوق الحواف
لقمة التعشيق (9)	مفاصل التعشيق
لقمة الشطف (10)	شطف الحواف

- اترك الجهاز يصل إلى سرعته قبل الكبس لأسفل على قطعة العمل. عند ملامسة قضيب وحدة تحديد العمق، شغل ذراع غلق الكبس (5).
- نفذ المهمة من خلال الضغط المتواصل لأسفل وفي اتجاه القطع. احتفظ بقبضة محكمة على المقابض وكن مستعداً لأي قوة رد فعل محتمل إذا توقفت لقمة مسحاج التخديد فجأة؛ مثلما يحدث عقب ملامسة عقدة.
- عند اكتمال المهمة، حرر ذراع غلق الكبس وتحكم في حركة الجهاز لأعلى للعودة إلى وضعه الأصلي. عند عودة الجهاز إلى وضعه الأصلي، يمكن إيقاف تشغيله. كن على دراية بأن القاعدة محملة على زنبرك وأن الجهاز سوف يقفز لأعلى إذا لم يتم التحكم فيه.

سرعة التخديد

- يمكن تغيير سرعة تشغيل الجهاز للتأثير على مستوى التشطيب. سوف يعتمد الاختيار الصحيح للسرعة على مستوى التشطيب المطلوب ونوع المادة المستخدمة المطلوب تخديدها وقطر وشكل لقمة مسحاج التخديد.
- قم بإعداد الجهاز لإجراء قطع عملي على قطعة من فضلة مادة متبقية. قم بإجراء ضبط تمهيدي للسرعة من خلال اختيار سرعة عالية من أجل لقم مسحاج التخديد ذات القطر الصغير وسرعة بطيئة من أجل لقم مسحاج التخديد ذات القطر الكبير.
- عند اكتمال عملية التخديد، اسحب الجهاز من قطعة العمل، وأوقف تشغيل الجهاز وافحص مستوى التشطيب. اضبط قرص التحكم في السرعة (4) وكرر العملية حتى الحصول على مستوى التشطيب الأمثل.
- تنبيه! لا تحرر المقابض لضبط السرعة عندما يكون الجهاز مغلق لأسفل وقيد التشغيل على قطعة العمل.

البيانات الفنية

الصيانة

KW1600E (الطراز 1)		
220-240	فولت تيار مستمر	الجهد الكهربائي الداخل
1600	وات	دخل الطاقة
11000-28000	دقيقة ⁻¹	سرعة الدوران دون حمل
/ (6.35)1/4" / (12.7)1/2"		حجم الطوق المعدني
42	ملم	أقصى قطر للكمة مسحاج التخديد
60	ملم	أقصى عمق للقطع
5.1	كجم	الوزن

جهاز بلاك آند ديكر مصمم من أجل تشغيله لفترة طويلة من الزمن بحد أدنى من الصيانة. تعتمد عملية التشغيل المرضية المستمرة على العناية المناسبة بالجهاز والتنظيف المنتظم له.

تنبيه! قبل إجراء أي صيانة، قم بإيقاف تشغيل الجهاز وافصله عن التيار الكهربائي.

- نظف فتحات التهوية في الجهاز بشكل دوري باستخدام فرشاة ناعمة أو قطعة قماش جافة.
- نظف وحد إيواء المحرك بشكل منتظم باستخدام قطعة قماش رطبة. لا تستخدم أي مادة تنظيف كاشطة أو مذيبيّة.

استبدال قابس التيار الكهربائي

إذا كان هناك حاجة إلى تركيب قابس تيار كهربائي جديد:

- قم بفك القابس القديم بطريقة آمنة.
 - وصل سلك التوصيل البني بطرف التيار الحي في القابس الجديد.
 - وصل سلك التوصيل الأزرق بطرف التيار المحايد.
 - إذا كان المنتج من الفئة 1 (المأرضة)، وصل سلك التوصيل الأخضر / الأصفر بالطرف الأرضي.
- تنبيه! إذا كان المنتج من الفئة 2 مزدوجة العزل (سلكين اثنين فقط في مجموعة السلك)، لا يتم التوصيل بطرف أرضي.
- اتبع تعليمات التركيب الموفرة مع القوابس عالية الجودة.
- أي صمامة كهربائية بديلة يلزم أن تكون بنفس تقنين الصمامة الكهربائية الأصلية الموفرة مع المنتج.

حماية البيئة



الجمع المنفصل. يلزم عدم التخلص من هذا المنتج مع القمامة المنزلية العادية.

إذا لزم في يوم من الأيام استبدال منتج بلاك أند ديكر الخاص بك، أو إذا لم تعد تستخدمه، فلا تتخلص منه مع القمامة المنزلية الأخرى، بل تأكد من إتاحة هذا المنتج للجمع المنفصل.

• توفر شركة بلاك أند ديكر مرفق لإعادة تدوير منتجات بلاك أند ديكر بمجرد وصولها إلى نهاية عمرها وعدم صلاحيتها للعمل. ويتم تقديم هذه الخدمة مجاناً. للاستفادة من هذه الخدمة، يرجى إعادة المنتج إلى أي وكيل صيانة معتمد والذي سوف يتولى بدوره جمع المنتجات نيابة عنا.

• يمكنك التعرف على موقع أقرب وكيل صيانة معتمد من خلال الاتصال على مكتب بلاك أند ديكر المحلي في العنوان الموضح في هذا الدليل. وبدلاً من ذلك، توجد قائمة بوكلاء الصيانة المعتمدين التابعين لشركة بلاك أند ديكر والتفاصيل الكاملة لخدمات ما بعد البيع ووسائل الاتصال الخاصة بنا على الإنترنت على الموقع الإلكتروني: www.2helpU.com.

الضمان

إذا ظهر خلل في منتج بلاك أند ديكر بسبب عيب في المواد أو التصنيع، في غضون 12 شهراً من تاريخ الشراء، فإن بلاك أند ديكر تضمن استبدال الأجزاء المعيبة أو استبدال هذه المنتجات لتوفير أقصى قدر من الراحة للعميل، إلا إذا:

• تعرض المنتج لإساءة الاستخدام أو الإهمال.

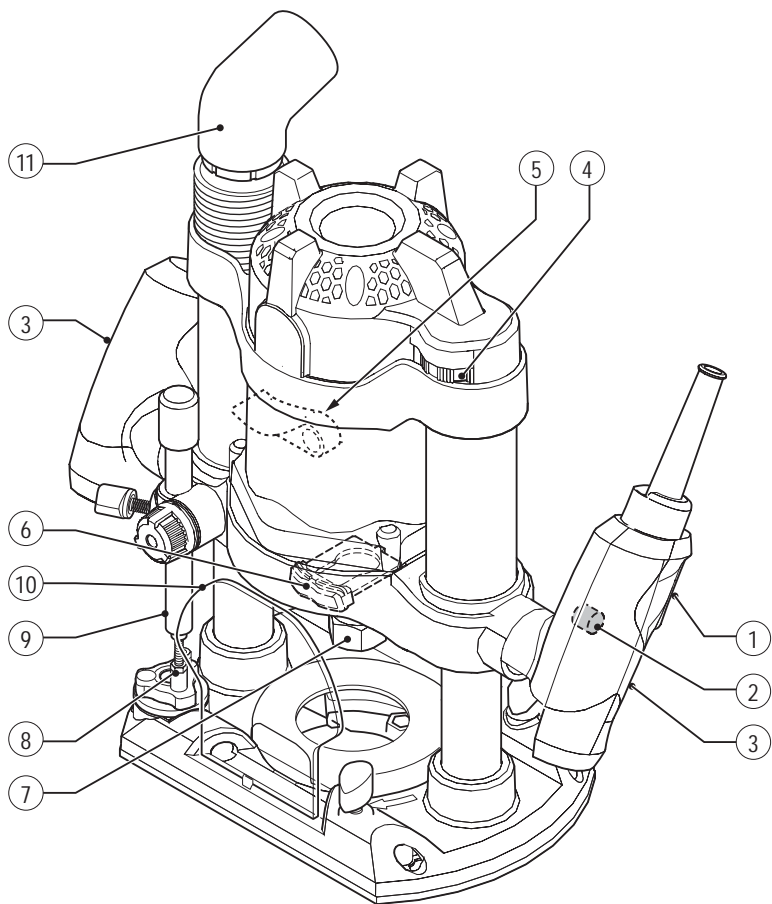
• لحقت أضرار جسيمة بالمنتج بسبب أجسام أو مواد غريبة أو حوادث.

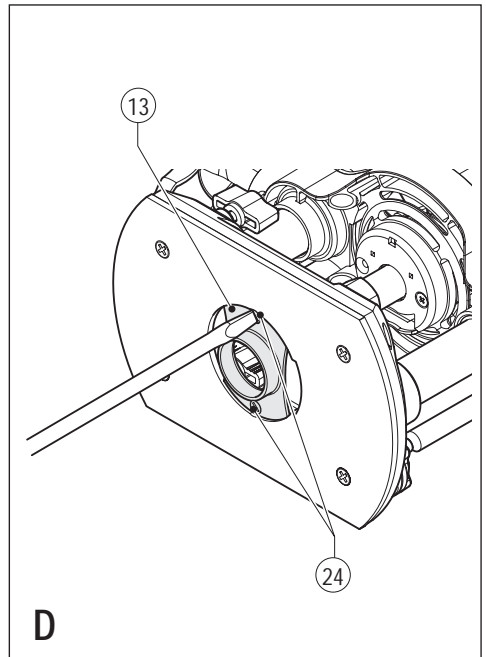
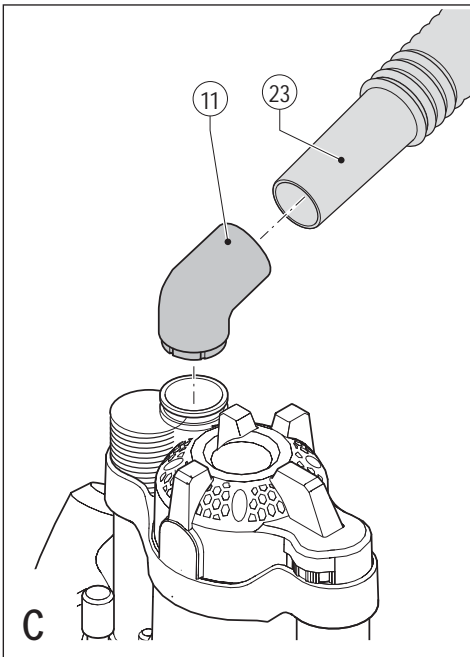
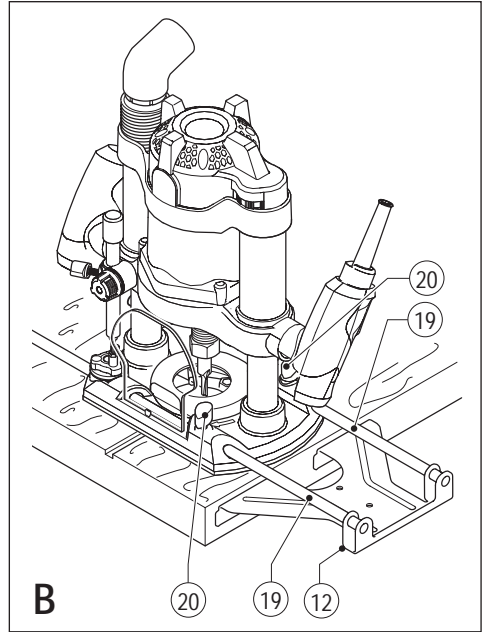
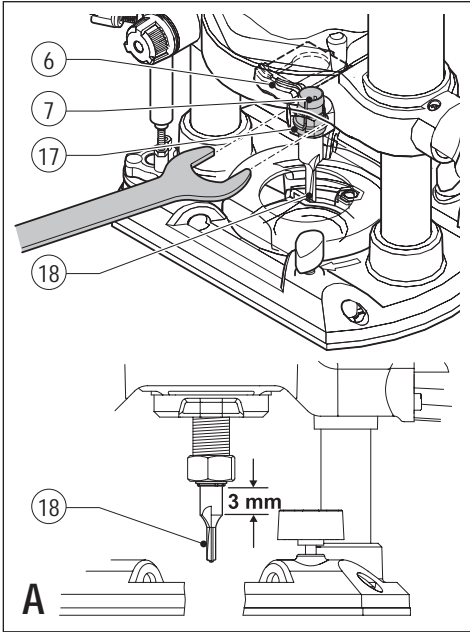
• حاول شخص آخر سوى وكلاء الصيانة المعتمدين أو عاملي الصيانة التابعين لبلاك أند ديكر إصلاح المنتج.

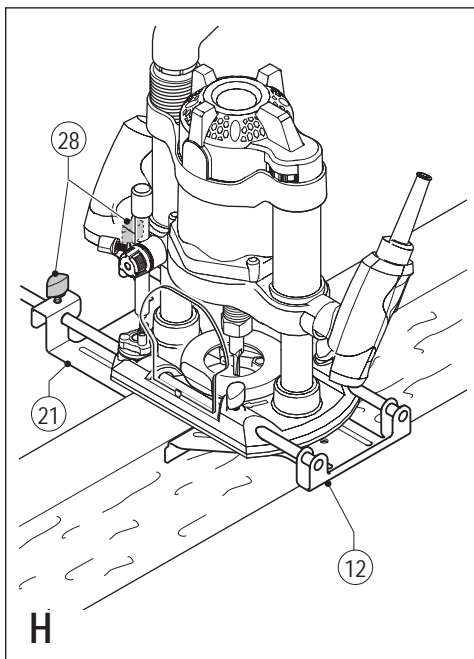
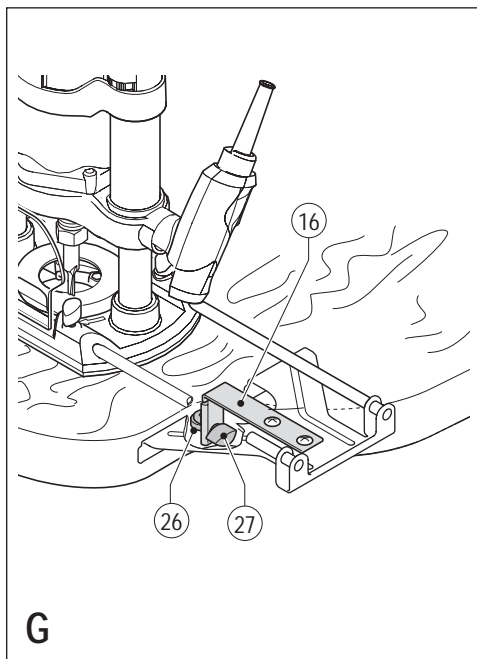
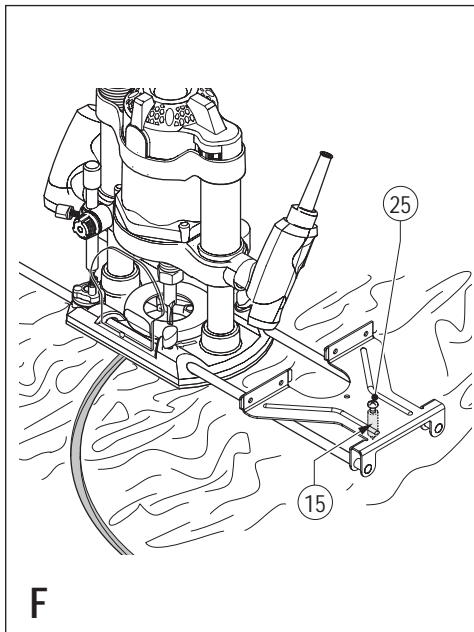
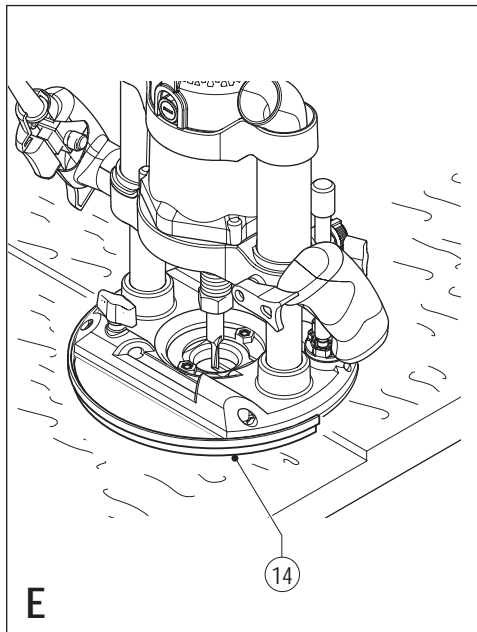
للحصول على خدمات الضمان، يجب تقديم فاتورة الشراء للبائع أو وكيل الصيانة المعتمد. يمكنك معرفة موقع أقرب وكيل صيانة معتمد عن طريق الاتصال بمكتب بلاك أند ديكر المحلي في العنوان المبين في هذا الدليل. وبدلاً من ذلك، تتوفر قائمة بوكلاء الصيانة المعتمدين لدى بلاك أند ديكر والتفاصيل الكاملة لخدمة ما بعد البيع وجهات الاتصال على موقعنا على الإنترنت:

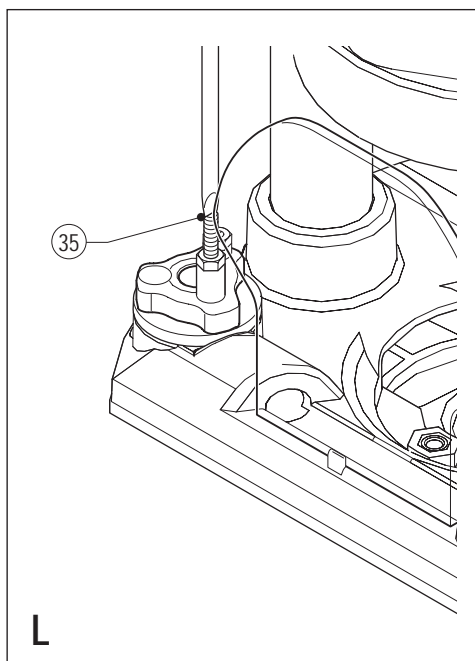
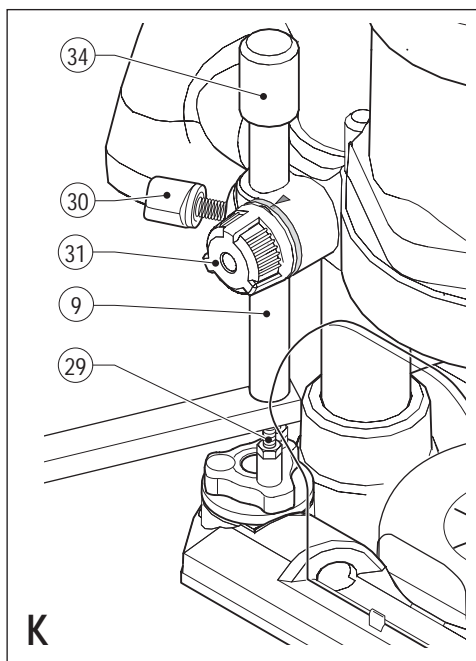
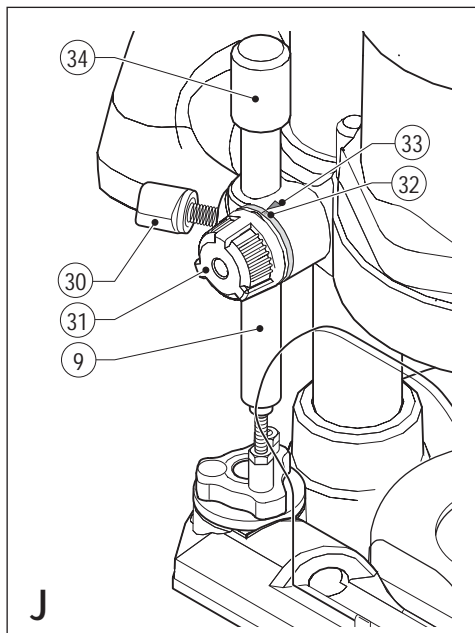
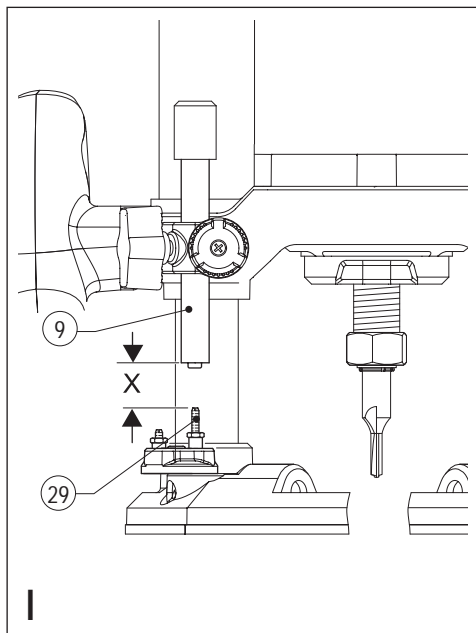
www.2helpU.com

تفضل بزيارة www.blackanddecker.ae لتسجيل منتجك الجديد من بلاك أند ديكر والاطلاع على المنتجات الجديدة والعروض الخاصة. تتوفر المزيد من المعلومات حول شركة بلاك أند ديكر ومجموعة منتجاتنا على www.blackanddecker.ae

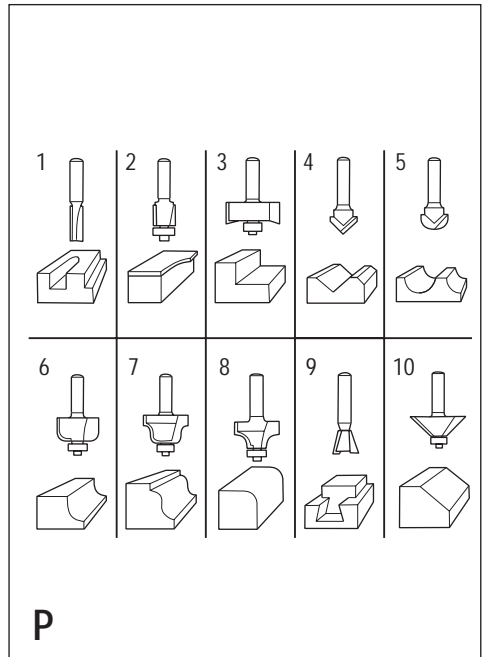
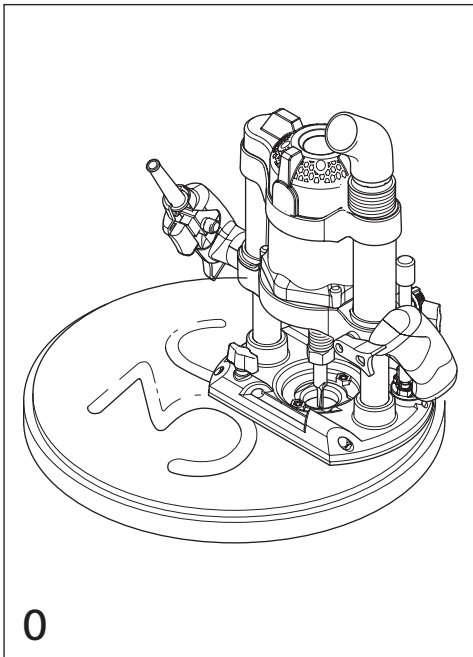
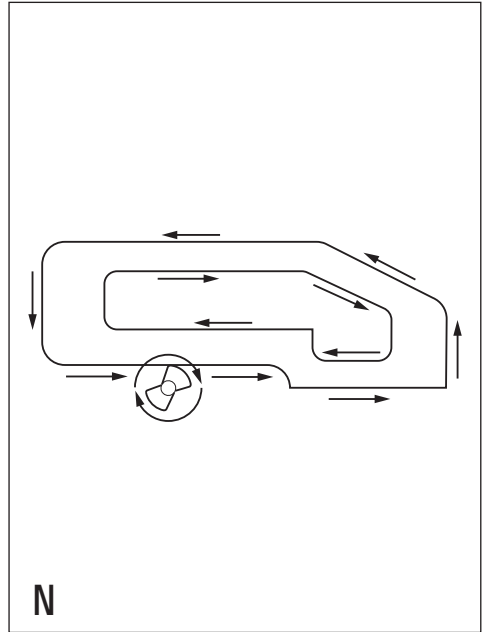
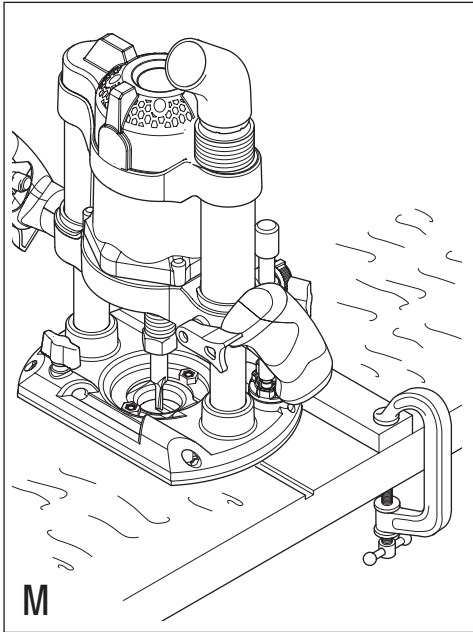








FRENCH



Utilisation prévue

Votre fraiseuse Black & Decker a été conçue pour fraiser le bois et les produits en bois. Cet outil a été conçu pour une utilisation exclusivement domestique.

Instructions de sécurité

Consignes de sécurité générales pour les outils électriques



Attention ! Prenez connaissance de tous les avertissements de sécurité et de toutes les instructions. Le non-respect des avertissements et des instructions indiqués ci-dessous peut entraîner une électrocution, un incendie ou de graves blessures.

Conservez tous les avertissements et instructions pour référence future. La notion d'« outil électroportatif » mentionnée par la suite se rapporte à des outils électriques raccordés au secteur (avec câble de raccordement) ou fonctionnant sur piles (sans fil).

1. Sécurité de la zone de travail

- Maintenez la zone de travail propre et bien éclairée. Un lieu de travail en désordre ou mal éclairé augmente le risque d'accidents.
- N'utilisez pas les outils électroportatifs dans un environnement présentant des risques d'explosion ni en présence de liquides, gaz ou poussières inflammables. Les outils électroportatifs génèrent des étincelles risquant d'enflammer les poussières ou les vapeurs.
- Tenez les enfants et autres personnes éloignés durant l'utilisation de l'outil électroportatif. En cas d'inattention, vous risquez de perdre le contrôle sur l'outil.

2. Sécurité électrique

- La fiche de secteur de l'outil électroportatif doit convenir à la prise de courant. Ne modifiez en aucun cas la fiche. N'utilisez pas de fiches d'adaptateur avec des outils ayant une prise de terre. Les fiches non modifiées et les prises de courant appropriées réduisent le risque d'électrocution.

- Évitez le contact physique avec des surfaces mises à la terre telles que tuyaux, radiateurs, fours et réfrigérateurs. Il y a un risque élevé d'électrocution si votre corps est relié à la terre.
- N'exposez pas l'outil électroportatif à la pluie ni à l'humidité. La pénétration d'eau dans un outil électroportatif augmente le risque d'électrocution.
- Préservez le câble d'alimentation. N'utilisez pas le câble à d'autres fins que celles prévues, notamment pour porter l'outil, l'accrocher voire le débrancher de la prise de courant. Maintenez le câble éloigné des sources de chaleur, des parties grasses, des bords tranchants ou des parties de l'outil en rotation. Un câble endommagé ou enchevêtré augmente le risque d'électrocution.
- Si vous utilisez l'outil électroportatif à l'extérieur, utilisez une rallonge homologuée pour utilisation à l'air libre. L'utilisation d'une rallonge électrique homologuée pour les applications extérieures réduit le risque d'électrocution.
- Si l'usage d'un outil dans un emplacement humide est inévitable, utilisez une alimentation protégée par un dispositif à courant différentiel résiduel (RCD). L'usage d'un RCD réduit le risque de choc électrique.

3. Sécurité personnelle

- Restez vigilant, surveillez ce que vous faites. Faites preuve de bon sens quand vous utilisez l'outil électroportatif. N'utilisez pas l'outil lorsque vous êtes fatigué ou après avoir consommé de l'alcool, des drogues voire des médicaments. Un moment d'inattention lors de l'utilisation de l'outil peut entraîner de graves blessures.
- Utilisez un équipement de protection personnelle. Portez toujours une protection pour les yeux. Les équipements de protection personnelle tels que les masques anti-poussières, chaussures de sécurité antidérapantes, casques ou protections acoustiques utilisés dans des conditions appropriées réduisent les blessures.

- c. Évitez toute mise en marche involontaire. Vérifiez que l'interrupteur est en position arrêt avant de brancher l'outil au secteur ou au bloc de batteries, de le prendre ou de le porter. Transporter les outils en avec le doigt sur l'interrupteur ou les brancher avec l'interrupteur en position de marche est une source d'accidents.
- d. Enlevez tout outil ou clé de réglage avant de mettre l'outil en marche. Une clé ou un outil se trouvant sur une partie en rotation peut causer des blessures.
- e. Adoptez une position confortable. Adoptez une position stable et gardez votre équilibre à tout moment. Vous contrôlerez mieux l'outil dans des situations inattendues.
- f. Portez des vêtements appropriés. Ne portez pas de vêtements flottants ou de bijoux. N'approchez pas les cheveux, vêtements ou gants des parties des pièces mobiles. Les vêtements amples, les bijoux ou les cheveux longs peuvent être attrapés dans les pièces en mouvement.
- g. Si des dispositifs servant à aspirer ou à recueillir les poussières doivent être utilisés, vérifiez qu'ils sont correctement raccordés et utilisés. Le fait d'aspirer la poussière permet de réduire les risques inhérents à la poussière.

4. Utilisation des outils électroportatifs et précautions

- a. Ne surchargez pas l'outil. Utilisez l'outil électroportatif approprié pour le travail à effectuer. Avec l'outil électroportatif approprié, vous travaillerez mieux et avec plus de sécurité à la vitesse pour laquelle il a été conçu.
- b. N'utilisez pas un outil électroportatif dont l'interrupteur est défectueux. Un outil électroportatif qui ne peut plus être mis en ou hors fonctionnement est dangereux et doit être réparé.

- c. Déconnectez la prise de la source d'alimentation ou le pack-batterie de l'outil électrique avant tout réglage, changement d'accessoire voire rangement des outils électriques. Cette mesure de précaution empêche une mise en marche par mégarde.
- d. Rangez les outils électroportatifs hors de portée des enfants. Ne laissez pas les personnes n'étant pas familiarisées avec l'outil ou n'ayant pas lu ces instructions l'utiliser. Les outils électroportatifs sont dangereux lorsqu'ils sont utilisés par des personnes non initiées.
- e. Prenez soin des outils électroportatifs. Vérifiez que les parties en mouvement fonctionnent correctement et qu'elles ne sont pas coincées ; vérifiez qu'il n'y a pas de pièces cassées ou endommagées susceptibles de nuire au bon fonctionnement de l'outil. S'il est endommagé, faites réparer l'outil avant de l'utiliser. De nombreux accidents sont dus à des outils électroportatifs mal entretenus.
- f. Maintenez les outils de coupe aiguisés et propres. Des outils soigneusement entretenus avec des bords tranchants bien aiguisés se coincent moins souvent et peuvent être guidés plus facilement.
- g. Utilisez l'outil électrique, les accessoires et forets, etc. conformément à ces instructions, en tenant compte des conditions de travail et des tâches à effectuer. L'utilisation des outils électroportatifs à d'autres fins que celles prévues peut entraîner des situations dangereuses.

5. Réparations

- a. Faites réparer votre outil électroportatif uniquement par du personnel qualifié et seulement avec des pièces de rechange d'origine. Cela garantira le maintien de la sécurité de votre outil.

Avertissements de sécurité supplémentaires pour les outils électriques



Attention ! Avertissements de sécurité supplémentaires pour les fraiseuses

- Tenez l'outil uniquement par les surfaces isolées des poignées. En effet, le foret de la fraiseuse peut entrer en contact avec son propre cordon électrique. Couper un câble sous tension met les parties métalliques de l'outil sous tension et peut provoquer une électrocution de l'utilisateur.
- Utilisez des fixations ou tout autre moyen pratique pour fixer et soutenir la pièce à ouvrir sur une plate-forme stable. Si vous tenez la pièce à la main ou contre votre corps, elle est instable et vous pouvez en perdre le contrôle.

Attention ! L'inhalation ou le contact avec des poussières de fraisage peut mettre en péril la santé de l'utilisateur et des personnes à proximité. Portez un masque contre la poussière spécialement conçu pour vous protéger des sciures et des fumées toxiques et veillez à ce que les personnes se trouvant à l'intérieur de la zone de travail ou y pénétrant soient également protégées.

- Enlevez soigneusement toute poussière après le fraisage.
- N'utilisez que des fraises ayant un diamètre de queue égal à la taille de la pince installée sur l'outil.
- N'utilisez que des fraises adaptées à la vitesse à vide de l'outil.
- N'utilisez jamais de fraises dont le diamètre soit supérieur au diamètre maximum indiqué au chapitre des renseignements techniques.
- N'utilisez pas cet outil en position inversée.
- Ne tentez pas d'utiliser l'outil en position fixe.
- Si le câble d'alimentation est endommagé, il doit être remplacé par le fabricant ou par un centre de réparation agréé Black & Decker afin d'éviter tout accident.

- Faites spécialement attention lorsque vous fraisez de la peinture pouvant être à base de plomb ou lorsque vous fraisez des bois pouvant produire de la poussière toxique :
 - Ne laissez pas les enfants ou les femmes enceintes entrer dans la zone de travail.
 - Ne mangez pas, ne buvez pas et ne fumez pas dans la zone de travail.
 - Nettoyez l'outil de toutes particules de poussière et autre débris.
- Le domaine d'utilisation de l'outil est décrit dans le présent manuel. L'utilisation d'accessoires ou la réalisation d'opérations avec cet outil autres que ceux recommandés dans le présent manuel peut entraîner un risque de blessure ou de dégâts.

Sécurité des tiers

- Cet appareil n'est pas destiné à être utilisé par des personnes (notamment des enfants) présentant des capacités physiques, sensorielles ou mentales limitées voire dépourvues de connaissance et d'expérience, sauf si elles sont supervisées ou ont reçu des instructions pour l'usage de l'appareil par une personne responsable de leur sécurité.
- Les enfants ne doivent pas jouer avec l'appareil.

Risques résiduels

L'utilisation d'un outil non mentionné dans les consignes de sécurité données peut entraîner des risques résiduels supplémentaires. Ces risques peuvent survenir si l'outil est mal utilisé, si l'utilisation est prolongée, etc.

Malgré l'application des normes de sécurité correspondantes et la présence de dispositifs de sécurité, les risques résiduels suivants ne peuvent être évités. Ceci comprend :

- Les blessures dues au contact avec une pièce mobile/en rotation.
- Les blessures causées en changeant des pièces, lames ou accessoires.
- Les blessures dues à l'utilisation prolongée d'un outil. Une utilisation prolongée de l'outil nécessite des pauses régulières.
- Déficience auditive.
- Risques pour la santé causés par l'inhalation de poussières produites pendant l'utilisation de l'outil (exemple : travail avec du bois, surtout le chêne, le hêtre et les panneaux en MDF).

Vibration

Les valeurs des émissions de vibrations mentionnées dans les données techniques et la déclaration de conformité ont été mesurées conformément à la méthode de test normalisée indiquée par EN60745 et permettent les comparaisons entre outils. Les valeurs des émissions de vibrations peuvent également servir à une évaluation préliminaire de l'exposition.

Attention ! Les valeurs des émissions de vibrations en utilisant réellement l'outil peuvent différer des valeurs déclarées en fonction du mode d'usage de l'outil. Le niveau de vibration peut dépasser le niveau indiqué.

Pour évaluer l'exposition aux vibrations afin de déterminer les mesures de sécurité imposées par 2002/44/CE pour protéger les personnes utilisant régulièrement des outils électriques, une estimation de l'exposition aux vibrations devrait prendre en compte les conditions réelles et le mode d'utilisation de l'outil, notamment l'ensemble du cycle de fonctionnement ainsi l'arrêt de l'outil et son fonctionnement au ralenti, outre le démarrage.

Étiquettes apposées sur l'outil

Les pictogrammes suivants sont présents sur l'outil :



Attention ! Afin de réduire les risques de blessures, l'utilisateur doit lire le manuel d'instructions.

Sécurité électrique



L'outil est doublement isolé ; par conséquent, aucun câble de masse n'est nécessaire. Vérifiez si le voltage mentionné sur la plaque signalétique de la machine correspond bien à la tension de secteur présente sur lieu.

- Si le câble d'alimentation est endommagé, il doit être remplacé par le fabricant ou par un centre de réparation agréé Black & Decker afin d'éviter tout accident.

Caractéristiques

1. Interrupteur marche/arrêt
2. Bouton de blocage
3. Poignée
4. Bouton de contrôle de vitesse variable
5. Levier de blocage en plongée
6. Bouton de blocage de l'axe
7. Pince de serrage
8. Butée de profondeur revolver
9. Barre de butée de profondeur
10. Déflecteur de sciures
11. Adaptateur d'extraction de poussière

Assemblage

Attention ! Avant l'assemblage, assurez-vous que l'outil est éteint et débranché.

Mise en place d'une fraise (fig. A)

- Retirez le déflecteur de sciures (10) en le tirant directement de la semelle de fraisage.

Attention ! Faites attention de ne pas plier le déflecteur de sciures.

- Tout en maintenant le bouton de blocage de l'axe enfoncé (6), faites tourner l'arbre jusqu'à ce que le bouton s'engage complètement.
- Dévissez l'écrou de la pince (17) à l'aide de la clé fournie.
- Insérez la queue de la fraise (18) dans la pince (7). Vérifiez que la queue dépasse d'au moins 3 mm de la pince, comme l'illustre la figure.
- Tout en maintenant le bouton de blocage de l'axe enfoncé (6), serrez l'écrou de la pince (17) avec la clé fournie.

Mise en place du sabot de guidage (fig. B)

Le sabot de guidage (12) vous aidera à guider l'outil pour qu'il travaille parallèlement à un bord.

- Insérez les barres (19) dans la base, comme sur l'illustration.
- Réglez le sabot de guidage à la distance voulue.
- Serrez les vis de fixation (20).

Mise en place de l'adaptateur d'extraction de poussière (fig. C)

L'adaptateur d'extraction de poussière vous permet de brancher un aspirateur sur l'outil.

- Montez l'adaptateur d'extraction de poussière (11) sur la sortie d'extraction de poussière comme indiqué.
- Branchez le tuyau (23) de l'aspirateur à l'adaptateur (11).

Mise en place du guide de gabarit (fig. D)

- Installez le guide de gabarit (13) sur la semelle de fraisage, en prenant soin de placer la bride vers le bas (pièce à ouvrir).
- Insérez les deux vis longues (24) du bas dans les trous placés dans le guide de gabarit et dans les trous de la base.
- Placez un écrou sur chacune de ces vis et serrez bien.

Mise en place de la pièce intercalaire (fig. E)

- Placez la pièce intercalaire (14) sur la base à l'aide des vis fournies.

Mise en place de la goupille de centrage (fig. F)

- Placez le sabot de guidage sur la fraiseuse comme illustré dans la fig. B, mais à l'envers.
- Placez la goupille de centrage (15) sur le côté pièce à ouvrir du sabot de guidage à l'aide de la vis (25) fournie.

Mise en place du suiveur de copie (fig. G)

- Placez le sabot de guidage sur la fraiseuse comme illustré en fig. B.
- Placez la barre en 'L' (16) sur le côté supérieur du sabot de guidage à l'aide des deux vis et des écrous fournis.
- Réglez l'accessoire rotatif (26) sur la barre en 'L' à l'aide de la vis papillon (27).

Mise en place du sabot de guidage additionnel (fig. H)

Le guide additionnel (21) permet de fraiser une pièce de bois très fine (ainsi le bord d'une porte).

- Réglez le sabot de guidage (12) selon les besoins.
- Desserrez les vis de fixation (28).
- Montez le sabot de guidage (21) sur les barres (19) sortant de la semelle de fraisage.

- Réglez le sabot de guidage afin que la pièce à ouvrir soit serrée entre les deux bords du sabot.
- Serrez les vis de fixation (28).

Utilisation

Attention ! Laissez l'outil fonctionner à sa propre vitesse. Ne le surchargez pas.

- Guidez le câble avec soin pour ne pas le couper par mégarde.

Réglage de la profondeur de coupe (fig. I, J & K)

La profondeur de coupe est égale à la distance X entre la barre de butée de profondeur (9) et la butée de profondeur (29). La profondeur de coupe est réglable de deux manières, qui sont décrites ci-dessous.

Réglage de la profondeur de coupe à l'aide de l'échelle (fig. J).

- Installez la fraise comme indiqué ci-dessus.
- Desserrez la vis de blocage (30).
- Tirez sur le levier de blocage de plongée (5).
- Rabaissez la fraiseuse jusqu'à ce que la fraise entre en contact avec la pièce à travailler.
- Poussez sur le levier de blocage de plongée (5).
- Déplacez la barre de butée de profondeur (9) contre la butée de profondeur avec le dispositif de réglage de la butée de profondeur (31). Réglez à nouveau l'échelle en alignant son repère zéro (32) avec la flèche (33).
- Déplacez la barre de butée de profondeur (9) sur la position calculée avec le dispositif de réglage de la butée de profondeur (31). Un quart de tour correspond à environ 6,25 mm.
- Serrez la vis de blocage (30).

- Un réglage fin est possible avec le bouton de réglage (34). Un tour correspond à 1 mm environ.
- Tirez sur le levier de blocage de plongée (5) et laissez la fraiseuse revenir sur sa position initiale.
- Allumez la fraiseuse, abaissez-la et faites la coupe voulue.

Réglage de la profondeur de coupe à l'aide d'un morceau de bois (fig. K)

- Insérez la fraise et abaissez la fraiseuse comme décrit précédemment.
- Desserrez la vis de blocage (30).
- Levez la barre de butée de profondeur (9) avec le dispositif de réglage de la butée de profondeur (31).
- Placez un morceau de bois d'une épaisseur égale à la profondeur de coupe voulue entre la butée de profondeur (29) et la barre de butée de profondeur (9).
- Abaissez la barre de butée de profondeur (9) contre la pièce de bois avec le dispositif de réglage de la butée de profondeur (31).
- Serrez la vis de blocage (30).
- Un réglage fin est possible avec le bouton de réglage (34).
- Retirez le morceau de bois.
- Tirez sur le levier de blocage de plongée (5) et laissez la fraiseuse revenir sur sa position initiale.
- Allumez la fraiseuse, abaissez-la et faites la coupe voulue.

Réglage de la butée de profondeur revolver (fig. L)

Après avoir tourné la butée de profondeur revolver sur le réglage voulu, vous pouvez faire un réglage précis de la butée de profondeur à utiliser. Si vous souhaitez effectuer plusieurs coupes de différentes profondeurs, réglez chacune des butées de profondeur.

- Tournez la vis de butée de profondeur (35) dans un sens ou dans l'autre, selon les besoins, à l'aide d'un tournevis.

Réglage de la vitesse

- Ajustez la vitesse souhaitée à l'aide du bouton de commande (4). Choisissez une vitesse élevée pour les fraises de petit diamètre. Choisissez une vitesse faible pour les fraises de grand diamètre.

Utilisation d'une latte de guidage (fig. M)

Lorsqu'il n'est pas possible d'utiliser le sabot de guidage, comme par exemple quand vous taillez des rainures sur le panneau arrière d'un meuble à étagères, procédez comme suit :

- Sélectionnez une pièce de bois avec un bord droit pour servir de latte de guidage.
- Placez la latte sur la pièce à ouvrir.
- Placez-la sur la position qui convient pour guider l'outil.
- Attachez solidement la latte sur la pièce à travailler.

Utilisation du guide de gabarit (fig. D)

Le guide de gabarit peut servir à découper une forme dans un gabarit, une lettre par exemple.

- Fixez le gabarit sur la pièce à ouvrir à l'aide d'adhésif double face ou avec des pinces en 'G'.
- La fraise doit passer sous la bride du guide de gabarit pour découper dans la pièce la forme du gabarit.

Utilisation de la pièce intercalaire (fig. E)

La pièce intercalaire peut servir à tailler des projections verticales dans du bois ou du contreplaqué.

Utilisation de la goupille de centrage (fig. F)

La goupille de centrage peut servir à découper des formes circulaires.

- Percez un trou pour repérer la place de la goupille de centrage au centre du cercle à découper.
- Placez la fraiseuse sur la pièce en prenant soin de placer le point de la goupille de centrage dans le trou percé au préalable.
- Réglez le rayon du cercle à l'aide des barres du sabot de guidage.
- Vous pouvez maintenant déplacer la fraiseuse sur la pièce pour découper un cercle.

Utilisation du suiveur de copie (fig. G)

Le suiveur de copie vous permet de préserver une distance de découpe égale le long du bord sur des pièces de formes irrégulières.

- Placez la fraiseuse sur la pièce à la distance souhaitée par rapport au bord à copier.
- Réglez les barres du sabot de guidage jusqu'à ce que la roulette soit bien en contact avec la pièce.

Démarrage et arrêt

Démarrage

- Enfoncez le bouton de blocage (2) et appuyez sur l'interrupteur de mise en marche (1).
- Relâchez le bouton de blocage.

Arrêt

- Relâchez l'interrupteur de mise en marche.

Attention ! Tenez toujours l'outil avec les deux mains.

Mortaisage

- Insérez la fraise et réglez à la profondeur de coupe voulue comme décrit auparavant.
- Tenez l'outil fermement avec les deux mains par les poignées (3), placez-le sur la pièce à ouvrir et allumez.

- Laissez l'outil prendre de la vitesse avant d'attaquer la pièce à ouvrir. Lorsque la barre de butée de profondeur est au contact, actionnez le levier de blocage de plongée (5).
- Travaillez en appliquant une force constante vers le bas ainsi que dans le sens de la coupe. Maintenez une prise ferme sur les poignées et soyez prêt pour une force de réaction potentielle si la fraise cale soudainement, par ex. suite à un contact avec un nœud.
- Une fois l'opération terminée, libérez le levier de blocage de plongée et contrôlez le mouvement vers le haut de l'outil, pour revenir en position d'origine. Lorsque l'outil est revenu en position d'origine, il peut être éteint. N'oubliez pas que la base comporte un ressort et que l'outil peut sauter en avant s'il n'est pas sous contrôle.

Vitesse de fraisage

La vitesse de travail de l'outil peut varier pour modifier le niveau de finition. La sélection de vitesse correcte dépend du niveau de finition souhaité, du type de matériau travaillé ainsi que du diamètre et de la forme de la fraise.

- Préparez l'outil pour un coupe d'essai sur une chute de matériau. Procédez à un réglage préliminaire de la commande de vitesse en sélectionnant une vitesse élevée pour une fraise de faible diamètre et une vitesse réduite pour une fraise plus grande.
- Une fois le fraisage terminé, retirez l'outil de la pièce à ouvrir, éteignez-le et vérifiez le niveau de finition. Réglez avec le variateur de vitesse (4) et répétez pour obtenir un niveau de finition optimal.

Attention ! Ne relâchez pas les poignées pour régler la vitesse si l'outil est en position abaissée et travaille la pièce à ouvrir.

Conseils pour une utilisation optimale

- Lorsque vous travaillez sur des bords externes, déplacez l'outil dans le sens anti-horaire (fig. N). Lorsque vous travaillez sur des bords internes, déplacez-le dans le sens des aiguilles d'une montre.
- Utilisez des fraises HSS pour le bois mou.
- Utilisez des fraises TCT pour le bois dur.
- Vous pouvez utiliser l'outil sans guidage (fig. O). Ceci vous permet d'effectuer des travaux d'écriture et des motifs. Ne faites que des coupes peu profondes.
- Reportez-vous au tableau ci-dessous pour consulter les modèles habituels de fraises.

KW1600EA - Fraises (fig. P)

Description	Application
Fraise droite (1)	Rainures et encoches
Fraise à ébarbage (2)	Ebarbage des panneaux stratifiés ou du bois dur; profilage précis avec un gabarit
Fraise à encoches (3)	Encoches sur des pièces de bois droites ou cintrées
Fraise à rainure en V (4)	Rainures, gravure et biseautage des bords
Fraise pour boîte à carotte (5)	Cannelure, gravure et moulurage de bords décoratifs
Fraise à gorge (6)	Moulurage de bords décoratifs
Fraise pour moulures en doucine (7)	Moulurage de bords décoratifs
Fraise à arrondi (8)	Arrondissement des bords
Fraise pour queue d'aronde (9)	Assemblages à queue d'aronde
Fraise à chanfrein (10)	Bords en biseau

Entretien

Votre outil a été conçu pour fonctionner pendant longtemps avec un minimum d'entretien. Un fonctionnement continu satisfaisant dépend d'un nettoyage régulier et d'un entretien approprié de l'outil.

Attention ! Avant d'effectuer tout entretien, éteignez et débranchez l'outil.

- Nettoyez régulièrement les orifices de ventilation de votre outil à l'aide d'une brosse douce ou d'un chiffon sec.
- Nettoyez régulièrement le compartiment du moteur à l'aide d'un chiffon humide. N'utilisez pas de produit abrasif ou à base de solvant.

Remplacement d'une prise électrique

En cas d'installation d'une nouvelle prise:

- Jetez l'ancienne prise.
- Connectez le fil marron sur la borne sous tension de la nouvelle prise.
- Connectez le fil bleu sur la borne neutre.
- Si le produit est de classe I (terre), connecter le fil vert / jaune sur la borne terre.

Attention! Si votre produit est de classe II avec double isolation (seulement 2 fils dans le cordon électrique), il n'y a aucune connexion à faire sur la borne terre.

Suivez les instructions de montage fournies avec les prises de bonne qualité

Tout fusible de rechange doit être du même calibre que le fusible d'origine fourni avec le produit.

Caractéristiques techniques

		KW1600E TYPE1
Tension	Vac	220-240
Puissance absorbée	W	1.600
Vitesse à vide	min ⁻¹	11.000 - 28.000
Pince de serrage (prise)		1/2" (12,7)/ 1/4" (6,35)/ 8 mm/ 6 mm
Diamètre max. de la fraise	mm	42
Profondeur max. de coupe	mm	60
Poids	kg	5,1

Protection de l'environnement



Collecte séparée. Ce produit ne doit pas être jeté avec les déchets domestiques normaux.

Si vous décidez de remplacer ce produit Black & Decker, ou si vous n'en avez plus l'utilité, ne le jetez pas avec vos déchets domestiques. Rendez-le disponible pour une collecte séparée.

- Black & Decker fournit un dispositif permettant de collecter et de recycler les produits Black & Decker lorsqu'ils ont atteint la fin de leur cycle de vie. Pour pouvoir profiter de ce service, veuillez retourner votre produit à un réparateur agréé qui se chargera de le collecter pour nous.
- Pour connaître l'adresse du réparateur agréé le plus proche de chez vous, contactez le bureau Black & Decker à l'adresse indiquée dans ce manuel. Vous pourrez aussi trouver une liste des réparateurs agréés de Black & Decker et de plus amples détails sur notre service après-vente sur le site Internet à l'adresse suivante : www.2helpU.com

Garantie

Lorsqu'un appareil Black & Decker s'avère defectueux en raison d'un défaut matériel ou de fabrication dans les 12 mois à compter de la date d'achat, Black & Decker garantit le remplacement des pièces defectueuses ou de l'appareil afin de minimiser les désagréments causés au client, à l'exclusion des cas suivants:

- Utilisation abusive de l'appareil ou appareil endommagé à cause de négligence.
- Appareil endommagé par d'autres appareils, des substances ou par accident.
- Réparations effectuées par des personnes autres qu'un réparateur agréé ou le service technique de Black & Decker.

Pour avoir recours à la garantie, il est nécessaire de fournir une preuve d'achat à votre revendeur ou à un réparateur agréé. Pour connaître l'adresse du réparateur agréé le plus proche, contactez le bureau Black & Decker à l'adresse indiquée dans ce manuel. Vous pouvez aussi trouver une liste des réparateurs agréés Black & Decker et de plus amples détails sur notre service après-vente en visitant notre site: www.2helpU.com.

Visitez notre site Web www.blackanddecker.ae pour enregistrer votre nouveau produit Black & Decker et être informé des nouveaux produits et des offres spéciales. Pour plus d'informations concernant la marque Black & Decker et notre gamme de produits, consultez notre site www.blackanddecker.ae

Names & Addresses for Black & Decker Service Concessionaries

ALGERIA: Sarl Outillage Corporation, 08 Rue Med Boudiaf - Cheraga - Algiers, Algeria. Tel: (213-21) 375130, Fax: (213-21) 369667. **AZERBAIJAN:** Royallton Holdings Ltd. 41 Khagani St. Apt. 47 AZ 1001, Baku. Tel: (994-12) 4935544, Fax: (994-12) 5980378. **BAHRAIN:** Alfouz Services Co. WLL., P.O. Box 26562, Tubli, Manama. Tel: (973) 17783562, Fax: (973) 17783479. **EGYPT:** El-Farab S.A.E 15 - Nabil El Wakkad Street, Dokki, Giza. Tel: (202) 37603946, Fax: 33352796. **ETHIOPIA:** Seif Tewfik Sherif, Arada Sub-City, Kebele 01/02, Global Insurance Building, 2nd Floor, Room 43, P.O. Box 2525, Addis Ababa, Ethiopia. Tel: (251-11) 1563968/ 1563969, Fax: (251-11) 1558009. **IRAQ:** Al Sard Co. for General Trading Ltd. Jbara Bldg. 3Flr, Al Rasheed St. Bagdad. Tel: (964) 18184102. Sakhar Group, Arrassat al-hindya Al Masbah, Bagdad. (964) 7400144446. **JORDAN:** Palestine Bldg. Matl. (Bashiti Hardware), 93 King Abdullah 2nd Street, Opp. ELBA House, P.O. Box 3005, Amman 11953, Tel: (962-6) 5349098, Fax: (962-6) 5330731. **KENYA:** Dextron Tools Ltd., P.O. Box 20121-00200, Shariff House, Kimathi Street, Nairobi. Tel: (254-20) 6905000/ 2358021, Fax: (254-20) 6905111/ 6905112. **KUWAIT:** Al Omar Technical Co., P.O. Box 4062, 13041 Safat, Kuwait. Tel: (965) 24848595/ 24840039, Fax: (965) 24845652. Fawaz Al Zayani Establishment, P.O. Box 42426, Shop No. 18, Al Humaizi Commercial Complex, Khalifa Al Jassim, Shuwaikh, Kuwait. Tel: (965) 24828710, Fax: (965) 24828716. **LEBANON:** Est. Shaya & Azar S.A.R.L., Boulevard, Jdeideh, Mar Takla-Bouchrieh, P.O. Box 90545, Jdeideh, Beirut. Tel: (961-1) 872305/ 872306, Fax: (961-1) 872303. **LIBYA:** (Benghazi) Snydel st., Amr Ibn EL-Aas Rd. Tel: (+218) 92 5771120. (Tripoli) Al Barniq Service Center, Makhazin elsukar st., ElFallah. Tel: (+218) 21 4808019. (Misrata) Al Hilal Service Center, Tawergha st. Tel: (+218) 51 2626743. **MAURITIUS:** Robert le Marie Limited, Old Moka Road, Bell Village, P.O. Box 161, Port Louis. Tel: (230) 2121865/ 2122847, Fax: (230) 2080843. **MOROCCO:** Ets. Louis Guillaud & Cie, 31, Rue Pierre Parent, Casablanca-21000. Tel: (+212) 522 305971, Fax: (+212) 522 444518. **NIGERIA:** Meridian Power Tools Ltd., Gr. Floor, #1 Alhaji Masha Road, Next to Teslim Balogun Stadium, Near National Stadium, Surulere, Lagos. Tel: (234-1) 7740431/ 7740410, Fax: (234-1) 7913798. **OMAN:** Al Jizzi Company LLC, P.O. Box 1704, P.C. 112 Ruwi, Oman. Tel: (968) 24832618/ 24835153, Fax: (968) 24831334. Al Hassan Technical & Construction Supplies Co. LLC., P.O. Box 1948, P.C. 112, Ruwi, Oman. Tel: (968) 24810575/ 24837054, Fax: (968) 24810287/ 248333080. Khimji Ramdas, P.O. Box 19, Post Code 100, Ghala, Muscat, Oman. Tel: (968) 24595906/ 907, Fax: (968) 24852752. Oman Hardware Co. LLC., P.O. Box 635, Ruwi-112. Tel: (968) 24815131, Fax: (968) 24816491. Oman Marketing & Service Co. (Omasco), P.O. Box 2734, Behind Honda Showroom, Wattayah, Oman. Tel: (968) 24560232/ 24560255, Fax: (968) 24560993. Oman Marketing & Service Co. (Omasco), Al Ohi, Sohar, Oman. Tel: (968) 26846379, Fax: (968) 26846379. Oman Marketing & Service Co. (Omasco), Sanaya, Salalah, Oman. Tel: (968) 23212290, Fax: (968) 23210936. **PAKISTAN:** Ammar Service & Spares, 60-Bank Arcade, Serai Road, Karachi, Pakistan. Tel: (92-21) 32426905, Fax: (92-21) 32427214. ZIT Co., Nasir & Bros., 2nd Floor, Qadri Center, Chowk Dalgran, Railway Road, Lahore. Tel: (92-42) 37670839, Fax: (92-42) 37652989. **QATAR:** Al Mufthah Service Centre, Al Wakrah Road, P.O. Box 875, Doha, Qatar. Tel: (974) 4650880/ 4650110/ 4446868, Fax: (974) 4441415/ 4662599. Shaheen Electrical Works & Trading Co. WLL., Gate 34, St.44 Industrial Area, P.O. Box 9756, Doha. Tel: (974) 4600230/ 4600525, Fax: (974) 4601338. Teyseer Industrial Supplies & Services Co. WLL., 55, Al Wakalat St. (Between St. 18 & 19) Salwa Industrial Area, P.O. Box 40523, Doha, Qatar. Tel: (974) 4581536, Fax: (974) 4682024. **SAUDI ARABIA:** (Al Bahr) Mohamed Ahmed Bin Aff Est., P.O. Box 530, Yanbu, Al Bahr. Tel: (966-4) 3222626/ 3228867, Fax: (966-4) 3222210. (Al Khobar) Fawaz Ebrahim Al Zayani Trading Est., P.O. Box 76026, Al Khobar # 31952, Tel: (966-3) 8140914, Fax: (966-3) 8140824. MSS (Al-Mojil Supply & Services) P.O. Box 450, Jubail 31951, Opp. Gulf Bridge Library & Riyadh House. Tel: (966-3) 3612850/ 3624487/ 3621729, Fax: (966-3) 3625859/ 3620783. (Dammam) Al Bawardi Tools & Hardware, P.O. Box 112, Dammam 31411. Tel: (966-3) 8330780/ 8348585 ext. 24, Fax: (966-3) 8336303. (Jeddah) Al Bawardi Tools & Hardware, P.O. Box 16905, Jeddah-21474. Tel: (966-2) 6444547, Fax: (966-2) 6439024. EAC (Al Yousef Contg. & Trdg. Est.), P.O. Box 30377, Jeddah-21477, Tel: (966-2) 6519912, Fax: (966-2) 6511153. (Madina) Garziz Trading for Bldg Mat & Decoration, P.O. Box 3364, Madina. Tel: (966-4) 8261490/ 8227636, Fax: (966-4) 8265741. (Riyadh) Al Bawardi Tools & Hardware, P.O. Box 68, Riyadh 11411. Tel: (966-1) 4484999, Fax: (966-1) 4487877. Industrial Material Organization (IMO), P.O. Box 623, Rail Street, Riyadh. Tel: (966-1) 4028010, Fax: (966-1) 4037970. Sulatn Garment factory (RSC), P.O. Box 29912, Riyadh 11467. Tel: (966-1) 4055148/ 4042889, Fax: (966) 4055148. **SOUTH AFRICA:** Trecco Power Tool Service 14 Steenbok Street, Koedoespoort, 0186, Pretoria, South Africa. Tel: (27-86) 1873826, Fax: (27-86) 5001771. **TANZANIA:** General Motors investment Ltd., P.O. Box 16541, 14 Nyerere Road, Vingunguti, Dar-es-Salaam. Tel: (255 22) 2862661/ 2865022, Fax: (255 22) 2862667. **TUNISIA:** Societe Tunisienne De Maintenance (STM), Rue de la Physique. Nouvelle Zone Industrielle Ben Arous., 2013 Ben Arous, Tunisia. Tel: (+216) 71 389687, Fax: (+216) 71 385154. **UAE:** (Abu Dhabi) Light House Electrical, P.O. Box 120, Abu Dhabi, Tel: (971-2) 6726131, Fax: (971-2) 6720667. (Ajman) Al Sukoon Gen. Trdg. Co. LLC, P.O. Box 2975, Ajman. Tel: (971-6) 7435725/ 7438317, Fax: (971-6) 7437350. (Al Ain) Zillion Equipment and Spare Parts Trading LLC, P.O. Box 19740, Opp. Bin Sadal/ Trimix Redymix Sanaiya, Al Ain. Tel: (971-3) 7216690, Fax: (971-3) 7216103. (Dubai) Alebrah Engineering Service, P.O. Box 78954, Al Qusais, Dubai. Tel: (971-4) 2850044, Fax: (971-4) 2844802. Black & Decker (Overseas) GmbH, P.O. Box 5420, Dubai, Tel: (971-4) 8127400/ 8127406, Fax: (971-4) 2822765. Ideal Star Workshop Eqpt. trading LLC, P.O. Box 37110, Al Quoz, Dubai. Tel: (971-4) 3474160, Fax: (971-4) 3474157. (Musaffah) Light House Electrical, P.O. Box 120, Abu Dhabi, Tel: (971-2) 5548315, Fax: (971-2) 5540461. (Sharjah) Mc Coy Middle East LLC, P.O. Box 25793, Sharjah, Tel: (971-6) 53595931, Fax: (971-6) 53595932. Burj Al Madeena, Industrial Area No.1, Opp. Pakistani Masjid, P.O. Box 37635, Sharjah, Tel: (971-6) 5337747, Fax: (971-6) 5337719. (Ras Al Khaimah) Mc Coy Middle East LLC, P.O. Box 10584, Ras Al Khaimah, Tel: (971-7) 2277095, Fax: (971-7) 2277096. **UGANDA:** The Building Center (U) Ltd., 52 Station Road, Kitgum House, P.O. Box 7436, Kampala, Uganda. Tel: (256-41) 4234567/ 4259754, Fax: (256-41) 4236413. **YEMEN:** (Aden) Middle East Trad. Co. Ltd. (METCO), Mualla Dakka, Aden, Yemen. Tel: (967-2) 222670, Fax: (967-2) 222670. (Sana'a) Middle East Trad. Co. Ltd. (METCO), Hayel St., Sana'a, Yemen. Tel: (967-1) 204201, Fax: (967-1) 204204. (Taiz) Middle East Trading Co. (METCO), P.O. Box 12363, 5th Flr, Hayel Saeed Anam Bldg, Al-Mugamma St. Taiz, Yemen. Tel: (967-4) 213455, Fax: (967-4) 219869.



WARRANTY REGISTRATION CARD

YOUR NAME/ الإسم

YOUR ADDRESS العنوان

POSTCODE الرمز البريدي

DATE OF PURCHASE تاريخ الشراء

DEALER'S NAME & ADDRESS/ إسم وعنوان البائع

A large, empty rounded rectangular box intended for a signature or stamp.

PRODUCT MODEL NO. KW1600

